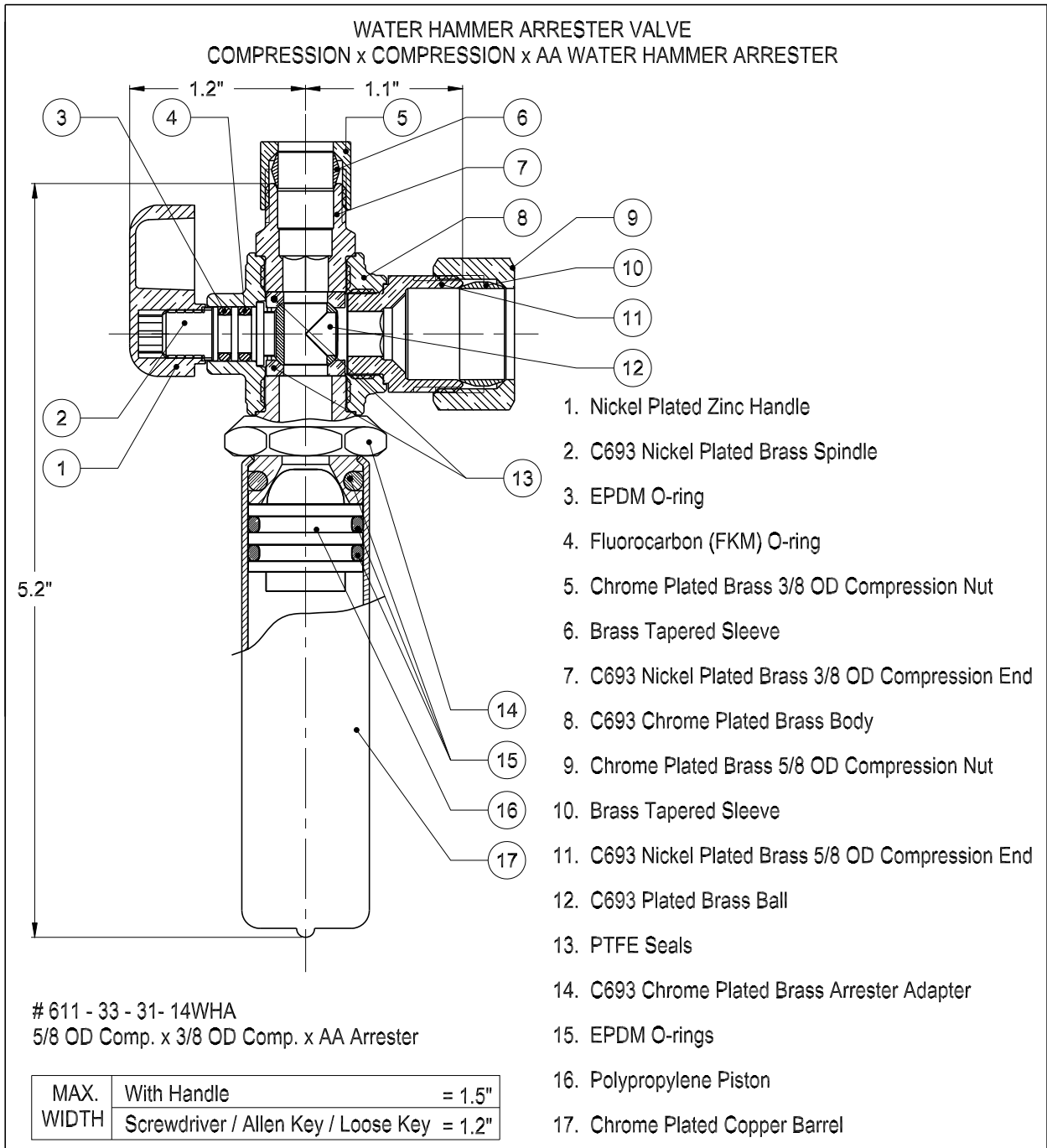


# dahl-ECO mini-ball™ Valve

Plumbing

TDS - 316-LF  
New Mar/14



Working Pressure: 250 psi / 250°F  
depending on pipe material.

 , UPC  
NSF / ANSI 61-G

Designed and Manufactured in  
Canada

AA Size Water Hammer Arrester - ASSE 1010 Listed

Wetted surface area contains <0.1wt% weighted average lead.

Also available with Screwdriver, Allen or Loose Key operation



**dahl brothers canada limited**

2600 S. SHERIDAN WAY, MISSISSAUGA, ON, CANADA L5J 2M4  
905-822-2330 CAN 800-268-5355 U.S. 800-268-2363  
FAX(905) 855-1450, USA AND CANADA 800-226-1801  
[sales@dahlvalve.com](mailto:sales@dahlvalve.com) [www.dahlvalve.com](http://www.dahlvalve.com)

We reserve the right to alter prices and/or technical details without notice