



OATEY® QUARTER TURN STRAIGHT VALVES TECHNICAL SPECIFICATION

Job Name _____	Item # _____
Location _____	
Engineer _____	Contractor _____
PO # _____	Tag _____
Representative _____	

SPECIFICATIONS

Oatey® Quarter Turn Straight Valves shall be used in residential or commercial applications requiring distribution of potable hot and cold water that are in accessible locations only. The valves can be used for the following: faucets, water coolers, refrigerators, ice makers, dishwashers and instantaneous hot water dispensers. The valves are built from high quality materials and shall contain a brass forged chrome-plated body and solid brass stem as well as a solid brass chrome-plated ball. Oatey quarter turn angle valves shall be quarter turn, feature a full-size handle and feature PTFE seats to allow for easy operability of the valve. The valves shall also feature a double o-ring seal on the stem connection to the ball. The valve shall also be available in multiple inlet and outlet connection types to meet desired applications and water supply line connections. Oatey quarter turn and valves shall meet the necessary listings and certifications required under NSF, ANSI and ASME, as well as be UPC listed.

APPROVALS AND LISTINGS

Listings & Certifications	
NSF/ANSI/CAN 61-2021	IAPMO Certified
NSF/ANSI/CAN 372-2022	IAPMO Certified
ASME A112.18.1-2018/ CSA B125.1-18	IAPMO Certified
UPC	IAPMO Certified

FEATURES & MATERIALS

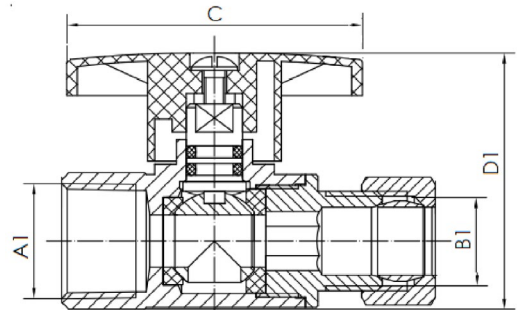
Operating Specifications	
Temperature	40F to 160F
Pressure	125 PSI Maximum

Component	Material Composition
Handle Screw	Stainless Steel
Handle	ABS, Chrome Plated
Stem	Brass
Stem O-Ring	NBR
Stop Body	Low Lead Brass, Chrome Plated
Ball Disc Packing	PTFE
Ball	Low Lead Brass, Chrome Plated
Outlet Plug	Low Lead Brass, Chrome Plated
Compression Ring	Brass, Chrome Plated
Compression Nut	Brass, Chrome Plated
Slip Joint sleeve	NBR
Female Comp Adapter	Brass

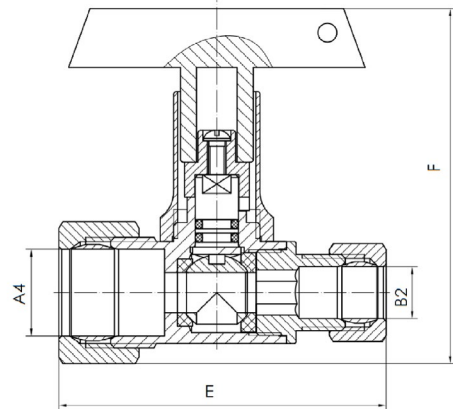


4754PCLF

STANDARD HANDLE



LOOSE-KEY HANDLE



Access BIM/Revit content through www.oatey.com



OATEY® QUARTER TURN STRAIGHT VALVES TECHNICAL SPECIFICATION

Job Name _____	Item # _____
Location _____	
Engineer _____	Contractor _____
PO # _____	Tag _____
Representative _____	

FIP x Compression

Select ✓	Product Number	Item Description	Connection 1	Connection 2	Dimension A	Dimension B	Packaging Type	Ctn Qty
	4750PCLF	QUARTER TURN STRAIGHT STOP 3/8 FIP X 3/8 OD COMP	3/8 FIP	3/8 OD	1.73	1.40	Box	24
	4750PCLFBG	QUARTER TURN STRAIGHT STOP 3/8 FIP X 3/8 OD COMP BAGGED	3/8 FIP	3/8 OD	1.73	1.40	Bag	60
	4751PCLF	QUARTER TURN STRAIGHT STOP 1/2 FIP X 3/8 OD COMP	1/2 FIP	3/8 OD	1.73	1.50	Box	24
	4751PCLFBG	QUARTER TURN STRAIGHT STOP 1/2 FIP X 3/8 OD COMP BAGGED	1/2 FIP	3/8 OD	1.73	1.50	Bag	60
	4752PCLF	QUARTER TURN STRAIGHT STOP 1/2 FIP X 1/2 OD COMP	1/2 FIP	1/2 OD	1.73	1.50	Box	12
	4753PCLF	QUARTER TURN STRAIGHT STOP 1/2 FIP X 7/16 OD SLIP JOINT	1/2 FIP	7/16 OD	1.73	1.60	Box	24

Compression x Compression

Select ✓	Product Number	Item Description	Connection 1	Connection 2	Dimension A	Dimension B	Packaging Type	Ctn Qty
	4754PCLF	QUARTER TURN STRAIGHT STOP 3/8 OD x 3/8 OD	3/8 OD Copper	3/8 OD	1.73	1.40	Box	12
	4755PCLF	QUARTER TURN STRAIGHT STOP 1/2 NOM COMP X 3/8 OD	1/2 NOM Copper	3/8 OD	1.73	1.40	Box	24
	4755PCLFBG	QUARTER TURN STRAIGHT STOP 1/2 NOM COMP X 3/8 OD BAGGED	1/2 NOM Copper	3/8 OD	1.73	1.40	Bag	60
	4757PCLFBG	QUARTER TURN STRAIGHT STOP 1/2 NOM COMP X 1/2 OD BAGGED	1/2 NOM Copper	1/2 OD	1.73	1.60	Box	24
	4757PCLF	QUARTER TURN STRAIGHT STOP 1/2 NOM COMP X 1/2 OD	1/2 NOM Copper	3/8 OD	1.73	1.60	Bag	60
	4760PCLF	QUARTER TURN STRAIGHT STOP 3/8 NOM COMP X 3/8 OD, 3/8 NOM COPPER	3/8 NOM Copper	3/8 NOM	1.73	1.60	Box	24

Coarse Thread x Compression

Select ✓	Product Number	Item Description	Connection 1	Connection 2	Dimension A	Dimension B	Packaging Type	Ctn Qty
	4756PCLF	QUARTER TURN STRAIGHT STOP 5/8 OD X 7/16-1/2 OD SLIP JOINT	5/8 OD	7/16-1/2 OD	1.73	1.60	Box	12
	4758PCLF	QUARTER TURN STRAIGHT STOP 5/8 OD COARSE THREAD (1/2 NOM COMP) X 3/8 OD	1/2 NOM	3/8 OD	1.73	1.60	Box	24
	4759PCLF	QUARTER TURN STRAIGHT STOP 5/8 OD COARSE THREAD (1/2 NOM COMP) X 7/16 OD SLIP JOINT	1/2 NOM	7/16 OD	1.73	1.60	Box	12

Access BIM/Revit content through www.oatey.com



OATEY® QUARTER TURN STRAIGHT VALVES TECHNICAL SPECIFICATION

Job Name _____	Item # _____
Location _____	
Engineer _____	Contractor _____
PO # _____	Tag _____
Representative _____	

Sweat x Compression

Select ✓	Product Number	Item Description	Connection 1	Connection 2	Dimension A	Dimension B	Packaging Type	Ctn Qty
	4761PCLF	QUARTER TURN STRAIGHT STOP 1/2 COPP SWEAT X 3/8 OD	1/2 COPP SWEAT	3/8 OD	1.73	1.40	Box	24
	4761PCLFBG	QUARTER TURN STRAIGHT STOP 1/2 COPP SWEAT X 3/8 OD BAGGED	1/2 COPP SWEAT	3/8 OD	1.73	1.40	Bag	60

CPVC x Compression

Select ✓	Product Number	Item Description	Connection 1	Connection 2	Dimension A	Dimension B	Packaging Type	Ctn Qty
	4763PCLF	QUARTER TURN STRAIGHT STOP 1/2 NOM CPVC X 3/8 OD	1/2 NOM CPVC	3/8 OD	1.73	2.96	Box	24
	4763PCLFBG	QUARTER TURN STRAIGHT STOP 1/2 NOM CPVC X 3/8 OD BAGGED	1/2 NOM CPVC	3/8 OD	1.73	2.96	Bag	60

PEX x Compression

Select ✓	Product Number	Item Description	Connection 1	Connection 2	Dimension A	Dimension B	Packaging Type	Ctn Qty
	4764PCLF	QUARTER TURN STRAIGHT STOP 1/2 NOM CRIMP X 3/8 OD, 1/2 NOM PEX	1/2 NOM PEX	3/8 OD	1.73	1.40	Box	24
	4764PCLFBG	QUARTER TURN STRAIGHT STOP 1/2 NOM CRIMP X 3/8 OD, 1/2 NOM PEX, BAGGED	1/2 NOM PEX	3/8 OD	1.73	1.40	Bag	60

FIP x FIP

Select ✓	Product Number	Item Description	Connection 1	Connection 2	Dimension A	Dimension B	Packaging Type	Ctn Qty
	4765PCLF	QUARTER TURN STRAIGHT STOP 1/2 FIP X 1/2 FIP	1/2 FIP	1/2 FIP	1.73	1.50	Box	24

FIP x Flare

Select ✓	Product Number	Item Description	Connection 1	Connection 2	Dimension A	Dimension B	Packaging Type	Ctn Qty
	4766PCLF	QUARTER TURN STRAIGHT STOP 1/2 FIP X 3/8 OD FLARE	1/2 FIP	3/8 OD	1.73	1.50	Box	24

Repair

Select ✓	Product Number	Item Description	Connection 1	Connection 2	Dimension A	Dimension B	Packaging Type	Ctn Qty
	4767PCLF	QUARTER TURN STRAIGHT STOP 3/8 COMP FEMALE CAPTURED NUT X 3/8 OD	3/8 COMP	3/8 OD	1.73	1.40	Box	24
	4768PCLF	QUARTER TURN STRAIGHT STOP 1/2 FIP CAPTURED NUT X 3/8 OD	1/2 FIP	3/8 OD	1.73	1.60	Box	24

Access BIM/Revit content through www.oatey.com



OATEY® QUARTER TURN STRAIGHT VALVES TECHNICAL SPECIFICATION

Job Name _____	Item # _____
Location _____	
Engineer _____	Contractor _____
PO # _____	Tag _____
Representative _____	

Push Connect x Compression

Select ✓	Product Number	Item Description	Connection 1	Connection 2	Dimension A	Dimension B	Packaging Type	Ctn Qty
	4769PCPOLF	QUARTER TURN STRAIGHT STOP 1/2 NOM PUSH CONNECT X 3/8 OD COMP	1/2 NOM	3/8 OD	1.73	2.60	Box	24
	4769PCPOBG	QUARTER TURN STRAIGHT STOP 1/2 NOM PUSH CONNECT X 3/8 OD COMP BAGGED	1/2 NOM	3/8 OD	1.73	2.60	Bag	60
	4770PCPOLF	QUARTER TURN STRAIGHT STOP 1/2 NOM PUSH CONNECT X 7/16 OD SLIP JOINT	1/2 NOM	7/16 OD	1.73	2.60	Box	24

F1960 X Compression

Select ✓	Product Number	Item Description	Connection 1	Connection 2	Dimension A	Dimension B	Packaging Type	Ctn Qty
	4771PCLFBG	QUARTER TURN STRAIGHT STOP 1/2 F1960 X 3/8 OD BAGGED	1/2 F1960	3/8 OD	1.73	1.40	Bag	60

Sweat with 5" Extension

Select ✓	Product Number	Item Description	Connection 1	Connection 2	Dimension A	Dimension B	Packaging Type	Ctn Qty
	4772PCLF	QUARTER TURN STRAIGHT STOP 1/2 NOM SWEAT W/5" EXT X 3/8 OD	1/2 NOM	3/8 OD	1.73	7.50	Box	24

Loose Key SKUs

Compression x Compression

Select ✓	Product Number	Item Description	Connection 1	Connection 2	Dimension A	Dimension B	Packaging Type	Ctn Qty
	4798PCLKBG	QUARTER TURN LOOSE KEY STRAIGHT STOP 1/2 NOM X 3/8 OD BAGGED	1/2 NOM Copper	3/8 OD	2.40	2.60	Bag	60

Sweat x Compression

Select ✓	Product Number	Item Description	Connection 1	Connection 2	Dimension A	Dimension B	Packaging Type	Ctn Qty
	4799PCLKBG	QUARTER TURN LOOSE KEY STRAIGHT STOP 1/2 NOM SWEAT X 3/8 OD BAGGED	1/2 COPP SWEAT	3/8 OD	2.40	2.60	Bag	60

Access BIM/Revit content through www.oatey.com