

**SUBMITTAL SHEET**

JOB NAME		ITEM TAG
JOB LOCATION		PART NUMBER
CONTRACTOR	DATE	
ENGINEER APPROVAL	DATE	



**NO LEAD FULL PORT PRESS-TO-CONNECT BALL VALVE WITH WASTE**

**P-202NL LegendPress**

Lead-free construction is suitable for all no-lead potable water installations, in full compliance of the National lead-free plumbing law.

Press-to-connect end connections are designed for installation onto ASTM B88 types K, L and M hard-drawn copper tubing. Coiled (annealed) soft copper tubing is not recommended, but can be used if ends are made round.

Eliminating the need for soldering, press-type connections reduce labor and material costs and eliminate the fire hazard associated with the soldering process.

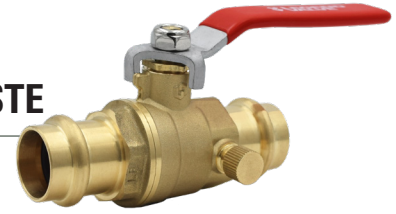
End connections are compatible with commercially-available VUS profile jaws.

Waste drain allows line to be drained for maintenance or to prevent freeze-up; an ideal isolation/winterization valve for exterior sillcock installations.

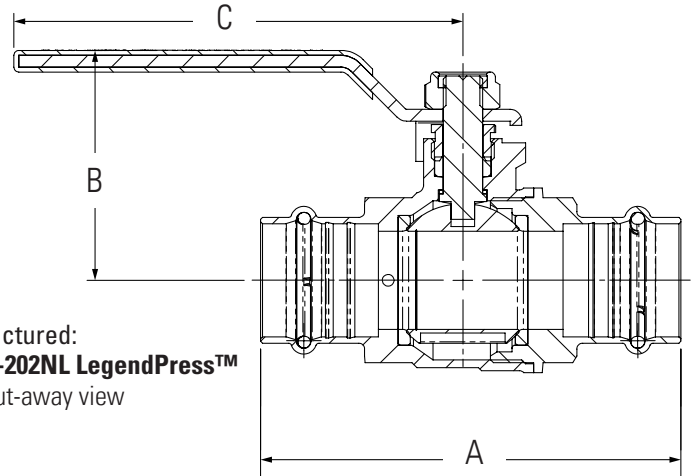
Available in nominal CTS sizes 1/2" to 1".

**Working Pressure, Non Shock (PSI)**

- Cold working pressure (CWP): 250 psi
- Saturated steam (WSP): Not suitable for steam service
- Maximum Service Temperature: 180°F



Pictured:  
**P-202NL LegendPress™**

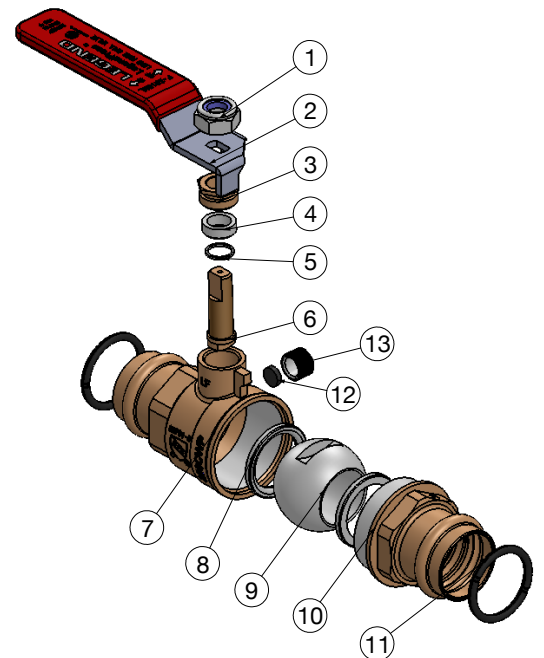


Pictured:  
**P-202NL LegendPress™**  
Cut-away view

MATERIAL SPECIFICATION		
PART	MATERIAL	SPECIFICATION
1 Handle nut	Zinc plated steel with plastic anti-vibration insert (Nylor™ nut)	ASME SA6, SA283 Grade C and *Nylon™
2 Handle	Zinc plated steel	ASME SA6, SA283 Grade C
3 Packing nut	Forged brass	ASTM B455 UNS C38500
4 Stem packing	PTFE	FR101 resin
5 Thrust washer	PTFE	FR101 resin
6 Stem	Lead-free forged brass	UNS Alloy C46500
7 Body	Lead-free forged brass	UNS Alloy C46500
8 Seats (2)	PTFE	FR101 resin
9 Ball	Chrome-plated lead-free forged brass	UNS Alloy C46500
10 End adapter	Lead-free forged brass	UNS Alloy C46500
11 Socket O-rings (1 per socket)	EPDM	Commercial grade
12 Waste cap seal	EPDM	Commercial grade
13 Waste cap	Forged brass	ASTM B455 UNS C38500

\*Nylon is registered trademark of the Dow DuPont Company.

DIMENSIONS				
Size	A	B	C	Tubing insertion depth:
1/2"	3.50	1.65	3.82	1.10 (1-3/32")
3/4"	3.94	1.93	3.82	1.18 (1-3/16")
1"	4.21	2.30	4.49	1.18 (1-3/16")



Pictured:  
**P-202NL LegendPress™**  
Exploded view

**Certifications/Listing:**

All Model P-202NL ball valves are third-party certified to the following standards and/or codes:  
ANSI/NSF 61: Drinking water system components health effects.  
ANSI/NSF 372: Drinking water system components lead content.