

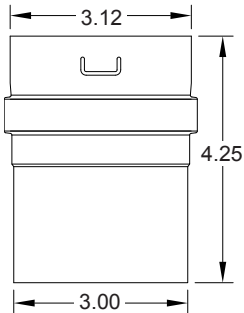


CORR/GUARD®
Special Gas Vent
Appliance Adapters

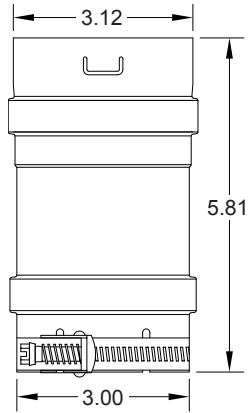
Metal-Fab, Inc. CORR/GUARD® Appliance Adapters

3" Adapters

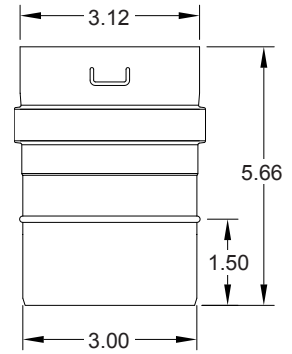
3CGBA



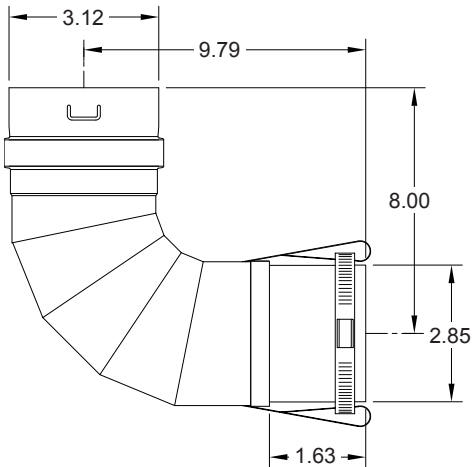
3CGBA2



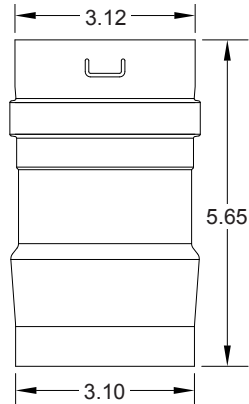
3CGBMA



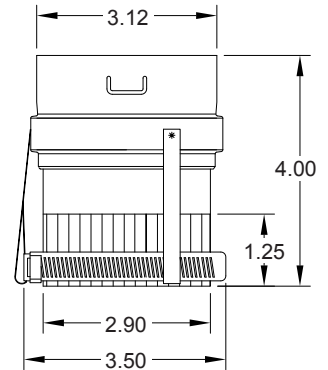
3CGHEA



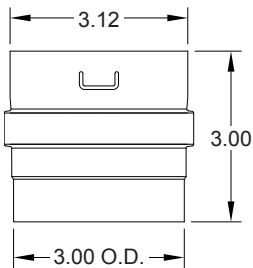
3CGHFA



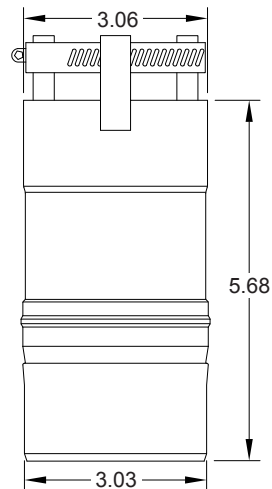
3CGIA



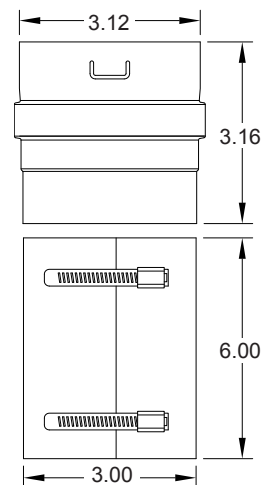
3CGLA



3CGMBA

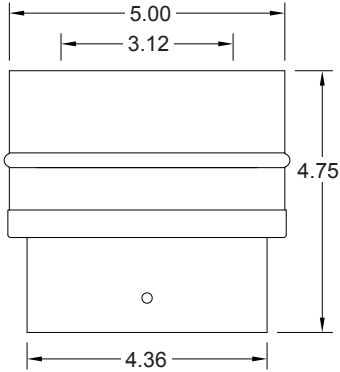


3CGOA

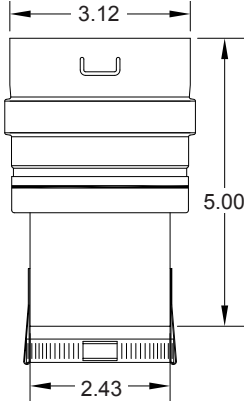


Metal-Fab, Inc. CORR/GUARD® Appliance Adapters 3" Adapters

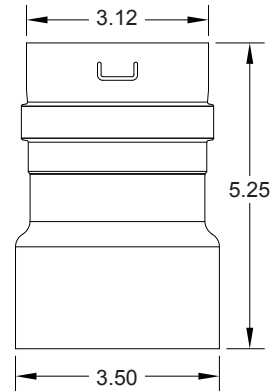
**3CGPA
3CGVPA**



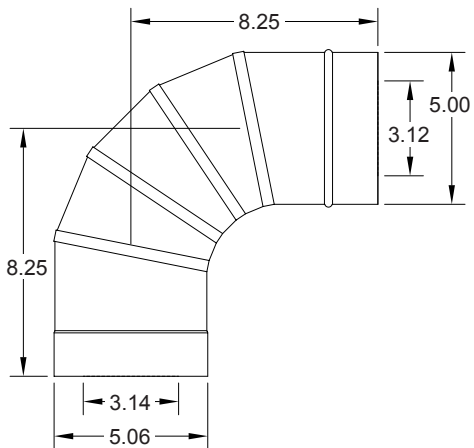
**3CGSWPA
3CGVSWPA**



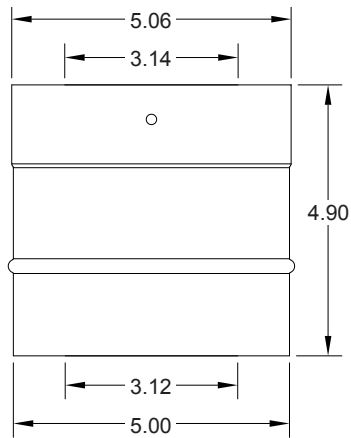
3CGPVCA



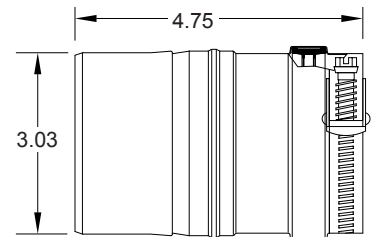
3CGRLSH



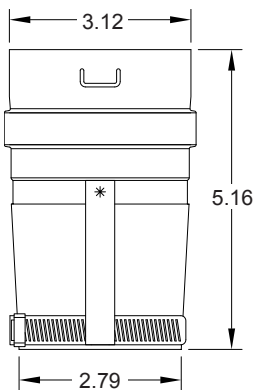
3CGRLSV



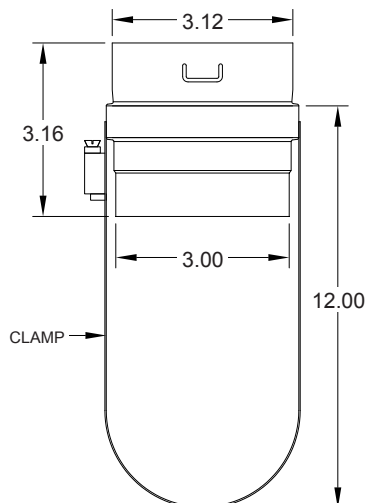
3CGVUHA



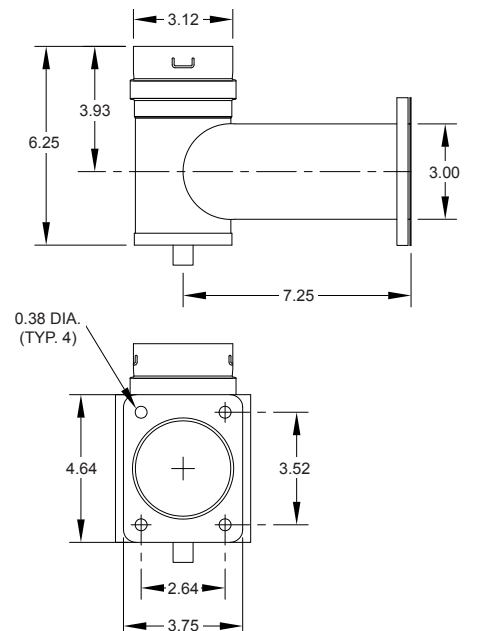
3CGWA



3CGWLA



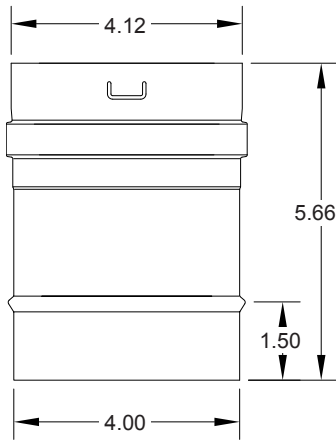
3CGWTA



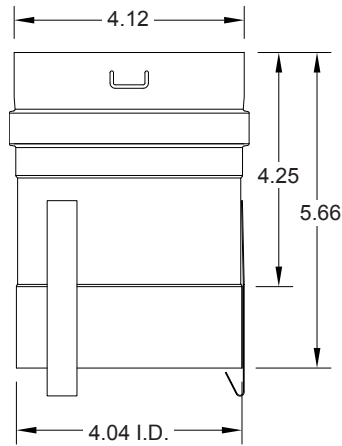
Metal-Fab, Inc. CORR/GUARD® Appliance Adapters

4" Adapters

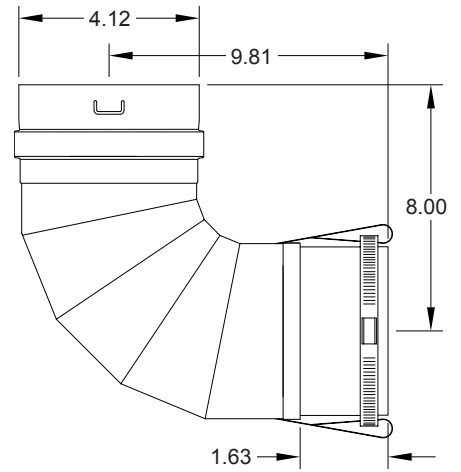
4CGBMA



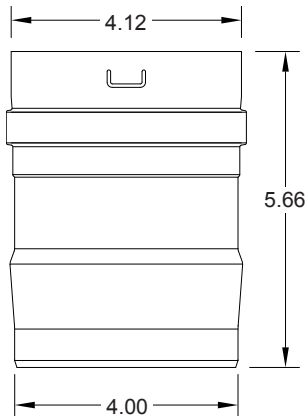
4CGHA



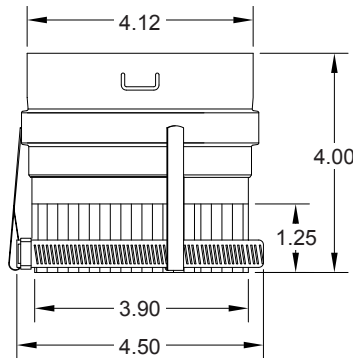
4CGHEA



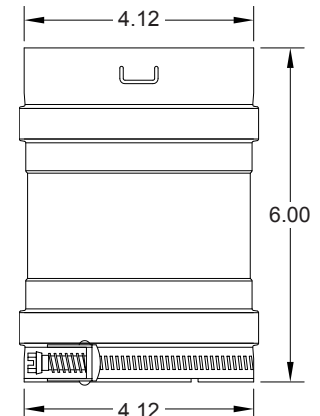
4CGHFA



4CGIA

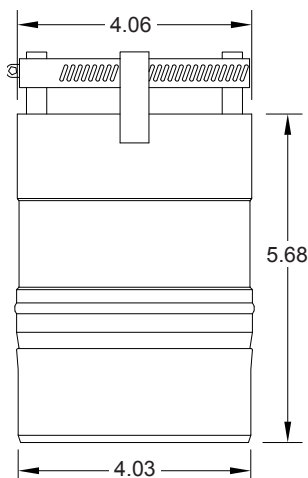


**4CGIA2
4CGIA2BP***

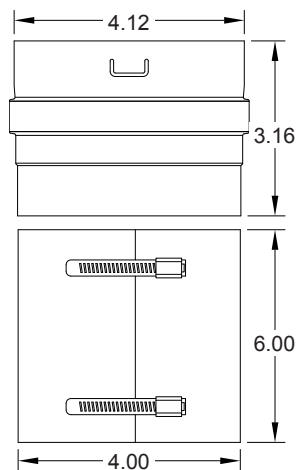


*BP has built-in backflow preventer

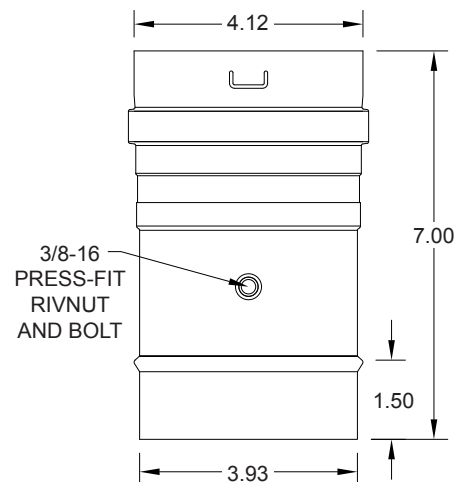
4CGMBA



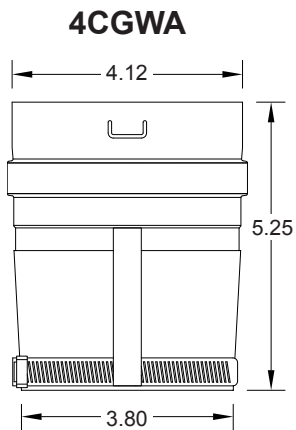
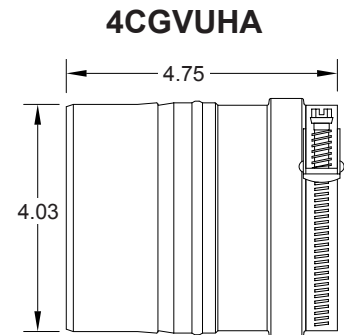
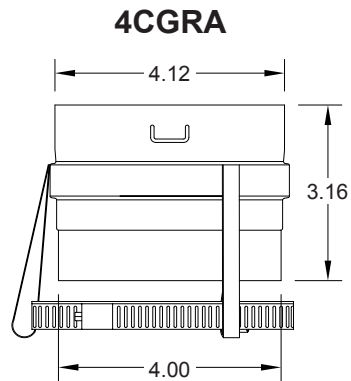
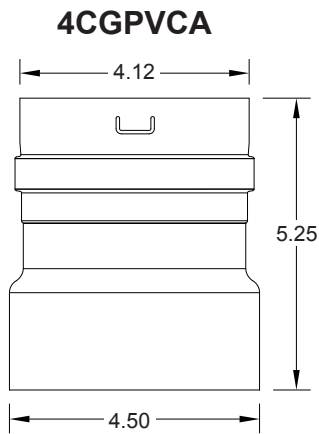
4CGOA



4CGPKA

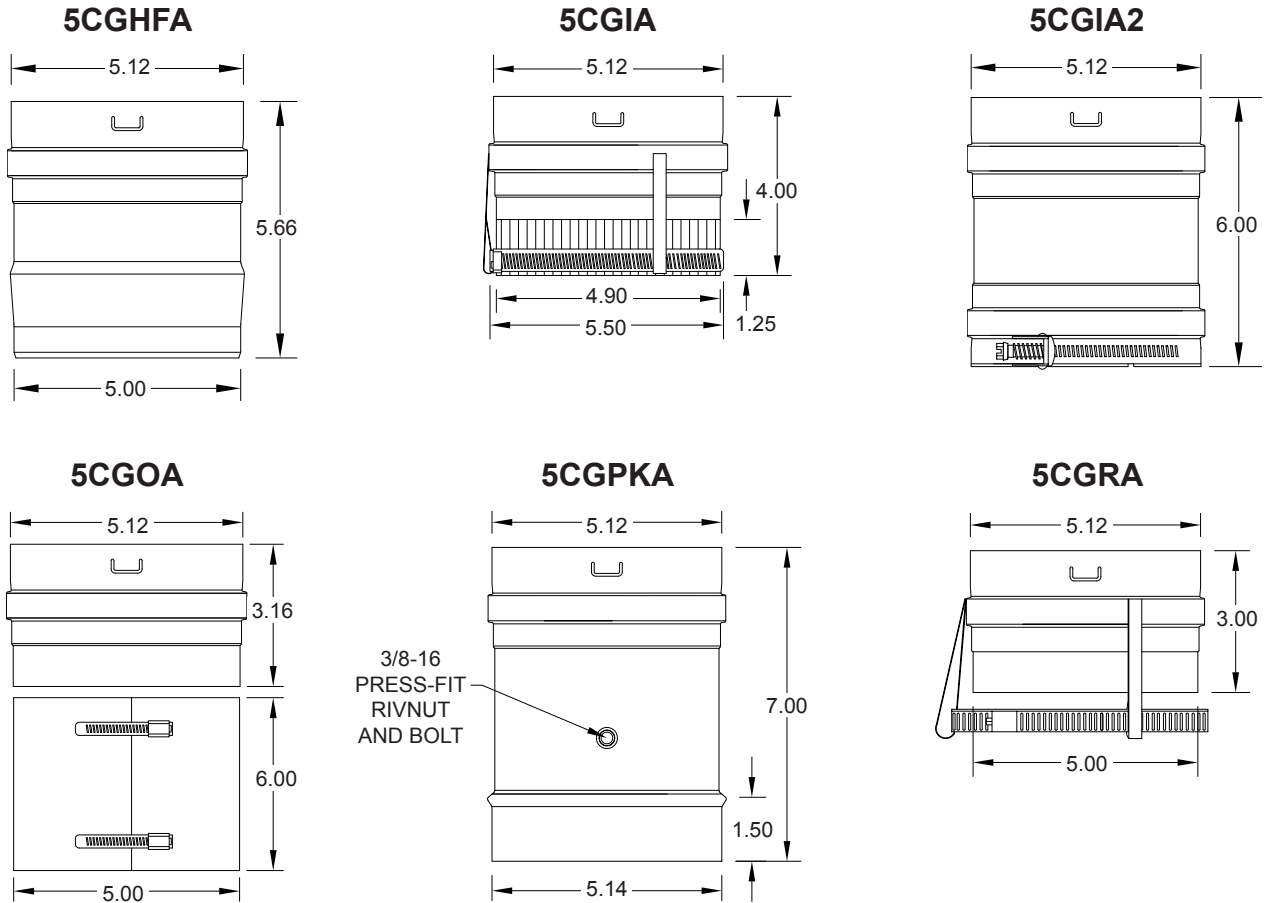


Metal-Fab, Inc. CORR/GUARD® Appliance Adapters 4" Adapters

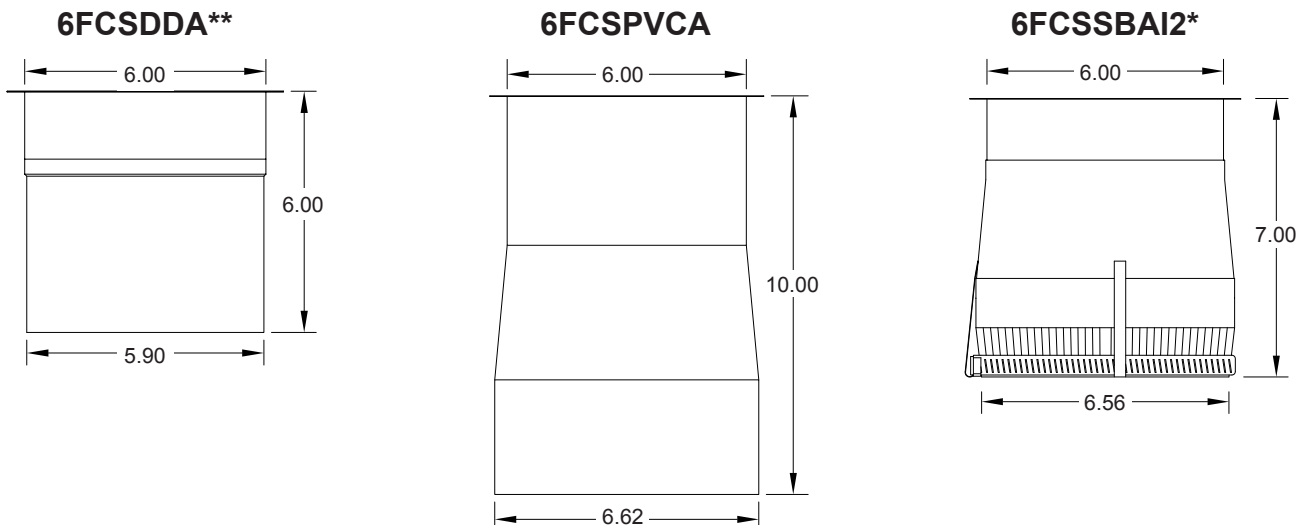


Metal-Fab, Inc. CORR/GUARD® Appliance Adapters

5" Adapters



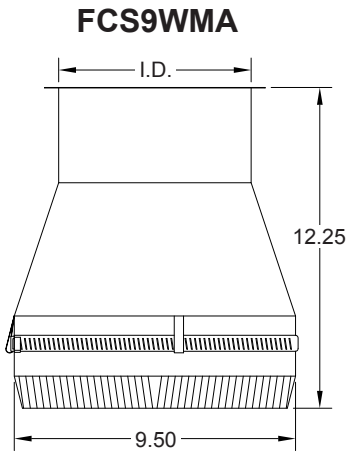
6" FCS Adapters



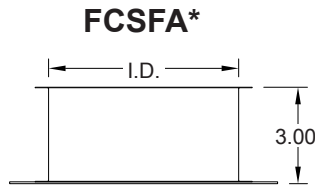
* Includes casing end closure

** Non-standard part, extended leadtimes may apply.

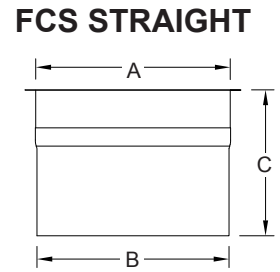
Metal-Fab, Inc. CORR/GUARD® Appliance Adapters 6" and Larger FCS Adapters



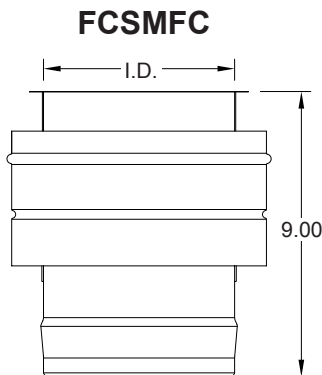
	I.D.
6FCS9WMA**	6.00
8FCS9WMA**	8.00



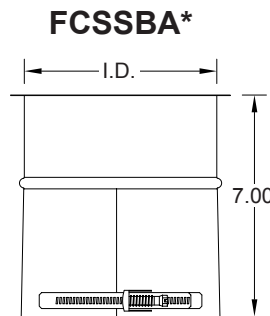
	I.D.
6FCSFA	6.00
8FCSFA	8.00
10FCSFA**	10.00
12FCSFA**	12.00
14FCSFA**	14.00



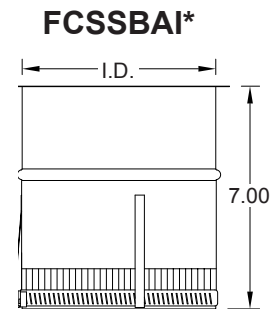
	A	B	C
6FCSLXL	6.00	6.00	6.00
7FCSLCA	7.00	7.00	6.00
8FCSPKA	8.00	7.90	6.00
8FCSLCA	8.00	8.00	6.00
9FCSLCA**	9.00	9.00	6.00
10FCSPKA	10.00	9.79	6.00
10FCSPKA2	10.00	10.00	6.00
14FCSLCA**	14.00	14.00	6.00
14FCSSBA**	14.00	13.77	10.00
16FCSSBA**	16.00	15.74	10.00
18FCSSBA**	18.00	17.71	10.00



	I.D.
6FCSMFC	6.00
8FCSMFC	8.00
10FCSMFC	10.00
12FCSMFC	12.00
14FCSMFC	14.00
16FCSMFC	16.00
18FCSMFC	18.00
20FCSMFC	20.00
22FCSMFC	22.00
24FCSMFC	24.00



	I.D.
6FCSSBA	6.00
7FCSSBA	7.00
8FCSSBA	8.00
9FCSSBA	9.00
10FCSSBA	10.00
12FCSSBA	12.00
14FCSSBA	14.00
16FCSSBA	16.00
18FCSSBA	18.00
20FCSSBA	20.00



	I.D.
6FCSSBAI	6.00
7FCSSBAI	7.00
8FCSSBAI	8.00
9FCSSBAI	9.00
10FCSSBAI	10.00
12FCSSBAI	12.00
14FCSSBAI	14.00
16FCSSBAI	16.00
18FCSSBAI	18.00
20FCSSBAI	20.00

* Includes casing end closure

** Non-standard part, extended leadtimes may apply.

