

SERVICE MANUAL

4SHP17LE/4HP17L



This is a safety alert symbol and should never be ignored. When you see this symbol on labels or in manuals, be alert to the potential for personal injury or death.



Table of Contents

Technical Specifications - 4SHP17LE	2
Technical Specifications - 4HP17L	5
General.....	10
Installation	10
Refrigeration Piping	12
Electrical – Circuit Sizing and Wire Routing	20
Start-Up Procedure.....	21
Operation.....	22
Control Board Diagnostics and Test Mode	24
Maintenance	27
Homeowner Information	29
Charge Labels	35
Start-Up and Performance Checklist.....	43

WARNING

Improper installation, adjustment, alteration, service or maintenance can cause property damage, personal injury or loss of life. Installation and service must be performed by a licensed professional HVAC installer (or equivalent), service agency or the gas supplier.

WARNING



Electric shock hazard.

Can cause injury or death. Before attempting to perform any service or maintenance, turn the electrical power to unit OFF at disconnect switch(es). Unit may have multiple power supplies.

CAUTION

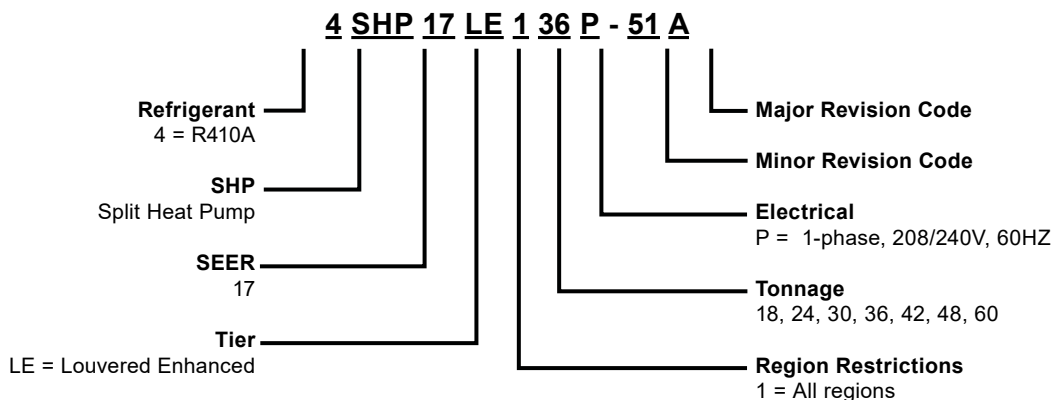
As with any mechanical equipment, contact with sharp sheet metal edges can result in personal injury. Take care while handling this equipment and wear gloves and protective clothing.



(P) 508343-01

Technical Specifications - 4SHP17LE

MODEL NUMBER GUIDE



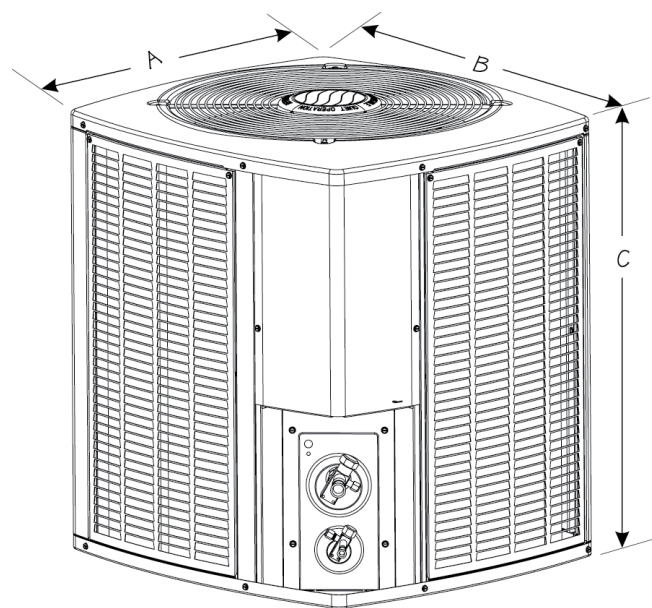
PHYSICAL AND ELECTRICAL DATA

Model	Voltage/Hz/ Phase	Voltage Range	Min. Circuit Amp.	Max. Over Current Device (amps)	Compressor		Outdoor Fan Motor		
					Rated Load (amps)	Locked Rotor (amps)	Full Load (amps)	Rated HP	Nom. RPM
4SHP17LE118P-51	208-230/60/1	197-253	13.6	20	10.3	45.7	0.7	1/8	825
4SHP17LE124P-51	208-230/60/1	197-253	15.1	25	11.5	59.5	0.7	1/8	825
4SHP17LE130P-51	208-230/60/1	197-253	15.6	25	11.7	71.3	1.0	1/6	825
4SHP17LE136P-51	208-230/60/1	197-253	17.8	30	13.1	83.1	1.4	1/5	825
4SHP17LE142P-51	208-230/60/1	197-253	25.9	40	18.6	110.0	2.6	1/3	825
4SHP17LE148P-51	208-230/60/1	197-253	33.9	50	25.0	120.0	2.6	1/3	825
4SHP17LE160P-51	208-230/60/1	197-253	32.5	50	23.9	124.5	2.6	1/3	825

UNIT DIMENSIONS (IN.)

Model	Dimensions (inch)			Shipping Weight (lbs.)
	A - Width	B - Depth	C - Height	
4SHP17LE118P-51	29.38	31.25	43.75	203
4SHP17LE124P-51	29.38	31.25	43.75	203
4SHP17LE130P-51	29.38	31.25	33.25	205
4SHP17LE136P-51	35.75	37.75	33.25	230
4SHP17LE142P-51	35.75	37.75	37.75	284
4SHP17LE148P-51	35.75	37.75	37.75	284
4SHP17LE160P-51	35.75	37.75	43.75	298

Note:
Dimensions listed are unit sizes w/o packaging
Weights listed are unit weights with packaging



UNIT SOUND RATINGS

Model	Sound Power ¹	Estimated Sound Pressure (dBA) ²		
		Approximate Distance ³		
		3.3 Feet (1 Meter)	6.6 Feet (2 Meters)	9.8 Feet (3 Meters)
4SHP17LE118P-51	72	64	58	54
4SHP17LE124P-51	71	63	57	53
4SHP17LE130P-51	76	68	62	58
4SHP17LE136P-51	75	67	61	57
4SHP17LE142P-51	73	65	59	55
4SHP17LE148P-51	73	65	59	55
4SHP17LE160P-51	73	65	59	55

1. Rated in accordance with AHRI standard 270 (2015)
2. Rated in accordance with AHRI standard 275 (2010)
3. Based only on distance factor; other factors may change this value such as:
 - Unit location (reflective surfaces adjacent to the unit)
 - Barrier shielding sources
 - Sound path/elevation
 - Outside noise sources

REFRIGERATION DATA

Model	Refrig. Charge (Oz.)*	TXV	Refrigerant Line Size		Outdoor Unit Connection		Indoor Unit Connection	
			Suction	Liquid	Suction	Liquid	Suction	Liquid
4SHP17LE118P-51	98	H4TXV01	3/4	3/8	3/4	3/8	3/4	3/8
4SHP17LE124P-51	96	H4TXV01	3/4	3/8	3/4	3/8	3/4	3/8
4SHP17LE130P-51	117	H4TXV01	3/4	3/8	3/4	3/8	3/4	3/8
4SHP17LE136P-51	137	H4TXV02	7/8	3/8	7/8	3/8	7/8	3/8
4SHP17LE142P-51	162	H4TXV02	7/8	3/8	7/8	3/8	7/8	3/8
4SHP17LE148P-51	146	H4TXV02	7/8	3/8	7/8	3/8	7/8	3/8
4SHP17LE160P-51	164	H4TXV03	1-1/8	3/8	1-1/8	3/8	1-1/8	3/8

- * Factory charged for 15 feet of line set; adjust per installation instructions.
** Reducer fitting supplied with OD unit

COOLING PERFORMANCE WITH AIR HANDLERS AND FURNACES

Outdoor Model	Indoor Model	Cooling						Heating					
		SEER	SEER2	EER	EER2	AHRI Rated Capacity ¹	Sensible Capacity	HSPF	HSPF2	47°		17°	
										Btuh	COP	Btuh	COP
4SHP17LE118P-51	BCE5C18M*4X	15.5	15.2	13.0	13.0	18,000	14,400	9.2	8.0	17,900	3.80	11,200	2.54
4SHP17LE124P-51	BCE5C24M*4X	15.5	14.7	13.0	12.4	23,200	17,800	9.6	8.0	22,200	3.72	14,000	2.54
4SHP17LE130P-51	BCE5C30M*4X	15.0	14.4	12.2	12.0	28,400	22,400	9.2	8.0	27,800	3.56	18,000	2.52
4SHP17LE136P-51	BCE5C36M*4X	15.5	14.7	12.5	12.4	35,600	27,000	9.6	8.0	34,000	3.62	22,400	2.56
4SHP17LE142P-51	BCE5C42M*4X	15.0	14.4	12.2	12.0	40,500	30,800	9.2	7.8	39,000	3.40	25,000	2.46
4SHP17LE148P-51	BCE5C48M*4X	15.4	14.7	12.5	12.4	47,000	35,400	9.8	8.2	46,500	3.64	30,400	2.64
4SHP17LE160P-51	BCE5C60M*4X	15.1	14.3	12.5	11.7	56,500	41,500	9.6	8.0	54,000	3.50	35,000	2.56

- Note:
1 Certified in accordance with Unitary Air Conditioner Certification Program, which is based on AHRI Standard 210/240
2 Required to achieve AHRI rating. If NA (not applicable) is in the piston column then TXV is required.
3 Blower time delay relay is standard on all Allied Air Enterprises furnace and AH products.

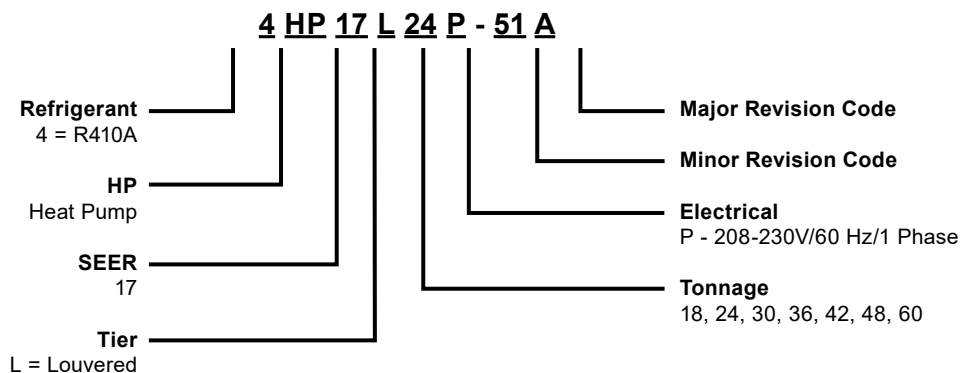
NOTE:
For the latest ratings, please see
www.alliedratings.com or www.AHRIdirectory.org

ACCESSORIES

System Accessory	Where Used	Kit Number	Purpose
Liquid Line Solenoid	All models	60M52	Prevents liquid migration to the compressor especially for high liquid riser applications
Low Ambient (cooling operation)	All models	54M89	Enables cooling demand down to 30 °F. Will require freeze stat, CC heater and TXV
Mild Ambient (heating operation)	All models	11B97	Enables heating demand above 60 °F ambient
Cold Weather	All models	1.921145	To allow unit to operate at very low ambient conditions (older models). Board integrated feature on new models
Fossil Fuel Kit (Heat Pump Only)	All models	1.841185 (AFOSL500)	Required for furnace with heat pump installations
Hard Start	24 & 36	10J42	Scroll compressors usually do not require hard start; maybe needed for utility brown-out or low voltage areas
	48 & 60	81J69	
Crankcase Heater	18, 24, 30	93M04	Prevents liquid migration to compressor in cold weather
	36, 42, 48, 60	Factory Installed	
Sound Cover	Factory Installed		Lowers compressor sound level
Loss of Charge Kit	Factory Installed		Protects the compressor if refrigerant charge is too low
Additional System Accessories (indoor section)			
TXV Kit	18, 24, 30	H4TXV01	TXVs provide superior refrigerant flow control, comfort and efficiency compared to pistons
	36, 42, 48	H4TXV02	
	60	H4TXV03	
Outdoor Thermostat - Electric Heat	All models	10Z23 (56A87)	Prevents electric heat operation above specific ambient conditions
Outdoor Thermostat - Mounting Box	All models	31461	Mounting box for outdoor thermostat
Freezestat	All models	93G35	Protects the compressor at low suction pressure conditions
Overflow Switch	All models	11U75	Turn the system off, if condensate water overflows due to clogged drain pipes
Single Point Power Supply	All models	21H39	Provide single power source in one junction box
Auxiliary Blower Relay	All models	85W66	Maybe required to select multiple indoor blower speeds

Technical Specifications - 4HP17L

MODEL NUMBER GUIDE



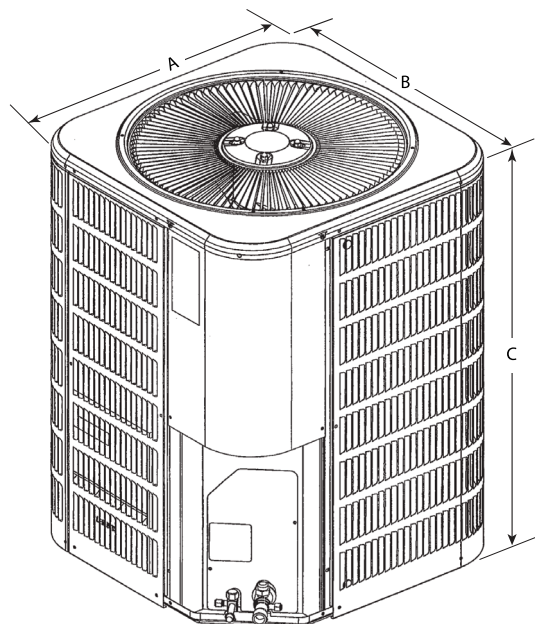
PHYSICAL AND ELECTRICAL DATA

Model	Voltage/Hz/Phase	Voltage Range	Min. Circuit Amp.	Max. Over Current Device (amps)	Compressor		Outdoor Fan Motor		
					Rated Load (amps)	Locked Rotor (amps)	Full Load (amps)	Rated HP	Nom. RPM
4HP17L18P-51	208-230/60/1	197-253	13.6	20	10.3	45.7	0.7	1/8	825
4HP17L24P-51	208-230/60/1	197-253	15.1	25	11.5	59.5	0.7	1/8	825
4HP17L30P-51	208-230/60/1	197-253	15.6	25	11.7	71.3	1.0	1/6	825
4HP17L36P-51	208-230/60/1	197-253	17.8	30	13.1	83.1	1.4	1/5	825
4HP17L42P-51	208-230/60/1	197-253	25.9	40	18.6	110.0	2.6	1/3	825
4HP17L48P-51	208-230/60/1	197-253	33.9	50	25.0	120.0	2.6	1/3	825
4HP17L60P-51	208-230/60/1	197-253	32.5	50	23.9	124.5	2.6	1/3	825

UNIT DIMENSIONS (IN.)

Model	Dimensions (inch)			Shipping Weight (lbs.)
	A - Width	B - Depth	C - Height	
4HP17L18P-51	28.25	28.25	43	185
4HP17L24P-51	28.25	28.25	43	185
4HP17L30P-51	28.25	28.25	33	185
4HP17L36P-51	32.25	32.25	33	220
4HP17L42P-51	32.25	32.25	38	250
4HP17L48P-51	32.25	32.25	38	250
4HP17L60P-51	32.25	32.25	43	260

Note:
Dimensions listed are unit sizes w/o packaging
Weights listed are unit weights with packaging



UNIT SOUND RATINGS

Model	Sound Power ¹	Estimated Sound Pressure (dBA) ²		
		Approximate Distance ³		
		3.3 Feet (1 Meter)	6.6 Feet (2 Meters)	9.8 Feet (3 Meters)
4HP17L18P-51	74	66	60	56
4HP17L24P-51	74	66	60	56
4HP17L30P-51	74	66	60	56
4HP17L36P-51	75	67	61	57
4HP17L42P-51	78	70	64	60
4HP17L48P-51	79	71	65	61
4HP17L60P-51	79	71	65	61

1. Rated in accordance with AHRI standard 270 (2015)
2. Rated in accordance with AHRI standard 275 (2010)
3. Based only on distance factor; other factors may change this value such as:
 - Unit location (reflective surfaces adjacent to the unit)
 - Barrier shielding sources
 - Sound path/elevation
 - Outside noise sources

REFRIGERATION DATA

Model	Refrig. Charge (Oz.) [*]	TXV	Refrigerant Line Size		Outdoor Unit Connection		Indoor Unit Connection	
			Suction	Liquid	Suction	Liquid	Suction	Liquid
4HP17L18P-51	98	H4TXV01	3/4	3/8	3/4	3/8	3/4	3/8
4HP17L24P-51	96	H4TXV01	3/4	3/8	3/4	3/8	3/4	3/8
4HP17L30P-51	117	H4TXV01	3/4	3/8	3/4	3/8	3/4	3/8
4HP17L36P-51	137	H4TXV02	7/8	3/8	7/8	3/8	7/8	3/8
4HP17L42P-51	162	H4TXV02	7/8	3/8	7/8	3/8	7/8	3/8
4HP17L48P-51	146	H4TXV02	7/8	3/8	7/8	3/8	7/8	3/8
4HP17L60P-51	164	H4TXV03	1-1/8	3/8	1-1/8	3/8	1-1/8	3/8

* Factory charged for 15 feet of line set; adjust per installation instructions.

** Reducer fitting supplied with OD unit

COOLING PERFORMANCE WITH AIR HANDLERS AND FURNACES

Outdoor Model	Indoor Model	Cooling						Heating					
		SEER	SEER2	EER	EER2	AHRI Rated Capacity ¹	Sensible Capacity	HSPF	HSPF2	47°		17°	
										Btuh	COP	Btuh	COP
4HP17L18P-51	BCE5C18M*4X	15.5	15.2	13.0	13.0	18,000	14,400	9.2	8.0	17,900	3.80	11,200	2.54
4HP17L24P-51	BCE5C24M*4X	15.5	14.7	13.0	12.4	23,200	17,800	9.6	8.0	22,200	3.72	14,000	2.54
4HP17L30P-51	BCE5C30M*4X	15.0	14.4	12.2	12.0	28,400	22,400	9.2	8.0	27,800	3.56	18,000	2.52
4HP17L36P-51	BCE5C36M*4X	15.5	14.7	12.5	12.4	35,600	27,000	9.6	8.0	34,000	3.62	22,400	2.56
4HP17L42P-51	BCE5C42M*4X	15.0	14.4	12.2	12.0	40,500	30,800	9.2	7.8	39,000	3.40	25,000	2.46
4HP17L48P-51	BCE5C48M*4X	15.4	14.7	12.5	12.4	47,000	35,400	9.8	8.2	46,500	3.64	30,400	2.64
4HP17L60P-51	BCE5C60M*4X	15.1	14.3	12.5	11.7	56,500	41,500	9.6	8.0	54,000	3.50	35,000	2.56

Note:

1. Certified in accordance with Unitary Air Conditioner Certification Program, which is based on AHRI Standard 210/240
2. Required to achieve AHRI rating. If NA (not applicable) is in the piston column then TXV is required.
3. Blower time delay relay is standard on all Allied Air Enterprises furnace and AH products.

NOTE:

For the latest ratings, please see
www.alliedratings.com or www.AHRIdirectory.org

ACCESSORIES

System Accessory	Where Used	Kit Number	Purpose
Liquid Line Solenoid	All models	60M52	Prevents liquid migration to the compressor especially for high liquid riser applications
Low Ambient (cooling operation)	All models	54M89	Enables cooling demand down to 30 °F. Will require freeze stat, CC heater and TXV
Mild Ambient (heating operation)	All models	11B97	Enables heating demand above 60 °F ambient
Cold Weather	All models	1.921145	To allow unit to operate at very low ambient conditions (older models). Board integrated feature on new models
Fossil Fuel Kit (Heat Pump Only)	All models	1.841185 (AFOSL500)	Required for furnace with heat pump installations
Hard Start	24 & 36	10J42	Scroll compressors usually do not require hard start; maybe needed for utility brown-out or low voltage areas
	48 & 60	81J69	
Crankcase Heater	18, 24, 30	93M04	Prevents liquid migration to compressor in cold weather
	36, 42, 48, 60	Factory Installed	
Sound Cover	18, 24, 30, 36	14W00	Lowers compressor sound level
	42, 48, 60	14W01	
Loss of Charge Kit	Factory Installed		Protects the compressor if refrigerant charge is too low
Additional System Accessories (indoor section)			
TXV Kit	18, 24, 30	H4TXV01	TXVs provide superior refrigerant flow control, comfort and efficiency compared to pistons
	36, 42, 48	H4TXV02	
	60	H4TXV03	
Outdoor Thermostat - Electric Heat	All models	10Z23 (56A87)	Prevents electric heat operation above specific ambient conditions
Outdoor Thermostat - Mounting Box	All models	31461	Mounting box for outdoor thermostat
Freezestat	All models	93G35	Protects the compressor at low suction pressure conditions
Overflow switch	All models	11U75	Turn the system off, if condensate water overflows due to clogged drain pipes
Single Point Power Supply	All models	21H39	Provide single power source in one junction box
Auxiliary Blower Relay	All models	85W66	Maybe required to select multiple indoor blower speeds

FAN BLADE SPECS

4SHP17LE*-51	Fan Blade			
	Dia.	#of Blades	Pitch	Part #
-18	22"	2	24	23C06
-24	22"	2	24	23C06
-30	22"	2	24	23C06
-36	26"	3	24	23V42
-42	26"	3	29	23V43
-48	26"	3	29	23V43
-60	26"	3	29	23V43

4HP17L*-51	Fan Blade			
	Dia.	#of Blades	Pitch	Part #
-18	22"	2	24	23C06
-24	22"	2	24	23C06
-30	22"	2	24	23C06
-36	26"	3	24	23V42
-42	26"	4	22	21W10
-48	26"	4	22	21W10
-60	26"	4	22	21W10

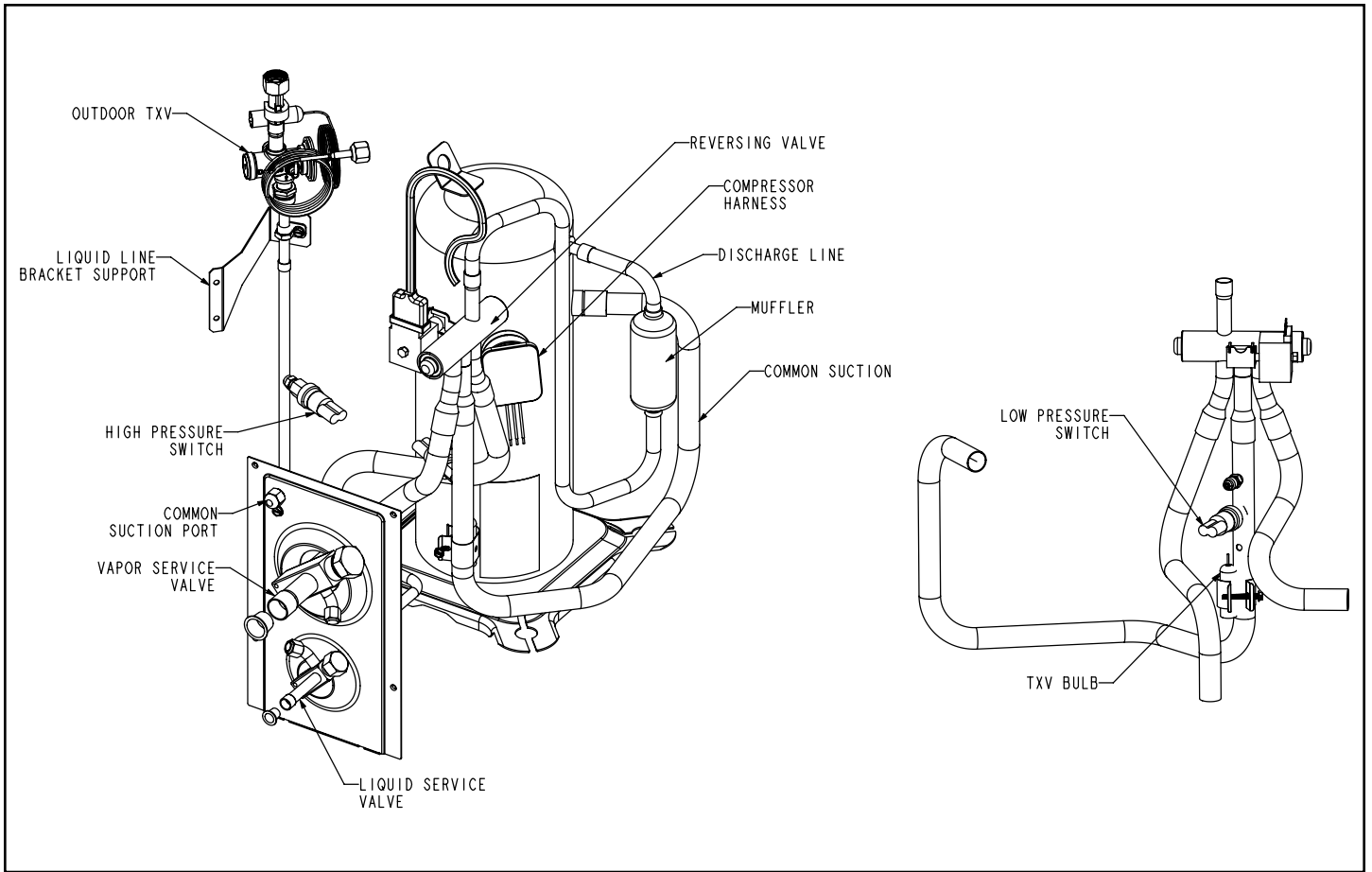


Figure 1. Typical Parts Arrangement - 4SHP17LE

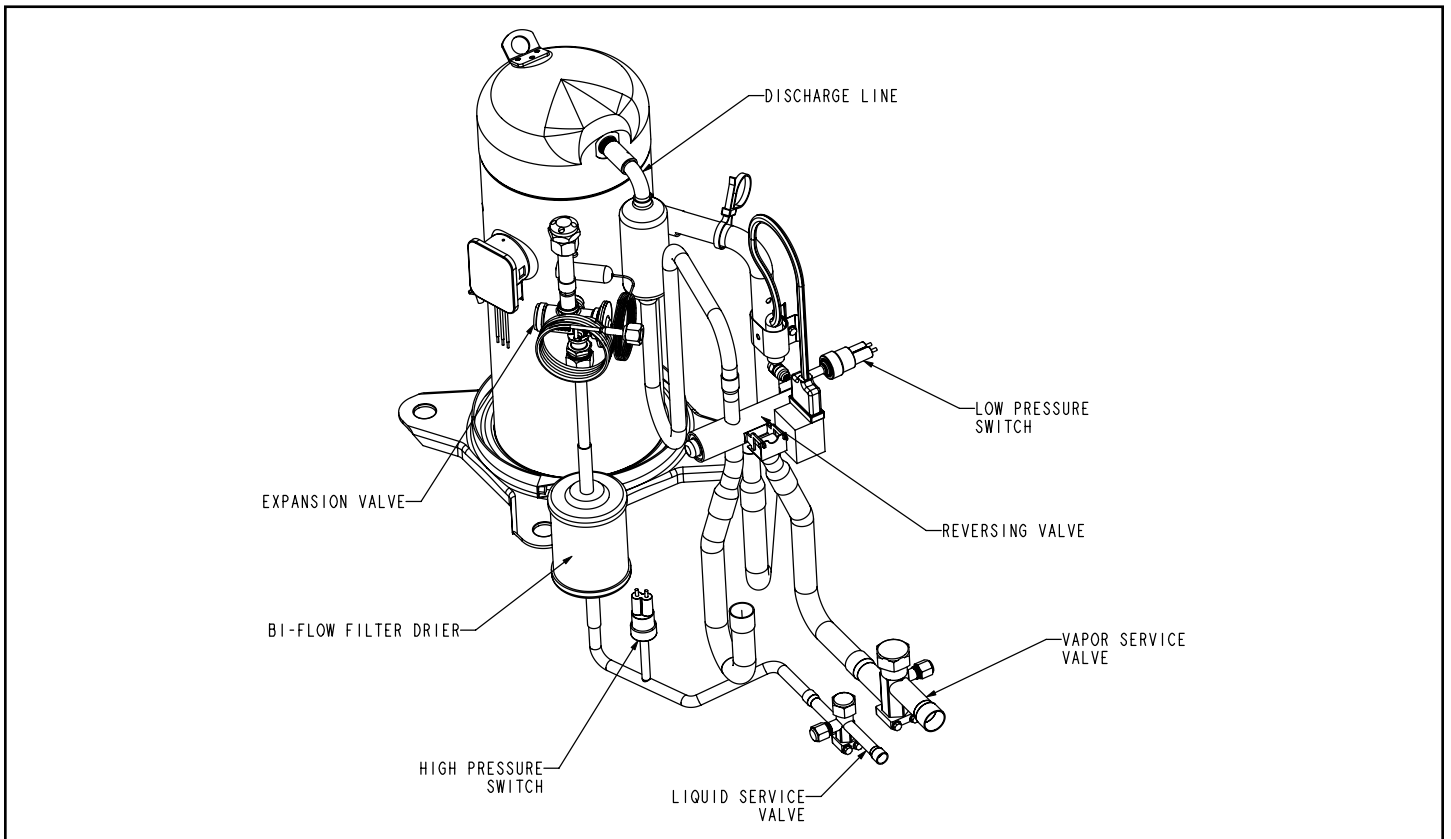


Figure 2. Typical Parts Arrangement - 4HP17L

General

Read this entire instruction manual, as well as the instructions supplied in separate equipment, before starting the installation. Observe and follow all warnings, cautions, instructional labels, and tags. Failure to comply with these instructions could result in an unsafe condition and/or premature component failure.

These instructions are intended as a general guide only for use by qualified personnel and do not supersede any national or local codes in any way. The installation must comply with all provincial, state, and local codes as well as the National Electrical Code (U.S.) or Canadian Electrical Code (Canada). Compliance should be determined prior to installation.

This unit uses R-410A, which is an ozone-friendly HFC refrigerant. The unit must be installed with a matching indoor coil and line set. A filter drier approved for use with R-410A is installed in the unit.

When servicing or repairing HVAC components, ensure the fasteners are appropriately tightened. Table 1 shows torque values for fasteners.

Fastener	Torque
Stem Caps	8 ft. lbs.
Service Port Caps	8 ft. lbs.
Sheet Metal Screws	16 in. lbs.
#8 Machine Screws	16 in. lbs.
#10 Machine Screws	28 in. lbs.
Compressor Bolts	90 in. lbs.

Table 1. Torque Table

Inspection of Shipment

Upon receipt of equipment, carefully inspect it for possible shipping damage. If damage is found, it should be noted on the carrier's freight bill. Take special care to examine the unit inside the carton if the carton is damaged. Any concealed damage discovered should be reported to the last carrier immediately, preferably in writing, and should include a request for inspection by the carrier's agent.

If any damages are discovered and reported to the carrier **DO NOT INSTALL THE UNIT**, as claim may be denied.

Check the unit rating plate to confirm specifications are as ordered.

Safety Precautions

Follow all safety codes. Wear safety glasses and work gloves. Use quenching cloth for brazing operations. Have fire extinguisher available. Read these instructions thoroughly and follow all warning or cautions attached to the unit.

1. Always wear proper personal protection equipment.

2. Always disconnect electrical power before removing panel or servicing equipment.
3. Keep hands and clothing away from moving parts.
4. Handle refrigerant with caution; refer to proper MSDS from refrigerant supplier.
5. Use care when lifting, avoid contact with sharp edges.

Installation

NOTE: *In some cases, noise in the living area has been traced to gas pulsations from improper installation of equipment.*

- Locate unit away from windows, patios, decks, etc. where unit operation sounds may disturb customer.
- Leave some slack between structure and unit to absorb vibration.
- Place a sound-absorbing material, such as Isomode, under the unit if it will be installed in a location or position that will transmit sound or vibration to the living area or adjacent buildings.
- Install the unit high enough above the ground or roof to allow adequate drainage of defrost water and prevent ice buildup.
- In heavy snow areas, do not locate the unit where drifting snow will occur. The unit base should be elevated above the depth of average snows.
NOTE: *Elevation of the unit may be accomplished by constructing a frame using suitable materials. If a support frame is constructed, it must not block drain holes in unit base.*
- When installed in areas where low ambient temperatures exist, locate unit so winter prevailing winds do not blow directly into outdoor coil.
- Locate unit away from overhanging roof lines which would allow water or ice to drop on, or in front of, coil or into unit.

When outdoor unit is connected to factory-approved indoor unit, outdoor unit contains system refrigerant charge for operation with matching indoor unit when connected by 15 ft. of field-supplied tubing. For proper unit operation, check refrigerant charge using charging information located on control box cover.

Outdoor Section

Zoning ordinances may govern the minimum distance the condensing unit can be installed from the property line.

Install on a Solid, Level Mounting Pad

The outdoor section is to be installed on a solid foundation. This foundation should extend a minimum of 2" (inches) beyond the sides of the outdoor section. To reduce the possibility of noise transmission, the foundation slab should NOT be in contact with or be an integral part of the building foundation. See Figure 3.

If conditions or local codes require the unit be attached to pad or mounting frame, tie down bolts should be used and secured to unit base pan.

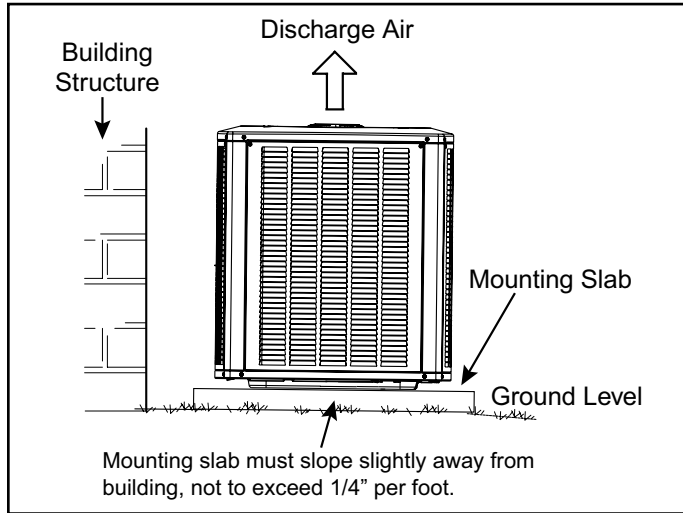


Figure 3. Slab Mounting

Elevate Unit

⚠ CAUTION

Accumulation of water and ice in base pan may cause equipment damage.

Elevate unit per local climate and code requirements to provide clearance above estimated snowfall level and ensure adequate drainage of unit. Use snow stand in areas where prolonged freezing temperatures are encountered.

If conditions or local codes require the unit be attached to pad or mounting frame, tie down bolts should be used and fastened through knockouts provided in unit base pan.

Clearance Requirements

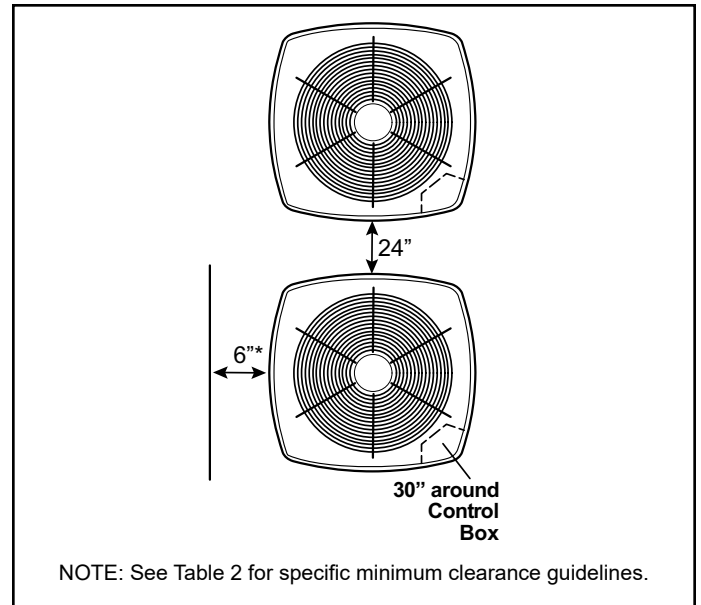
When installing, allow sufficient space for airflow clearance, wiring, refrigerant piping, and service. For proper airflow, quiet operation and maximum efficiency. Position so water, snow, or ice from roof or eaves cannot fall directly on unit. Refer to Table 2 for installation clearances.

Location	Minimum Clearance
Service box	30"
Top of unit*	48"
Between units	24"
Against wall	6"

* Maximum soffit overhang is 36".

NOTE: At least one side should be unobstructed by a wall or other barrier.

Table 2. Clearances



NOTE: See Table 2 for specific minimum clearance guidelines.

Figure 4.

DO LOCATE THE UNIT:

- With proper clearances on sides and top of unit
- On a solid, level foundation or pad (unit must be level to within $\pm 1/4$ in./ft. per compressor manufacturer specifications)
- To minimize refrigerant line lengths

DO NOT LOCATE THE UNIT:

- On brick, concrete blocks or unstable surfaces
- Near clothes dryer exhaust vents where debris accumulates
- Near sleeping area or near windows
- Under eaves where water, snow or ice can fall directly on the unit
- With clearance less than 2 ft. from a second unit
- With clearance less than 4 ft. on top of unit

Operating Ambient

The minimum outdoor operating ambient in cooling mode is 55°F, and the maximum outdoor operating ambient in cooling mode is 125°F. The maximum outdoor operating ambient in heating mode is 66°F.

Rooftop Installations

Install unit at a minimum of 6" above surface of the roof to avoid ice buildup around the unit. Locate the unit above a load bearing wall or area of the roof that can adequately support the unit. Consult local codes for rooftop applications.

If unit cannot be mounted away from prevailing winds, a wind barrier should be constructed. Due to variation in installation applications, size and locate barrier according to the best judgment of the installer.

Refrigeration Piping

- Use only refrigerant grade copper tubes.
- Split systems may be installed with up to 50 feet of line set (no more than 20 feet vertical) without special consideration (see long line set guidelines).
- Ensure that vapor and liquid tube diameters are appropriate to capacity of unit.
- Run refrigerant tubes as directly as possible by avoiding unnecessary turns and bends.
- When passing refrigerant tubes through the wall, seal opening with RTV or other silicon-based caulk.
- Avoid direct tubing contact with water pipes, duct work, floor joists, wall studs, floors, walls, and any structure.
- Do not suspend refrigerant tubing from joists and studs with a rigid wire or strap that comes in direct contact with tubing.
- Ensure that tubing insulation is pliable and completely surrounds vapor tube.

It is important that no tubing be cut or seals broken until you are ready to actually make connections to the evaporator and to the condenser section. DO NOT remove rubber plugs or copper caps from the tube ends until ready to make connections at evaporator and condenser. Under no circumstances leave the lines open to the atmosphere for any period of time, if so unit requires additional evacuation to remove moisture.

Capacity	Liquid		Vapor	
	Connections Dia.	Tube Dia.	Connections Dia.	Tube Dia.
-018	3/8"	3/8"	3/4"	3/4"
-024	3/8"	3/8"	3/4"	3/4"
-030	3/8"	3/8"	3/4"	3/4"
-036	3/8"	3/8"	7/8"	7/8"
-042	3/8"	3/8"	7/8"	7/8"
-048	3/8"	3/8"	7/8"	7/8"
-060	3/8"	3/8"	*1-1/8"	*1-1/8"

* Field supplied 7/8 x 1-1/8 connector required on both ends of vapor tubing.

Table 3. Recommended Liquid & Vapor Tube Diameters (in.)

Be extra careful with sharp bends. Tubing can “kink” very easily, and if this occurs, the entire tube length will have to be replaced. Extra care at this time will eliminate future service problems.

It is recommended that vertical suction risers not be up-sized. Proper oil return to the compressor should be maintained with suction gas velocity.

Filter Drier

The filter drier is very important for proper system operation and reliability. If the drier is shipped loose, it must be installed by the installer in the field. Unit warranty will be void, if the drier is not installed.

Installation of Line Sets

DO NOT fasten liquid or suction lines in direct contact with the floor or ceiling joist. Use an insulated or suspension type of hanger. Keep both lines separate, and always insulate the suction line. Liquid line runs (30 feet or more) in an attic will require insulation. Route refrigeration line sets to minimize length.

DO NOT let refrigerant lines come in direct contact with foundation. When running refrigerant lines through the foundation or wall, openings should allow for a sound and vibration absorbing material to be placed or installed between tubing and foundation. Any gap between foundation or wall and refrigerant lines should be filled with a vibration damping material.

CAUTION

If ANY refrigerant tubing is required to be buried by state or local codes, provide a 6 inch vertical rise at service valve.

Flushing Line Sets

If the unit will be installed in an existing system that uses an indoor unit or line sets charged with R-22 refrigerant, installer must perform the following flushing procedure.

NOTE: Existing system components (including line set and indoor coil) must be an AHRI match with the unit in order to fulfill unit warranty requirements.

WARNING

Refrigerant must be reclaimed in accordance with national and local codes.

CAUTION

Do **NOT** attempt to flush and re-use existing line sets or indoor coil when the system contains contaminants (i.e., compressor burn out).

NOTE

“Clean refrigerant” is any refrigerant in a system that has not had compressor burnout. If the system has experienced burnout, it is recommended that the existing line set and indoor coil be replaced.

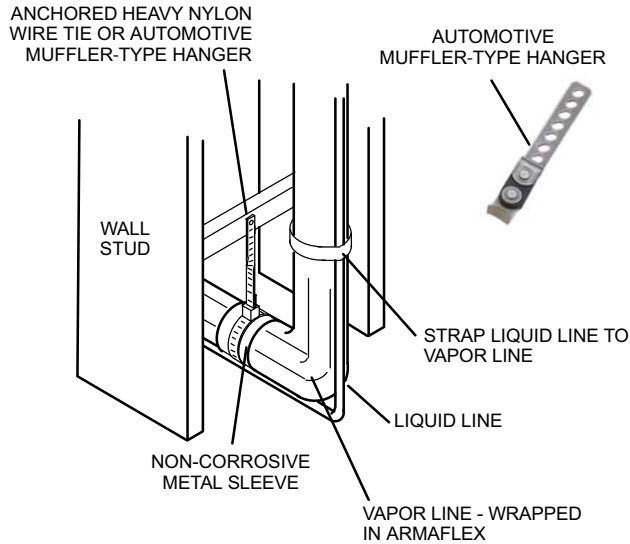
LINE SET

IMPORTANT — Refrigerant lines must not contact structure.

INSTALLATION

Line Set Isolation — The following illustrations are examples of proper refrigerant line set isolation:

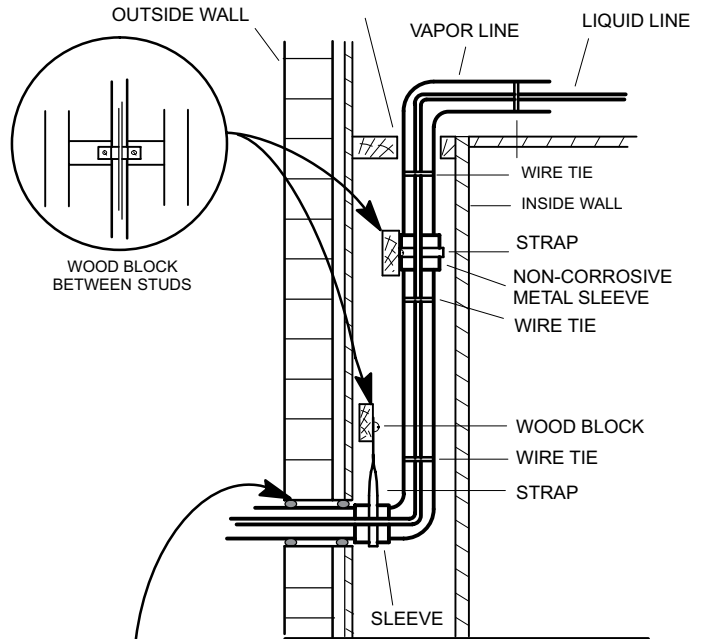
REFRIGERANT LINE SET — TRANSITION FROM VERTICAL TO HORIZONTAL



REFRIGERANT LINE SET — INSTALLING VERTICAL RUNS (NEW CONSTRUCTION SHOWN)

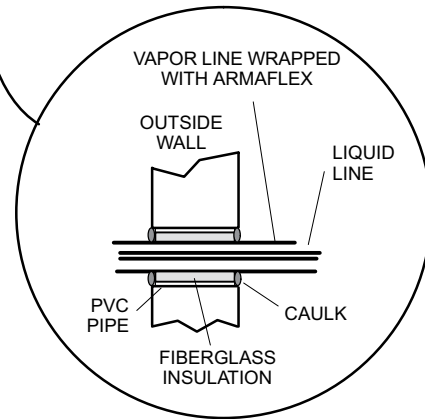
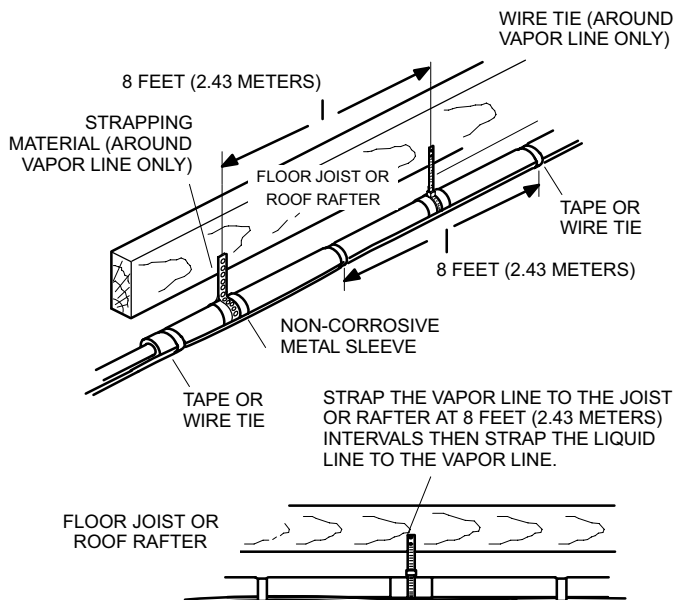
NOTE — Insulate liquid line when it is routed through areas where the surrounding ambient temperature could become higher than the temperature of the liquid line or when pressure drop is equal to or greater than 20 psig.

IMPORTANT — Refrigerant lines must not contact wall



REFRIGERANT LINE SET — INSTALLING HORIZONTAL RUNS

To hang line set from joist or rafter, use either metal strapping material or anchored heavy nylon wire ties.



NOTE — Similar installation practices should be used if line set is to be installed on exterior of outside wall.

NOTE

In lieu of R-410A, an industry-standard flushing agent may also be used.

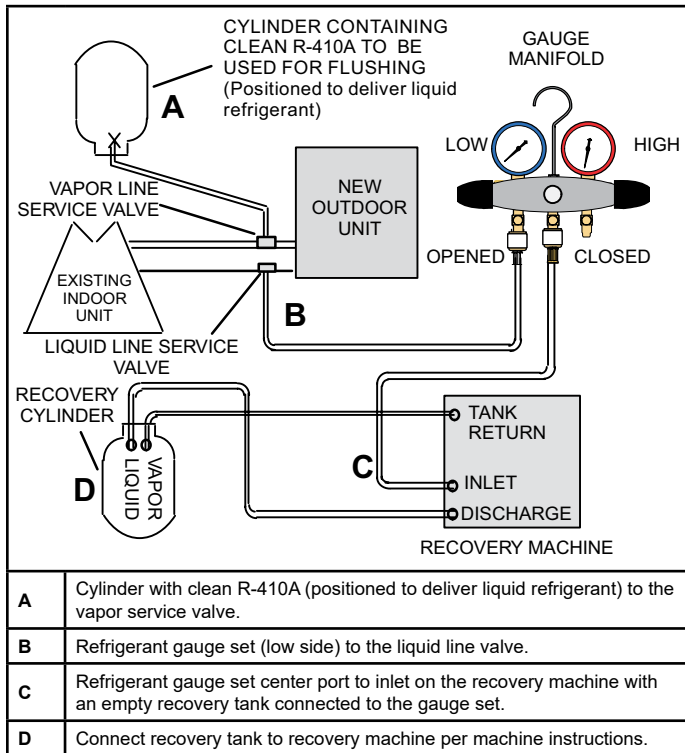


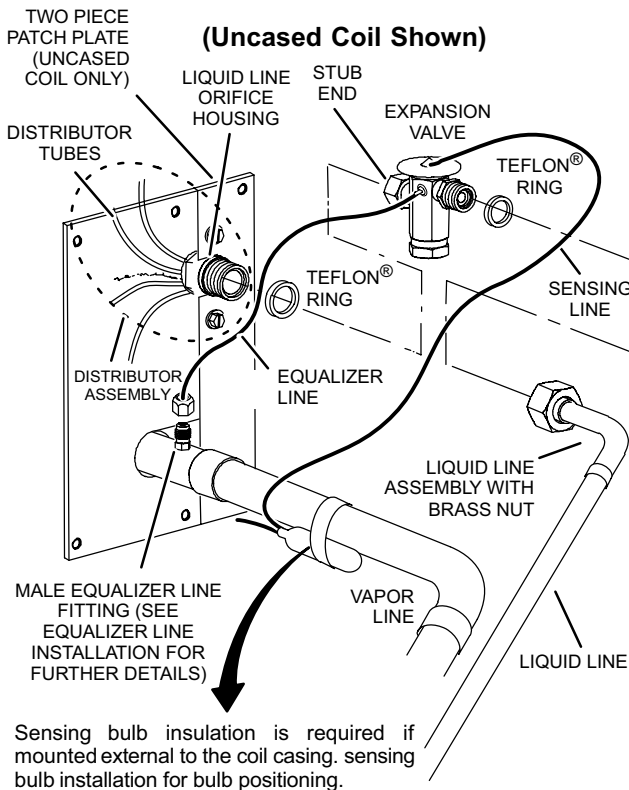
Figure 5.

1. Connect gauges and equipment as shown in Figure 5.
2. Set the recovery machine for liquid recovery and start the recovery machine. Open the gauge set valves to allow the recovery machine to pull a vacuum on the existing system line set and indoor unit coil.
3. Position the cylinder of clean R-410A for delivery of liquid refrigerant and open its valve to allow liquid refrigerant to flow into the system through the vapor line valve. Allow the refrigerant to pass from the cylinder and through the line set and the indoor unit coil before it enters the recovery machine.
4. After all of the liquid refrigerant has been recovered, switch the recovery machine to vapor recovery so that all of the R-410A vapor is recovered. Allow the recovery machine to pull the system down to 0.
5. Close the valve on the inverted R-410A drum and the gauge set valves. Pump the remaining refrigerant out of the recovery machine and turn the machine off.

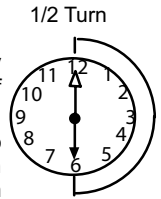
Refrigerant Piping - Install Indoor Expansion Valve

This outdoor unit is designed for use in systems that include an expansion valve metering device (purchased separately) at the indoor coil. See the Product Specifications for approved expansion valve kit match-ups and application information. The check expansion valve unit can be installed internal or external to the indoor coil. In applications where an uncased coil is being installed in a field-provided plenum, install the check/expansion valve in a manner that will provide access for future field service of the expansion valve. Refer to below illustration for reference during installation of expansion valve unit.

INDOOR EXPANSION VALVE INSTALLATION



- 3 - Install one of the provided Teflon® rings around the stubbed end of the check expansion valve and lightly lubricate the connector threads and expose surface of the Teflon® ring with refrigerant oil.
- 4 - Attach the stubbed end of the check expansion valve to the liquid line orifice housing. Finger tighten and use an appropriately sized wrench to turn an additional 1/2 turn clockwise as illustrated in the figure above, or tighten to 20 ft-lb.
- 5 - Place the remaining Teflon® washer around the other end of the check expansion valve. Lightly lubricate connector threads and expose surface of the Teflon® ring with refrigerant oil.
- 6 - Attach the liquid line assembly to the check expansion valve. Finger tighten and use an appropriately sized wrench to turn an additional 1/2 turn clockwise as illustrated in the figure above or tighten to 20 ft-lb.



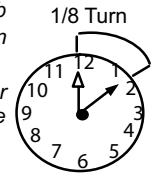
SENSING BULB INSTALLATION

- 1 - Attach the vapor line sensing bulb in the proper orientation as illustrated to the right using the clamp and screws provided.

NOTE - Though it is preferred to have the sensing bulb installed on a horizontal run of the vapor line, installation on a vertical run of piping is acceptable if necessary.

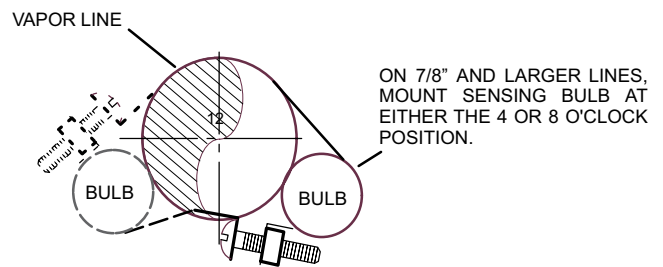
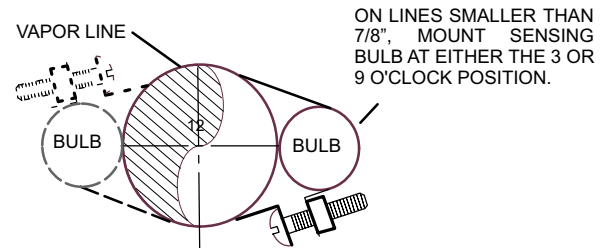
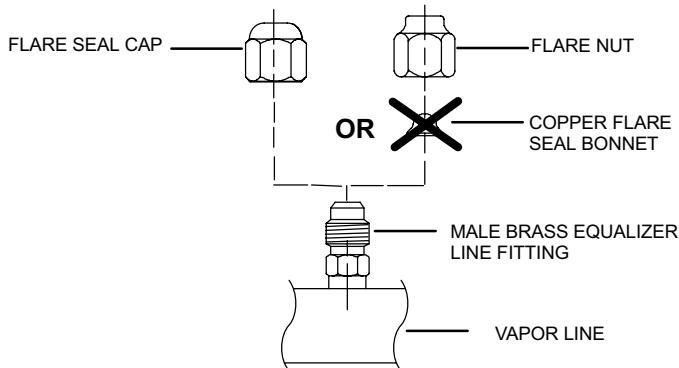
NOTE - Confirm proper thermal contact between vapor line and check/expansion bulb before insulating the sensing bulb once installed.

- 2 - Connect the equalizer line from the check expansion valve to the equalizer vapor port on the vapor line. Finger tighten the flare nut plus 1/8 turn (7 ft-lbs) as illustrated below.



EQUALIZER LINE INSTALLATION

- 1 - Remove and discard either the flare seal cap or flare nut with copper flare seal bonnet from the equalizer line port on the vapor line as illustrated in the figure below.
- 2 - Remove the field-provided fitting that temporarily reconnected the liquid line to the indoor unit's distributor assembly.

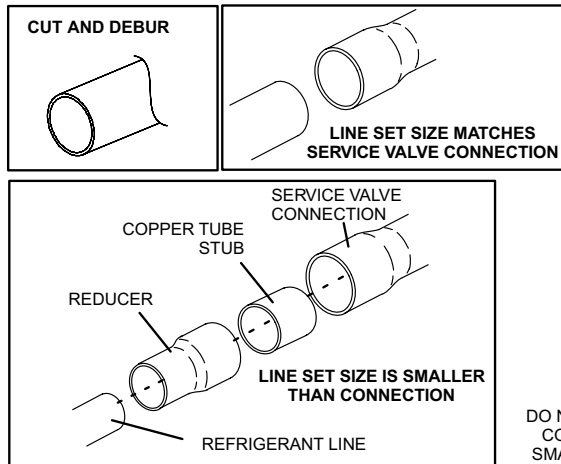


NOTE - NEVER MOUNT THE SENSING BULB ON BOTTOM OF LINE.

Refrigerant Piping - Brazing Procedures

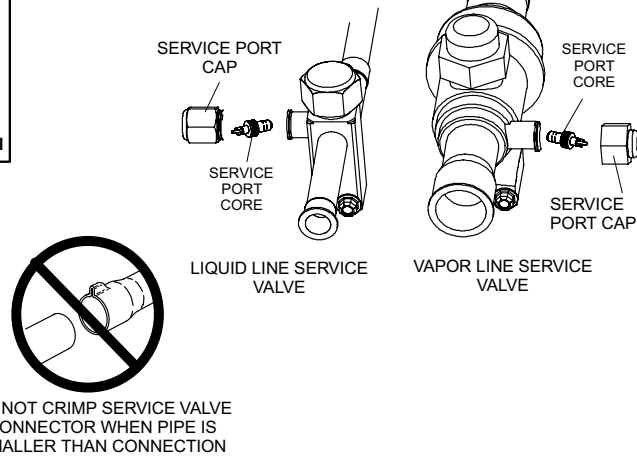
1 CUT AND DEBUR

Cut ends of the refrigerant lines square (free from nicks or dents) and debur the ends. The pipe must remain round. Do not crimp end of the line.



2 CAP AND CORE REMOVAL

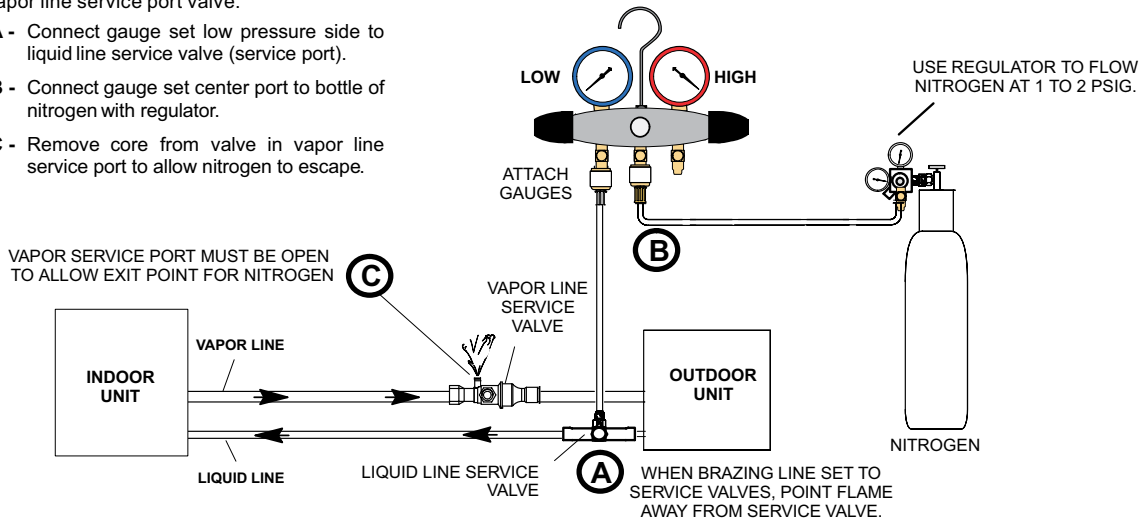
Remove service cap and core from both the vapor and liquid line service ports.



3 ATTACH THE MANIFOLD GAUGE SET FOR BRAZING LIQUID AND VAPOR LINE SERVICE VALVES

Flow regulated nitrogen (at 1 to 2 psig) through the low-side refrigeration gauge set into the liquid line service port valve, and out of the vapor line service port valve.

- A - Connect gauge set low pressure side to liquid line service valve (service port).
- B - Connect gauge set center port to bottle of nitrogen with regulator.
- C - Remove core from valve in vapor line service port to allow nitrogen to escape.



NOTE

Use a manifold gauge set designed for use on R-410A refrigerant systems.

⚠ WARNING

Before brazing, ensure the system is fully recovered of all refrigerant. Application of a brazing torch to a pressurized system may result in ignition of the refrigerant and oil mixture. Check the high and low pressures before applying heat.

⚠ WARNING

Brazing alloys and flux contain materials which are hazardous to your health.

Avoid breathing vapors or fumes from brazing operations. Perform operations only in well-ventilated areas.

Wear gloves and protective goggles or face shield to protect against burns.

Wash hands with soap and water after handling brazing alloys and flux.

4 WRAP SERVICE VALVES

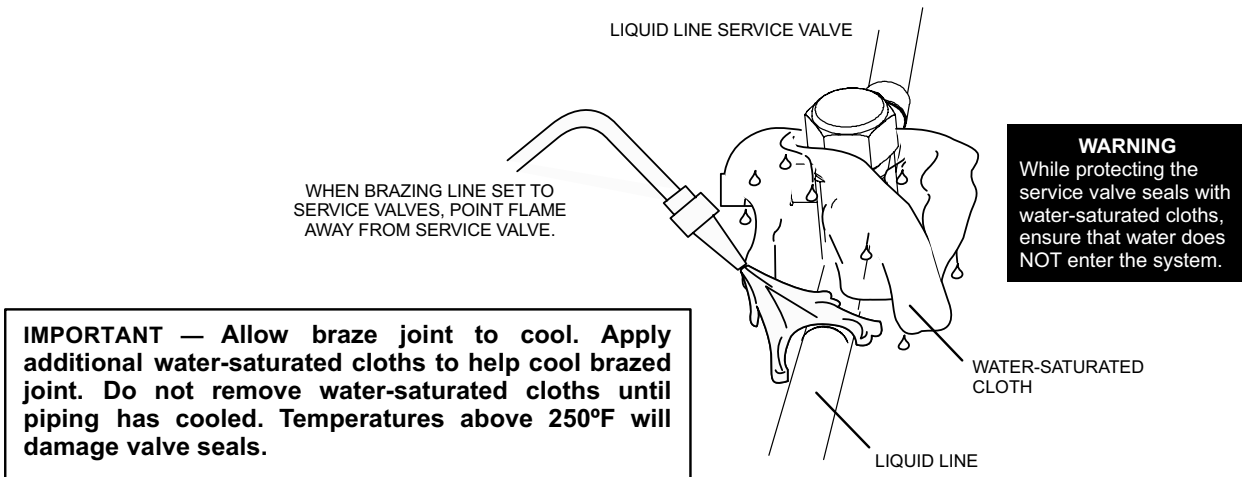
To help protect service valve seals during brazing, wrap water-saturated cloths around service valve bodies and copper tube stubs. Use additional water-saturated cloths underneath the valve body to protect the base paint.

5 FLOW NITROGEN

Flow regulated nitrogen (at 1 to 2 psig) through the refrigeration gauge set into the valve stem port connection on the liquid service valve and out of the vapor valve stem port. See steps 3A, 3B and 3C on manifold gauge set connections.

6 BRAZE LINE SET

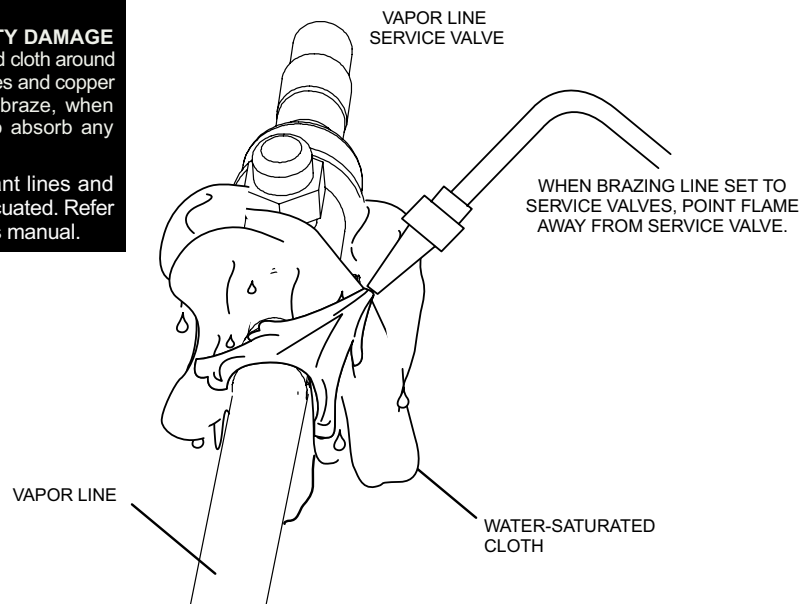
Wrap both service valves with water-saturated cloths as illustrated here and as mentioned in step 4, before brazing to line set. Cloths must remain water-saturated throughout the brazing and cool-down process.



WARNING

FIRE, PERSONAL INJURY, OR PROPERTY DAMAGE may result if you do not wrap a water-saturated cloth around both liquid and suction line service valve bodies and copper tube stub while brazing the line set! The braze, when complete, must be quenched with water to absorb any residual heat.

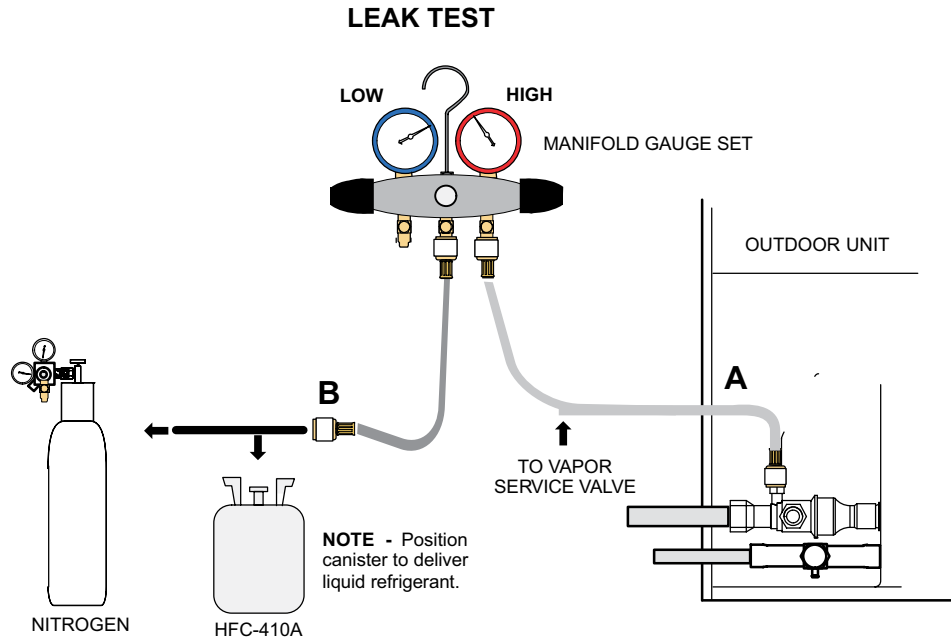
Do not open service valves until refrigerant lines and indoor coil have been leak-tested and evacuated. Refer to Leak Test and Evacuation section of this manual.



7 PREPARATION FOR NEXT STEP

After all connections have been brazed, disconnect manifold gauge set from service ports. Apply additional water-saturated cloths to both services valves to cool piping. Once piping is cool, remove all water-saturated cloths.

Leak Test and Evacuation



1 CONNECT GAUGE SET

- A** - Connect the high pressure hose of an HFC-410A manifold gauge set to the vapor valve service port.
NOTE - Normally, the high pressure hose is connected to the liquid line port. However, connecting it to the vapor port better protects the manifold gauge set from high pressure damage.
- B** - With both manifold valves closed, connect the cylinder of HFC-410A refrigerant to the center port of the manifold gauge set.
NOTE - Later in the procedure, the HFC-410A container will be replaced by the nitrogen container.

2 TEST FOR LEAKS

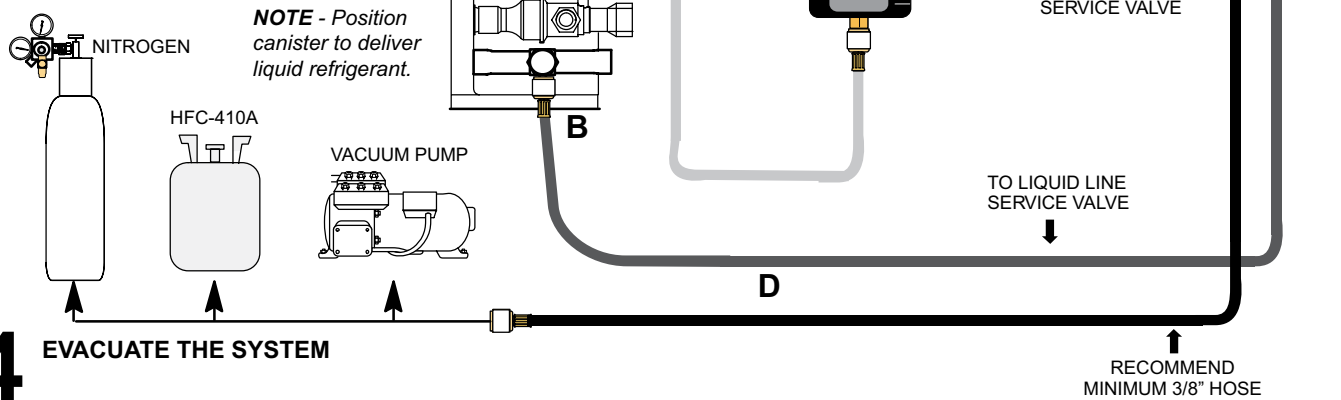
After the line set has been connected to the indoor and outdoor units, check the line set connections and indoor unit for leaks. Use the following procedure to test for leaks:

- A** - With both manifold valves closed, connect the cylinder of HFC-410A refrigerant to the center port of the manifold gauge set. Open the valve on the HFC-410A cylinder (vapor only).
- B** - Open the high pressure side of the manifold to allow HFC-410A into the line set and indoor unit. Weigh in a trace amount of HFC-410A. [A trace amount is a maximum of two ounces (57 g) refrigerant or three pounds (31 kPa) pressure.] Close the valve on the HFC-410A cylinder and the valve on the high pressure side of the manifold gauge set. Disconnect the HFC-410A cylinder.
- C** - Connect a cylinder of nitrogen with a pressure regulating valve to the center port of the manifold gauge set.
- D** - Adjust nitrogen pressure to 150 psig (1034 kPa). Open the valve on the high side of the manifold gauge set in order to pressurize the line set and the indoor unit.
- E** - After a few minutes, open one of the service valve ports and verify that the refrigerant added to the system earlier is measurable with a leak detector.
- F** - After leak testing, disconnect gauges from service ports.
NOTE - Service valve cores remain removed for the following evacuation procedure.

3 CONNECT GAUGE SET

NOTE - Remove cores from service valves (if not already done).

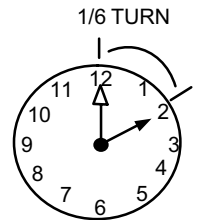
- A - Connect low side of manifold gauge set with 1/4 SAE in-line tee to vapor line service valve
- B - Connect high side of manifold gauge set to liquid line service valve
- C - Connect available micron gauge connector on the 1/4 SAE in-line tee.
- D - Connect the vacuum pump (with vacuum gauge) to the center port of the manifold gauge set. The center port line will be used later for both the HFC-410A and nitrogen containers.



4 EVACUATE THE SYSTEM

- A - Open both manifold valves and start the vacuum pump.
- B - Evacuate the line set and indoor unit until a slight vacuum is indicated on the micron gauge (approximately 23,000 microns or 29.01 inches of mercury).
 - NOTE** - During the early stages of evacuation, it is desirable to close the manifold gauge valve at least once. A rapid rise in pressure indicates a relatively large leak. If this occurs, **repeat the leak testing procedure**.
 - NOTE** - The term **absolute pressure** means the total actual pressure above absolute zero within a given volume or system. Absolute pressure in a vacuum is equal to atmospheric pressure minus vacuum pressure.
- C - When the absolute pressure reaches 23,000 microns (29.01 inches of mercury), perform the following:
 - Close manifold gauge valves.
 - Close valve on vacuum pump.
 - Turn off vacuum pump.
 - Disconnect manifold gauge center port hose from vacuum pump.
 - Attach manifold center port hose to a nitrogen cylinder with pressure regulator set to 150 psig (1034 kPa) and purge the hose.
 - Open manifold gauge valves to break the vacuum in the line set and indoor unit.
 - Close manifold gauge valves.
- D - Shut off the nitrogen cylinder and remove the manifold gauge hose from the cylinder. Open the manifold gauge valves to release the nitrogen from the line set and indoor unit.
- E - Reconnect the manifold gauge to the vacuum pump, turn the pump on, and continue to evacuate the line set and indoor unit until the absolute pressure does not rise above 500 microns (29.9 inches of mercury) within a 20-minute period after shutting off the vacuum pump and closing the manifold gauge valves.
- F - When the absolute pressure requirement above has been met, disconnect the manifold hose from the vacuum pump and connect it to a cylinder of HFC-410A positioned to deliver liquid refrigerant. Open the manifold gauge valve 1 to 2 psig in order to release the vacuum in the line set and indoor unit.
- G - Perform the following:
 - Close manifold gauge valves.
 - Shut off HFC-410A cylinder.
 - Reinstall service valve cores by removing manifold hose from service valve. Quickly install cores with core tool while maintaining a positive system pressure.
 - Replace stem caps and finger tighten them, then tighten an additional one-sixth (1/6) of a turn as illustrated.
- H - Open suction service valve first before liquid valve to release the unit charge into the system. Replace valve caps and tighten (8 ft. lb.). Caps are the primary seal.

WARNING !
Possible equipment damage.
Avoid deep vacuum operation. Do not use compressors to evacuate a system. Extremely low vacuum can cause internal arcing and compressor failure. Damage caused by deep vacuum operation will void warranty.



Electrical – Circuit Sizing and Wire Routing

In the U.S.A., wiring must conform with current local codes and the current National Electric Code (NEC). In Canada, wiring must conform with current local codes and the current Canadian Electrical Code (CEC).

Refer to the furnace or air handler installation instructions for additional wiring application diagrams and refer to unit nameplate for minimum circuit ampacity and maximum overcurrent protection size.

24VAC Transformer

Use the transformer provided with the furnace or air handler for low-voltage control power (24VAC - 40 VA minimum).

WARNING

Electric Shock Hazard. Can cause injury or death. Unit must be properly grounded in accordance with national and local codes.



Line voltage is present at all components when unit is not in operation on units with single-pole contactors. Disconnect all remote electric power supplies before opening access panel. Unit may have multiple power supplies.

WARNING

Fire Hazard. Use of aluminum wire with this product may result in a fire, causing property damage, severe injury or death. Use copper wire only with this product.

WARNING

Failure to use properly sized wiring and circuit breaker may result in property damage. Size wiring and circuit breaker(s) per Product Specifications and unit rating plate.

WARNING

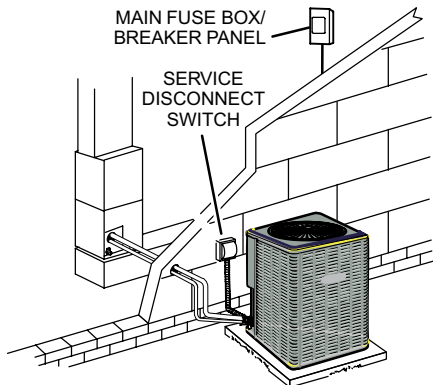
ELECTROSTATIC DISCHARGE (ESD)

Precautions and Procedures

Electrostatic discharge can affect electronic components. Take care during unit installation and service to protect the unit's electronic controls. Precautions will help to avoid control exposure to electrostatic discharge by putting the unit, the control and the technician at the same electrostatic potential. Touch hand and all tools on an unpainted unit surface before performing any service procedure to neutralize electrostatic charge.

SIZE CIRCUIT AND INSTALL SERVICE DISCONNECT SWITCH

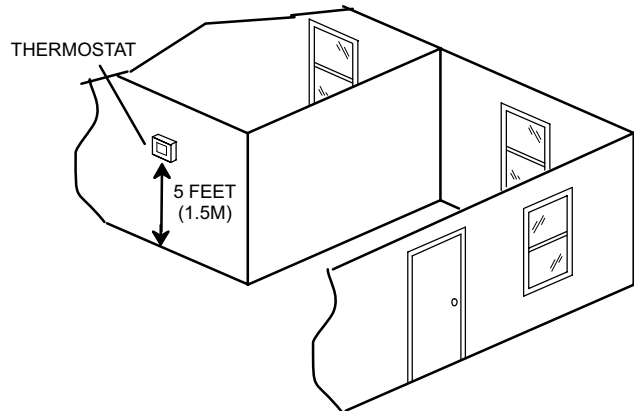
Refer to the unit nameplate for minimum circuit ampacity, and maximum fuse or circuit breaker (HACR per NEC). Install power wiring and properly sized disconnect switch.



NOTE - Units are approved for use only with copper conductors. Ground unit at disconnect switch or connect to an earth ground.

INSTALL THERMOSTAT

Install room thermostat (ordered separately) on an inside wall approximately in the center of the conditioned area and 5 feet (1.5m) from the floor. It should not be installed on an outside wall or where it can be affected by sunlight or drafts.



NOTE - 24VAC, Class II circuit connections are made in the control panel.

Figure 6.

The following illustration provides an example of control wiring connections when using a standard thermostat.

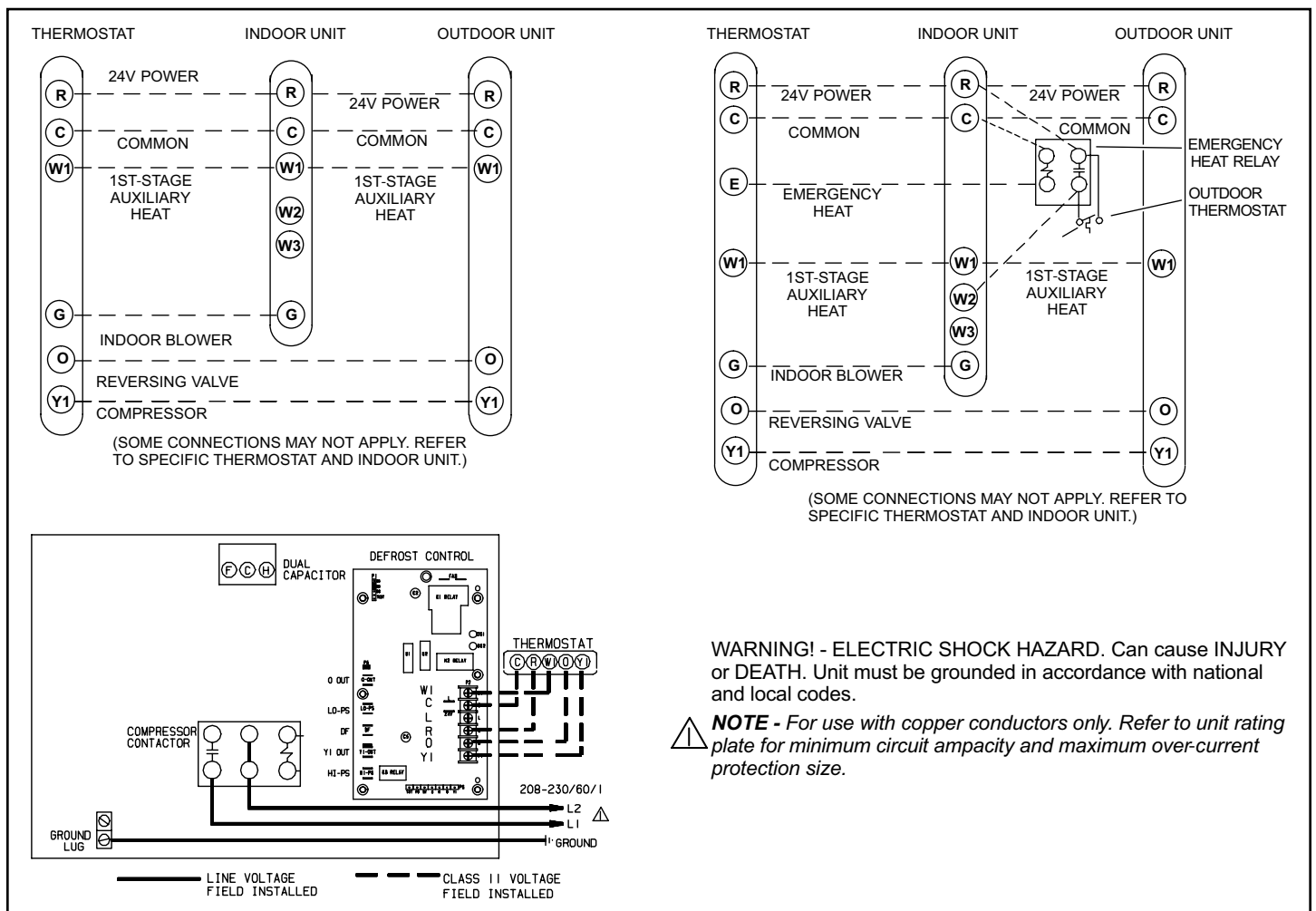


Figure 7. Typical Wiring Diagram - Field Installed

Start-Up Procedure

- Check to ensure:
 - Service valve and gage port caps are installed and tightened.
 - Voltage supply at unit agrees with nameplate rating.
 - Field wiring connections are tight and factory wiring has not been disturbed and are tight.
 - Indoor fan motor is on correct speed tap.
- Set thermostat selector switch to OFF and fan control switch to "Auto" if so equipped.
- Close electrical disconnects to energize system.
- Set room thermostat at desired temperature. Be sure set point is below indoor ambient temperature.
- Set the system switch of the thermostat on COOL (or HEAT if applicable) and fan switch for continuous operation (ON) or AUTO, as desired. There will be a 5 minute short cycle compressor delay on startup. Operate unit for 15-20 minutes, then check the system refrigerant charge.

- Adjust refrigerant charge per "Adjusting Charge" section.

Adjusting Charge

Factory charge is shown on the rating label located on the access panel.

All split system heat pumps are factory charged for 15 feet of connecting line set and matched indoor fan coil. Nameplate refrigerant charge should initially be adjusted for line set lengths other than 15 feet. For line sets shorter than 15 feet in length, remove charge. For line sets longer than 15 feet, add charge. Oil charge is sufficient for all line lengths.

Refrigeration Charge Adjustment	
Liquid Line Diameter	Oz. Per Linear Foot
3/8"	0.6
* Factory charge for series is for 15' (ft.) line sets and matched fan coil.	

Table 4.

Before final adjustment is made to the refrigerant charge, it is imperative that proper indoor airflow be established. Airflow will be higher across a dry coil versus a wet coil. Blower charts are calculated with a dry or wet coil basis. Recommended airflow is 350-450 CFM per ton (12,000 Btuh) through a wet coil. Refer to indoor unit instructions for methods of determining air flow and blower performance.

The optimum method for checking the charge is by weight. However the following methods may be used to confirm the proper charge:

Cooling Mode

1. Operate unit a minimum of 10 minutes before checking charge.
2. Measure liquid service valve pressure by attaching an accurate gage to service port. Determine saturation temp. from T/P chart.
3. Measure liquid line temperature by attaching an accurate thermistor type or electronic thermometer to liquid line near outdoor coil.
4. Calculate subcooling (saturation temp. measured temp.) and compare with table on back of central box cover.

5. Add refrigerant if subcooling is lower than table. Recover refrigerant if subcooling is high.
6. If ambient temp is lower than 60°F, check charge in heating mode or weigh refrigerant according to name plate data.

Heating Mode

Check charge in heating mode if ambient temp is below 60° F. Indoor temp must be between 65° and 75° F.

Follow steps (1) to (6) above and compare with heating mode subcooling range on the table on back of central box cover.

Charge must be rechecked again during the cooling season.

Cold Weather Application

A cold weather accessory kit may be required for heat pumps operating at ambient conditions below 25°F. Supplemental heat should be provided for these conditions.

Operation

Pressure Switch Connections

The unit's automatic reset pressure switches (LO PS - S87 and HI PS - S4) are factory-wired into the control board on the LO-PS and HI-PS terminals, respectively.

Low Pressure Switch (LO-PS)

When the low pressure switch trips, the control board will cycle off the compressor, and the strike counter in the board will count one strike. The low pressure switch is ignored under the following conditions:

- during the defrost cycle and 90 seconds after the termination of defrost
- when the average ambient sensor temperature is below 15° F (-9°C)
- for 90 seconds following the start up of the compressor
- during "test" mode

High Pressure Switch (HI-PS)

When the high pressure switch trips, the control board will cycle off the compressor, and the strike counter in the board will count one strike.

Pressure Switch Settings

- **High Pressure (auto reset)** - trip at 590 psig; reset at 418.
- **Low Pressure (auto reset)** - trip at 25 psig; reset at 40.

5-Strike Lockout Feature

The internal control logic of the board counts the pressure switch trips only while the Y1 (Input) line is active. If a pressure switch opens and closes four times during a Y1 (Input), the control logic will reset the pressure switch trip counter to zero at the end of the Y1 (Input). If the pressure switch opens for a fifth time during the current Y1 (Input), the control will enter a lockout condition.

The 5-strike pressure switch lockout condition can be reset by cycling OFF the 24-volt power to the control board or by shorting the TEST pins between 1 and 2 seconds. All timer functions (run times) will also be reset.

If a pressure switch opens while the Y1 Out line is engaged, a 5-minute short cycle will occur after the switch closes.

Demand Defrost System

The demand defrost system measures differential temperatures to detect when the system is performing poorly because of ice build-up on the outdoor coil. The system "self-calibrates" when the defrost system starts and after each system defrost cycle. The demand defrost components on the control board are listed below.

NOTE: *The demand defrost system accurately measures the performance of the system as frost accumulates on the outdoor coil. This typically will translate into longer running time between defrost cycles as more frost accumulates on the outdoor coil before the board initiates defrost cycles.*

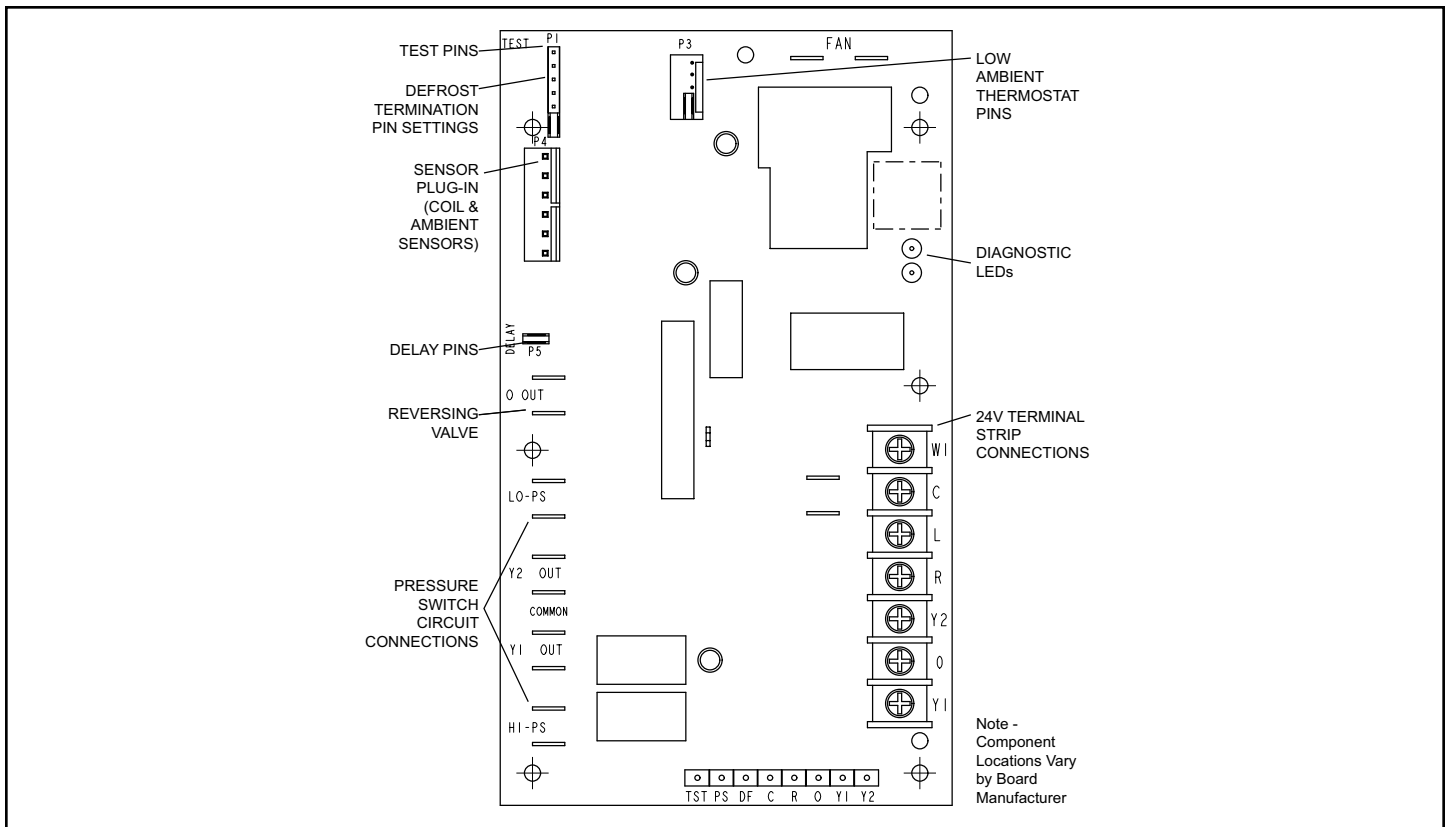


Figure 8. Control Board

Defrost System Sensors

Sensors connect to the defrost board through a field-replaceable harness assembly that plugs into the board. Through the sensors, the board detects outdoor ambient and coil fault conditions. As the detected temperature changes, the resistance across the sensor changes. Sensor resistance values can be checked by ohming across pins.

NOTE: When checking the ohms across a sensor, be aware that a sensor showing a resistance value that is not within the range shown, may be performing as designed. However, if a shorted or open circuit is detected, then the sensor may be faulty and the sensor harness will need to be replaced.

Sensor	Temperature Range °F (°C)	Red LED (DS1)	Pins / Wire Color
Outdoor (ambient)	-35 (-37) to 120 (48)	280,000 to 3750	3 & 4 (black)
Coil	-35 (-37) to 120 (48)	280,000 to 3750	5 & 6 (brown)

NOTE: Sensor resistance decreases as sensed temperature increases.

Table 5. Sensor Temp. / Resistance Range

Coil Sensor

The coil temperature sensor considers outdoor temperatures below -35°F (-37°C) or above 120°F (48°C) as a fault. If the coil temperature sensor is detected as

being open, shorted or out of the temperature range of the sensor, the board will not perform demand or time/temperature defrost operation and will display the appropriate fault code. Heating and cooling operation will be allowed in this fault condition.

NOTE: The coil temperature probe is designed with a spring clip to allow mounting to the outside coil tubing. Coil sensor location is important for proper defrost operation.

Ambient Sensor

The ambient sensor considers outdoor temperatures below -35°F (-37°C) or above 120°F (48°C) as a fault. If the ambient sensor is detected as being open, shorted or out of the temperature range of the sensor, the board will not perform demand defrost operation. The board will revert to time/temperature defrost operation and will display the appropriate fault code. Heating and cooling operation will be allowed in this fault condition.

NOTE: Within a single room thermostat demand, if 5-strikes occur, the board will lockout the unit. Control board 24 volt power “R” must be cycled “OFF” or the “TEST” pins on board must be shorted between 1 to 2 seconds to reset the board.

Defrost Temperature Termination Shunt (Jumper) Pins

The defrost board selections are: 50, 70, 90, and 100°F (10, 21, 32 and 38°C). The shunt termination pin is factory set at 50°F (10°C). If the temperature shunt is not installed, the default termination temperature is 90°F (32°C).

Delay Mode

The defrost system has a field-selectable function to reduce occasional sounds that may occur while the unit is cycling in and out of the defrost mode. When a jumper is installed on the DELAY pins, the compressor will be cycled off for 30 seconds going in and out of the defrost mode. Units are shipped with jumper installed on DELAY pins.

NOTE: *The 30 second compressor delay feature (known as the quiet shift) **must** be deactivated during any unit performance testing. The feature is deactivated by removing the jumper located on the compressor delay pins on the control board mounted inside the unit control box. This feature is optional for the homeowner, but may impact testing performance.*

Defrost Operation

The defrost control system has three basic operational modes: normal, calibration, and defrost.

- **Normal Mode**—The demand defrost system monitors the O line, to determine the system operating mode (heat/cool), outdoor ambient temperature, coil temperature (outdoor coil) and compressor run time to determine when a defrost cycle is required.
- **Calibration Mode**—The board is considered uncalibrated when power is applied to the board, after cool mode operation, or if the coil temperature exceeds the termination temperature when it is in heat mode.

Calibration of the board occurs after a defrost cycle to ensure that there is no ice on the coil. During calibration, the temperature of both the coil and the ambient sensor are measured to establish the temperature differential which is required to allow a defrost cycle.

- **Defrost Mode**—The following paragraphs provide a detailed description of the defrost system operation.

Defrost Cycles

The control board initiates a defrost cycle based on either frost detection or time.

- **Frost Detection**—If the compressor runs longer than 30 minutes and the actual difference between the clear coil and frosted coil temperatures exceeds the maximum difference allowed by the control, a defrost cycle will be initiated.

IMPORTANT - *The control board will allow a greater accumulation of frost and will initiate fewer defrost cycles than a time/ temperature defrost system.*

- **Time**—If 6 hours of heating mode compressor run time has elapsed since the last defrost cycle while the coil temperature remains below 35°F (2°C), the control board will initiate a defrost cycle.

Actuation

When the reversing valve is de-energized, the Y1 circuit is energized, and the coil temperature is below 35°F (2°C), the board logs the compressor run time. If the board is not calibrated, a defrost cycle will be initiated after 30 minutes of heating mode compressor run time. The control will attempt to self-calibrate after this (and all other) defrost cycle(s).

Calibration success depends on stable system temperatures during the 20-minute calibration period. If the board fails to calibrate, another defrost cycle will be initiated after 45 minutes of heating mode compressor run time. Once the control board is calibrated, it initiates a demand defrost cycle when the difference between the clear coil and frosted coil temperatures exceeds the maximum difference allowed by the control OR after 6 hours of heating mode compressor run time has been logged since the last defrost cycle.

NOTE: *If ambient or coil fault is detected, the board will not execute the "TEST" mode.*

Termination

The defrost cycle ends when the coil temperature exceeds the termination temperature or after 14 minutes of defrost operation. If the defrost is terminated by the 14-minute timer, another defrost cycle will be initiated after 30 minutes of run time.

Control Board Diagnostics and Test Mode

Control Board Diagnostics

See control board diagnostic LED table (Table 6) to determine control board operational conditions and to diagnose cause and solution to problems.

Test Mode

When Y1 is energized and 24V power is being applied to the board, a test cycle can be initiated by placing the termination temperature jumper across the "Test" pins for 2 to 5 seconds. If the jumper remains across the "Test" pins longer than 5 seconds, the control will ignore the test pins and revert to normal operation. The jumper will initiate one cycle per test.

Enter the "TEST" mode by placing a shunt (jumper) across the "TEST" pins on the board after power-up. (The "TEST" pins are ignored and the test function is locked out if the shunt is applied on the "TEST" pins before power-up). Board timings are reduced, the low pressure switch is ignored and the board will clear any active lockout condition.

Each test pin shorting will result in one test event.

For each "TEST" the shunt (jumper) must be removed for at least 1 second and reapplied. Refer to flow chart for "TEST" operation.

NOTE: *The Y1 input must be active (ON) and the "O" room thermostat terminal into board must be inactive.*

DS1 and DS2 System Status, Fault and Lockout Codes					
DS2 Green	DS1 Red	Type	Condition / Code	Possible Cause(s)	Solution
OFF	OFF	Status	Power Problem	No power (24V) to control board terminals R and C or control board failure.	1. Check control transformer power (24V). 2. If power is available to control board and LED(s) do not light, replace control board.
Simultaneous SLOW Flash		Status	Normal operation	Unit operating normally or in standby mode.	None required.
Alternating SLOW Flash		Status	5-minute anti-short cycle delay	Initial power up, safety trip, end of room thermostat demand.	None required (jumper TEST pins to override)
Simultaneous FAST Flash		Fault	Ambient Sensor Problem	Sensor being detected open or shorted or out of temperature range. Control board will revert to time/temperature defrost operation. (System will still heat or cool).	
Alternating FAST Flash		Fault	Coil Sensor Problem	Sensor being detected open or shorted or out of temperature range. Control board will not perform demand or time/temperature defrost operation. (System will still heat or cool.)	
ON	ON	Fault	Demand Defrost Control Failure	Indicates that demand defrost control has internal component failure. Cycle 24VAC power to control board. If code does not clear, replace control board.	
OFF	SLOW Flash	Fault	Low Pressure Fault	<ul style="list-style-type: none"> Restricted air flow over indoor or outdoor coil. Improper refrigerant charge in system. Improper metering device installed or incorrect operation of metering device. Incorrect or improper sensor location or connection to system. 	<ul style="list-style-type: none"> Remove any blockages or restrictions from coils and/or fans. Check indoor and outdoor fan motor for proper current draws. Check system charge using subcooling method. Check system operating pressures and compare to unit subcooling tables located on unit access panel. Make sure all pressure switches and sensors have secure connections to system to prevent refrigerant leaks or errors in pressure and temperature measurements.
OFF	ON	Lockout	Low Pressure Lockout		
SLOW Flash	OFF	Fault	High Pressure Fault		
ON	OFF	Lockout	High Pressure Lockout		
(Each fault adds 1 strike to that code's counter; 5 strikes per code = LOCKOUT)					

Table 6. Control Board Diagnostic LEDs

Control Locations	Control Label or Description	Purpose	Function
P1	50, 70, 90, 100	Defrost Temperature Termination Shunt (Jumper) Pins	The control board has selections which are: 50, 70, 90, and 100°F (10, 21, 32 and 38°C). The shunt termination pin is factory-set at 50°F (10°C). If the temperature shunt is not installed, the default termination temperature is 90°F (32°C).
P2	W	24VAC Thermostat Input / Output	24VAC input / output from indoor thermostat to indoor unit.
	C	24VAC Common	24VAC common.
	L	Thermostat Service Light	Thermostat service light connection.
	R	24VAC	24VAC.
	Y2	Thermostat Input	Controls the second stage operation of the unit. Not applicable in single stage unit.
	O	Thermostat Input	Reversing valve solenoid.
P4	DIS-YEL	Coil Sensor	(P4-5) Ground connection for outdoor coil temperature sensor. (P4-6) Connection for outdoor coil temperature sensor.
	AMB-BLACK	Ambient Sensor	(P4-3) Ground connection for outdoor ambient temperature sensor. (P4-4) Connection for outdoor ambient temperature sensor.
P5	DELAY	Delay Mode	The control board has a field-selectable function to reduce occasional sounds that may occur while the unit is cycling in and out of the defrost mode. When a jumper is installed on the DELAY pins, the compressor will be cycled off for 30 seconds going in and out of the defrost mode. Units are shipped with jumper installed on DELAY pins. NOTE - The 30-second off cycle is NOT functional when TEST pins on P1 are jumpered.
P6	TST, PS DF, C, R, O, Y1, Y2	Factory Test Connectors	No field use.
DS1	RED LED	Diagnostic LED	Control board LEDs may be OFF, ON, or FLASHING to indicate diagnostic conditions which are described in Table 6.
DS2	GREEN LED		
FAN	TWO CONNECTORS	Condenser Fan Operation	These two connections provide power for the condenser fan.
O OUT	O OUT	24 VAC output	24 VAC output connection for reversing valve.
LO-PS	LO-PS	Low-Pressure Switch	When the low pressure switch trips, the control board will cycle off the compressor, and the strike counter in the control board will count one strike. The low pressure switch is ignored under the following conditions: <ul style="list-style-type: none"> during the defrost cycle and 90 seconds after the termination of defrost when the average ambient sensor temperature is below 0°F (-18°C) during 90 seconds following the start of the compressor during TEST mode.
Y2 OUT	Y2 OUT	24 VAC Output	24 VAC output for second-stage compressor solenoid.
Y1 OUT	Y1 OUT	24 VAC Common Output	24 VAC common output, switched for enabling compressor contactor.
HS-PS	HS-PS	High-Pressure Switch	When the high pressure switch trips, the control board will cycle off the compressor, and the strike counter in the control board will count one strike.
L	L	Service Light Output	24VAC service light output.

Table 7. Control Board Inputs, Outputs and Configurable Settings

Maintenance

Regular Maintenance Requirements

Your system should be regularly inspected by a qualified service technician. These regular visits may include (among other things) checks for:

- Motor operation
- Ductwork air leaks
- Coil & drain pan cleanliness (indoor & outdoor)
- Electrical component operation & wiring check
- Proper refrigerant level & refrigerant leaks
- Proper airflow
- Drainage of condensate
- Air filter(s) performance
- Blower wheel alignment, balance & cleaning
- Primary & secondary drain line cleanliness
- Proper defrost operation (heat pumps)

Air Filter

Inspect air filters at least monthly and replace or clean as required. Disposable filters should be replaced. Washable filters may be cleaned by soaking in mild detergent and rinsing with cold water. Allow filter to dry before reinstalling. Replace filters with the arrows pointing in the direction of airflow. Dirty filters are the most common cause of poor heating / cooling performance and compressor failures.

Indoor Coil

If the system has been operated with a clean filter in place, it should require minimal cleaning. If cleaning is needed, call your dealer for service.

Condensate Drain

During cooling season check at least monthly for free flow of drainage and clean if necessary.

Condenser Coils

Grass cuttings, leaves, dirt, dust, lint from clothes dryers, and foliage from trees can be drawn into coils by movement of the air. Clogged condenser coils will lower the efficiency of your unit and could cause damage to the condenser.

Periodically, debris should be brushed from the condenser coils. Use a soft bristle brush with light pressure only. DO NOT damage or bend condenser coil fins. Damaged or bent fins may affect unit operation.

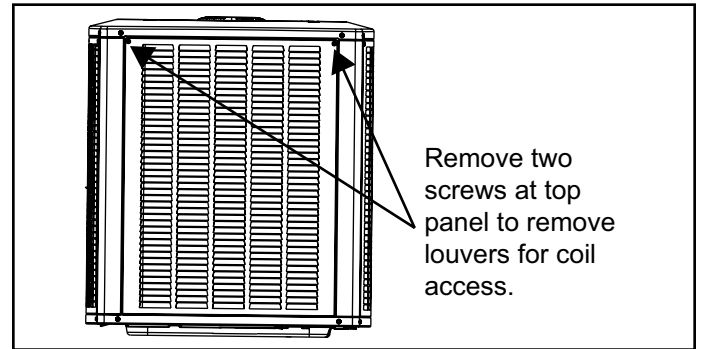


Figure 9. Removing Louvers

WARNING

SHARP OBJECT HAZARD!

Condenser coils have sharp edges. Wear adequate body protection on body extremities (e.g. gloves).

FAILURE TO FOLLOW THIS WARNING COULD RESULT IN BODILY INJURY.

NOTICE

This unit is equipped with an aluminum coil. Aluminum coils may be damaged by exposure to solutions with a pH below 5 or above 9. The aluminum coil should be cleaned using potable water at a moderate pressure (less than 50psi). If the coil cannot be cleaned using water alone, it is recommended to use a coil cleaner with a pH in the range of 5 to 9. The coil must be rinsed thoroughly after cleaning.

In coastal areas, the coil should be cleaned with potable water several times per year to avoid corrosive buildup (salt).

Painted Surfaces

For maximum protection of the unit's finish, a good grade of automobile wax should be applied every year. In geographical areas where water has a high concentration of minerals (calcium, iron, sulfur, etc.), it is recommended that lawn sprinklers not be allowed to spray the unit. In such applications, the sprinklers should be directed away from the unit. Failure to follow this precaution may result in premature deterioration of the unit finish and metal components.

In sea coast areas, special maintenance is required due to the corrosive atmosphere provided by the high salt concentration in ocean mists and the air. Periodic washing of all exposed surfaces and coil will add additional life to your unit. Please consult your installing dealer for proper procedures in your geographic area.



WARNING

To prevent personal injury, or damage to panels, unit or structure, be sure to observe the following:

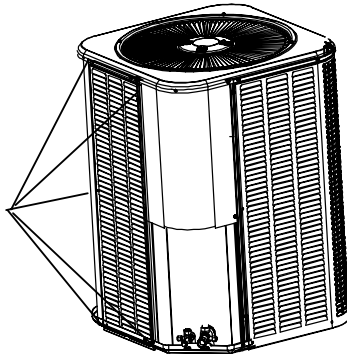
While installing or servicing this unit, carefully stow all removed panels out of the way, so that the panels will not cause injury to personnel, nor cause damage to objects or structures nearby, nor will the panels be subjected to damage (e.g., being bent or scratched).

While handling or stowing the panels, consider any weather conditions, especially windy conditions, that may cause panels to be blown around and battered.

REMOVAL

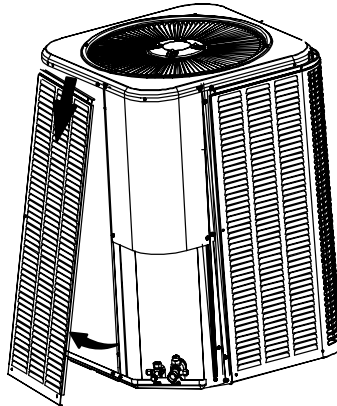
STEP 1

TO REMOVE PANEL, REMOVE MOUNTING SCREWS SECURING PANEL TO THE UNIT.



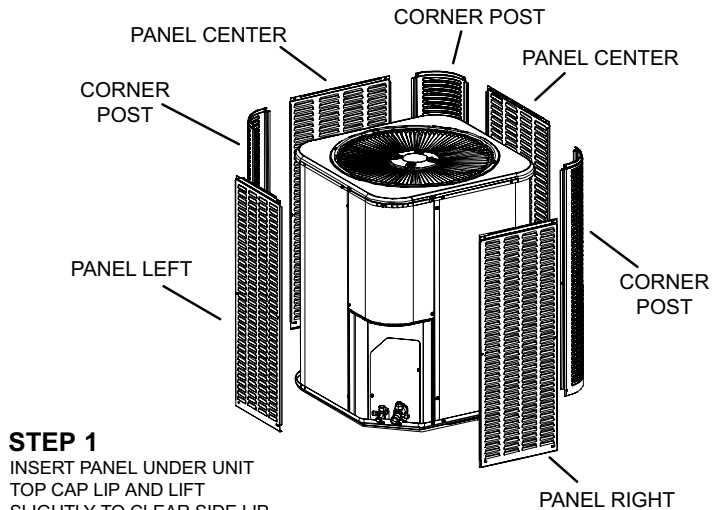
STEP 2

SLIGHTLY LIFT PANEL IN ORDER TO CLEAR SIDE LIPS OF PANEL FROM BASE OF UNIT.



STEP 3

TILT PANEL OUT SLIGHTLY AND PULL DOWNWARD TO REMOVE.



STEP 1

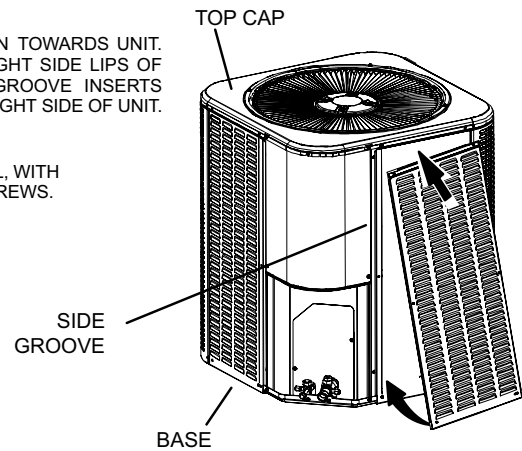
INSERT PANEL UNDER UNIT TOP CAP LIP AND LIFT SLIGHTLY TO CLEAR SIDE LIP OF PANEL FROM BASE.

STEP 2

MOVE PANEL IN TOWARDS UNIT. ALIGN LEFT/RIGHT SIDE LIPS OF PANEL WITH GROOVE INSERTS ALONG LEFT/RIGHT SIDE OF UNIT.

STEP 3

SECURE PANEL, WITH MOUNTING SCREWS.



PANEL INSTALLATION

Figure 10.



WARNING **ELECTRICAL SHOCK HAZARD!**

Turn OFF electric power to unit before performing any maintenance or removing panels or doors.

FAILURE TO DO SO COULD RESULT IN BODILY INJURY OR DEATH.

Heat Pump Operation

Your new heat pump has several characteristics that you should be aware of:

- Heat pumps satisfy heating demand by delivering large amounts of warm air into the living space. This is quite different from gas-or oil-fired furnaces or an electric furnace which deliver lower volumes of considerably hotter air to heat the space.
- Do not be alarmed if you notice frost on the outdoor coil in the winter months. Frost develops on the outdoor coil during the heating cycle when temperatures are below 45°F. An electronic control activates a defrost cycle lasting 5 to 15 minutes at preset intervals to clear the outdoor coil of the frost.
- During the defrost cycle, you may notice steam rising from the outdoor unit. This is a normal occurrence. The thermostat may engage auxiliary heat during the defrost cycle to satisfy a heating demand; however, the unit will run to normal operation at the conclusion of the defrost cycle.

In case of extended power outage...

If the outdoor temperature is below 50°F and power to your outdoor unit has been interrupted for one hour or longer, observe the following when restoring power to your heat pump system.

- Set the room thermostat selector to the “Emergency Heat” setting to obtain temporary heat for a minimum of 6 hours. This will allow system refrigerant pressures and temperatures enough time to return to a stabilized condition.
- In Emergency Heat mode, all heating demand is satisfied by auxiliary heat; heat pump operation is locked out. After a 6 hour “warm-up” period, the thermostat can then be switched to the “Heat” setting and normal heat pump operation may resume.

Thermostat Operation

The wall-mounted thermostat controls your heat pump. The thermostat is available in various configurations from different manufacturers. The information below is typical for most thermostats. Ask your dealer for specific information regarding the model of thermostat installed.

Fan Switch

In AUTO or INT (intermittent) mode, the blower operates only when the thermostat calls for heating or cooling. This mode is generally preferred when humidity control is a priority.

The ON or CONT mode provides continuous indoor blower operation, regardless of whether the compressor or auxiliary heat are operating. This mode is required when constant air circulation or filtering is desired.

On models without a fan selection switch, the fan will cycle with the outdoor unit.

System Switch

Set the system switch for heating, cooling or auto operation. The auto mode allows the heat pump to automatically switch from heating mode to cooling mode to maintain predetermined comfort settings. Many heat pump thermostats are also equipped with an emergency heat mode which locks out heat pump operation and provides temporary heat supplied by the auxiliary heat.

Indicating Light

Most heat pump thermostats have an amber light which indicates when the heat pump is operating in the emergency heat mode.

Temperature Indicator

The temperature indicator displays the actual room temperature.

Important System Information

- Your system should never be operated without a clean air filter properly installed.
- Return air and supply air registers should be free from restrictions or obstructions to allow full flow of air.

IF YOUR SYSTEM DOES NOT WORK, BEFORE REQUESTING A SERVICE CALL:

1. Ensure thermostat is set below (cooling) or above (heating) room temperature and that the system lever is in the “COOL”, “HEAT” or “AUTO” position.
2. Inspect your return air filter: If it is dirty, your heat pump may not function properly.
3. Check indoor and outdoor disconnect switches. Confirm circuit breakers are ON or that fuses have not blown. Reset breakers/replace fuses as necessary.
4. Inspect the outdoor unit for clogged condenser coils, (grass cuttings, leaves, dirt, dust or lint). Ensure that branches, twigs or other debris are not obstructing the condenser fan.

**IF YOUR SYSTEM STILL DOES NOT OPERATE,
CONTACT YOUR SERVICING DEALER.**

Be sure to describe the problem, and have the model and serial numbers of the equipment available.

If warranty replacement parts are required, the warranty must be processed through a qualified distribution location.

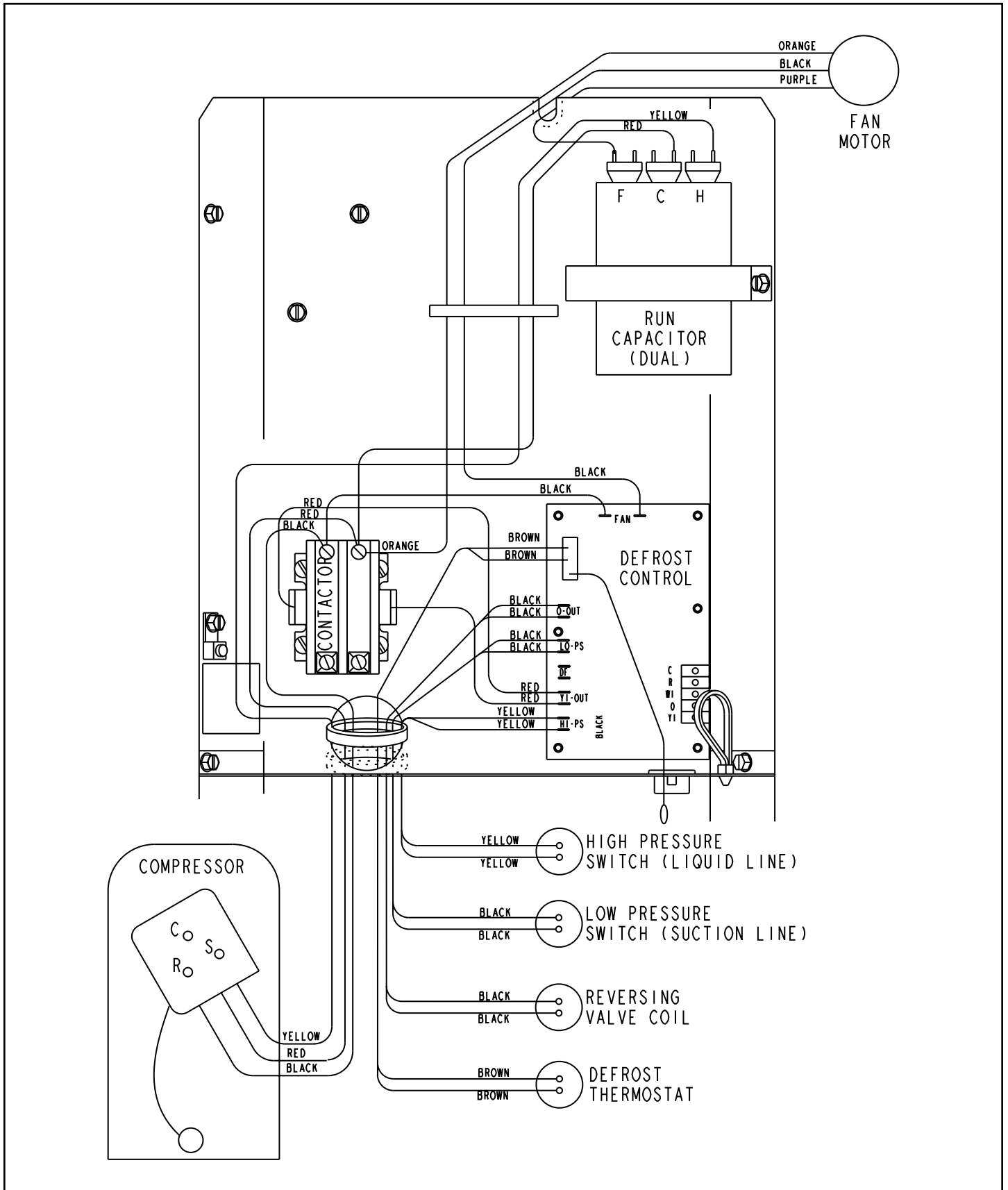


Figure 11. Typical Factory Wiring (-018 through -036 models)

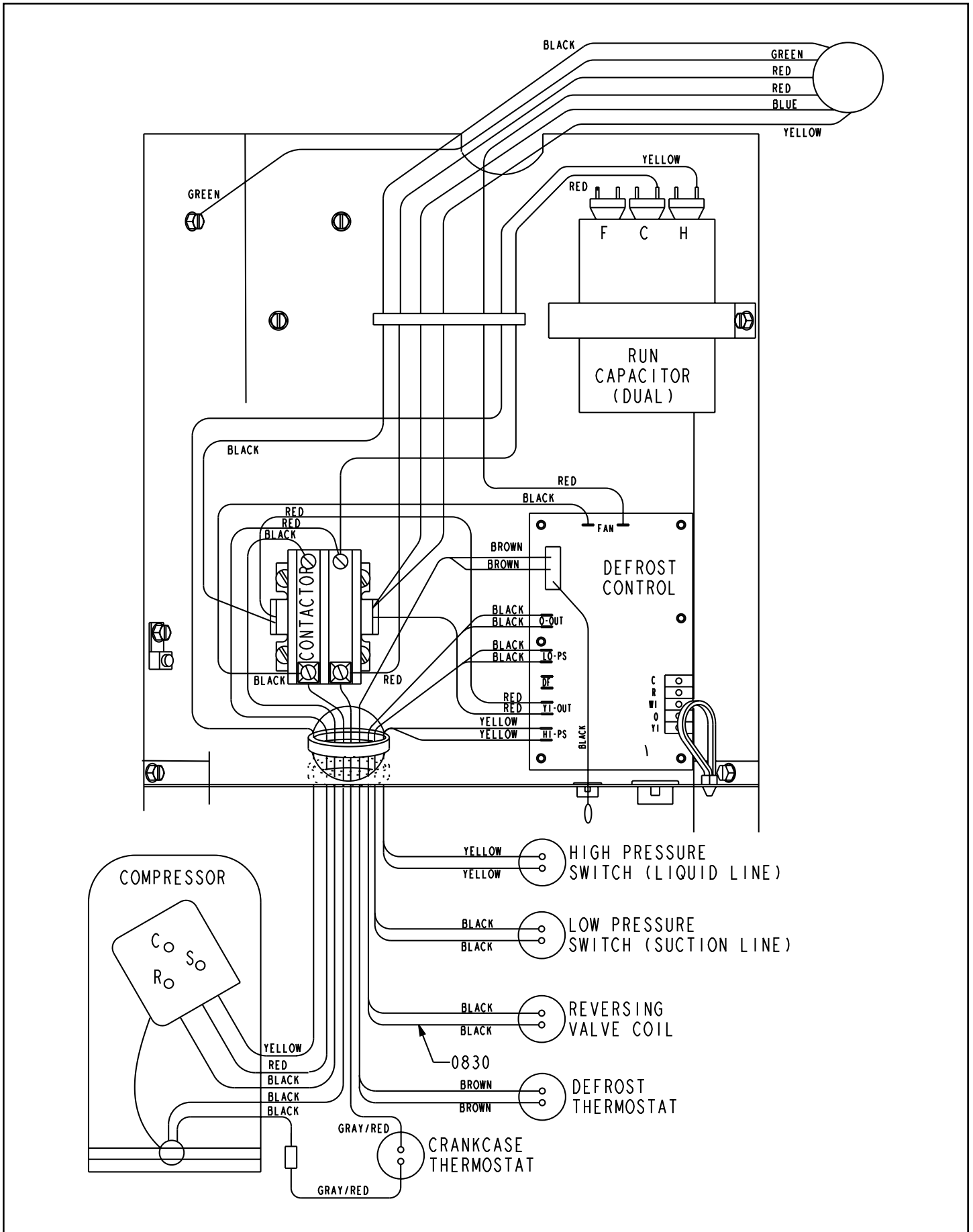


Figure 12. Typical Factory Wiring (-042 through -060 models)

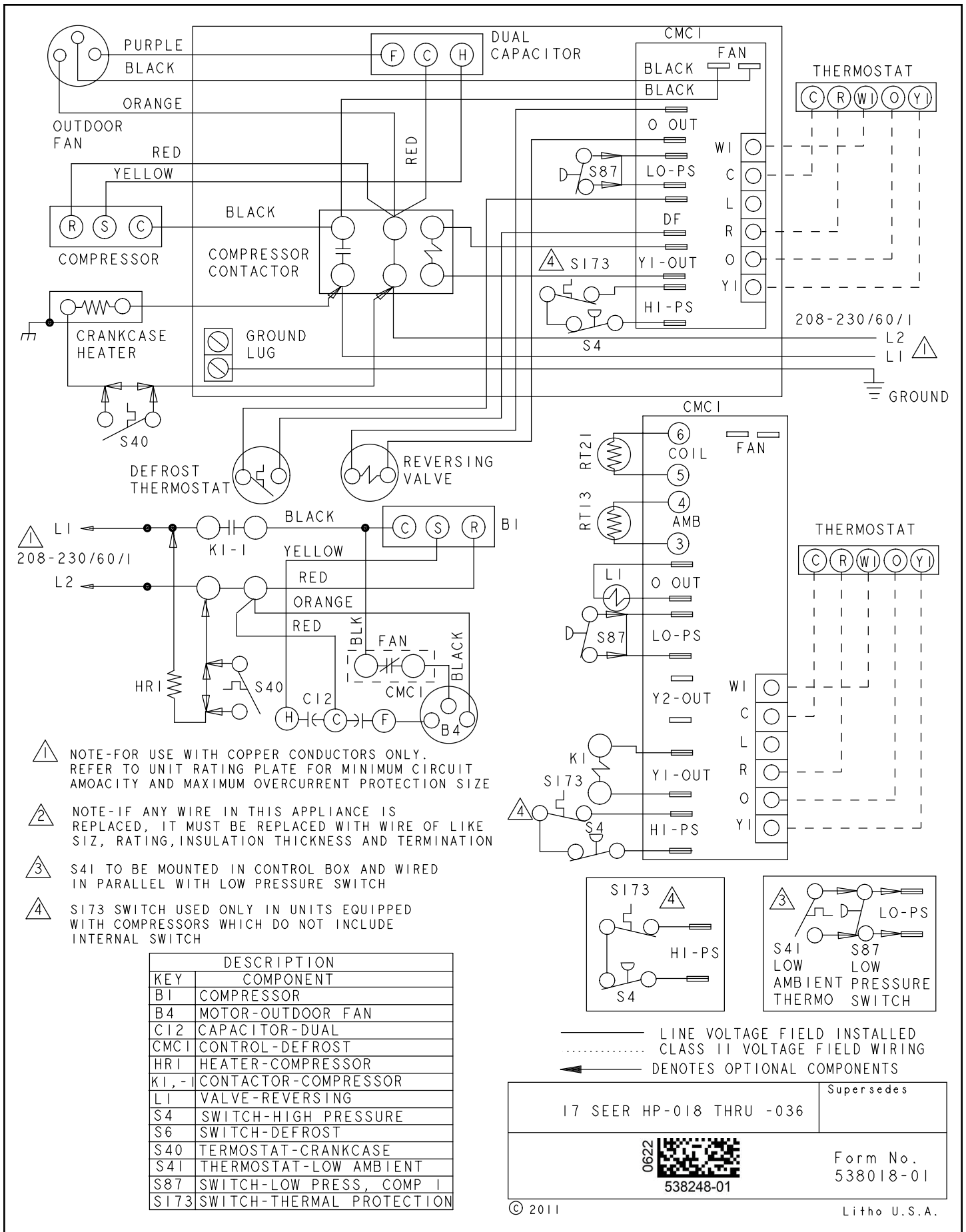


Figure 13. Wiring Diagram 018 - 036 Models

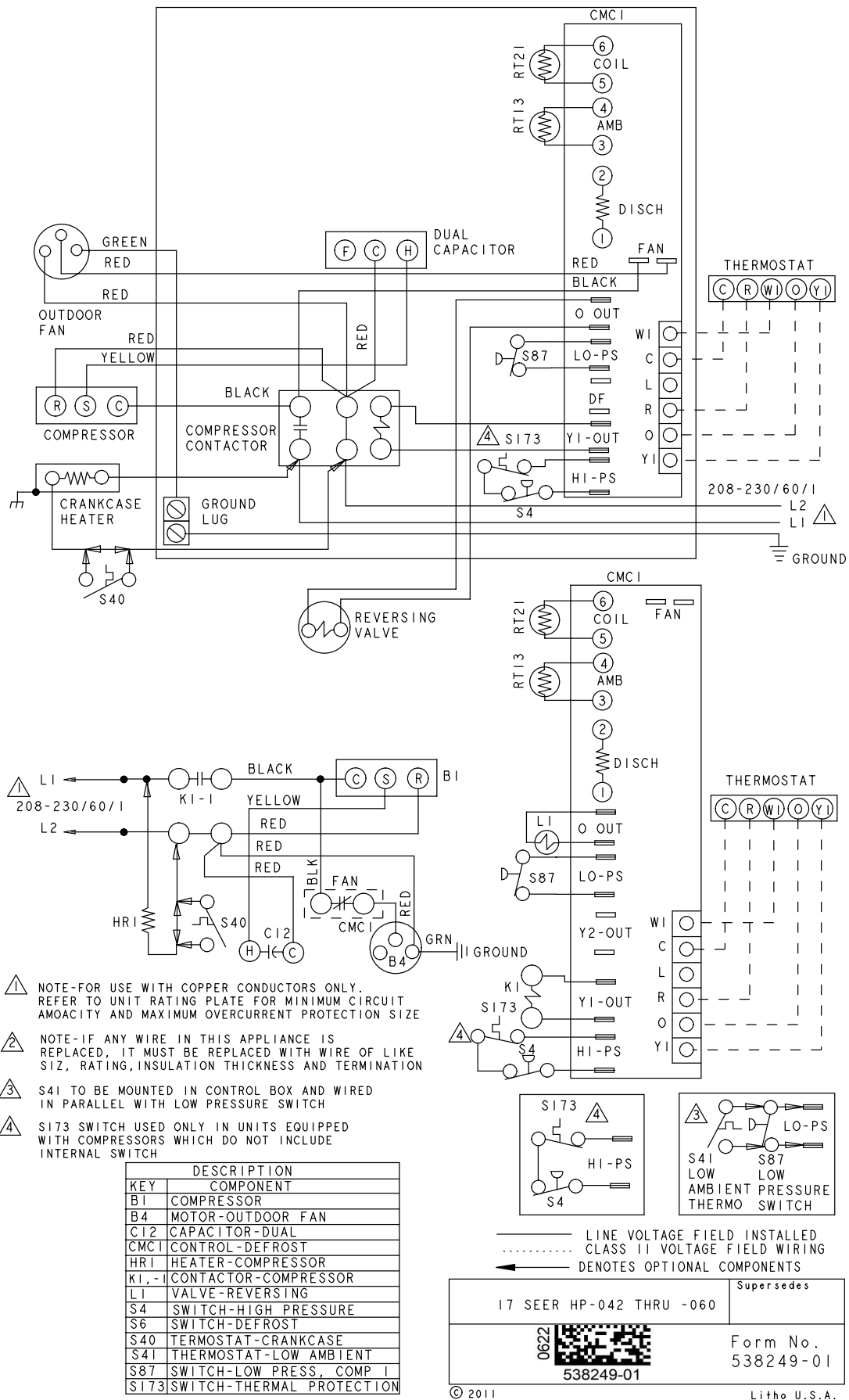


Figure 14. Wiring Diagram 042 - 060 Models

Charge Labels

17 SEER SINGLE STAGE HEAT PUMP CHARGING PROCEDURE (R410A) 4SHP17LE118P-51

CHARGE BY WEIGHT:

- 1- THE CONDENSER UNIT IS FACTORY CHARGED WITH R410A
- 2- THE RATING PLATE LISTED CHARGE AMOUNT IS FOR 15 FEET OF LINE SET
- 3- ADD 0.6 OZ OF FREON FOR EVERY ONE FOOT OF LINE SET OVER 15 FEET
- 4- REMOVE 0.6 OZ OF FREON FOR EVERY ONE FOOT OF LINE SET UNDER 15 FEET

CHARGE BY SUBCOOLING (COOLING MODE):

- 1- IF AMBIENT TEMPERATURE IS ABOVE 65°F, CHARGE THE SYSTEM IN COOLING MODE
- 2- THE SUBCOOLING METHOD IS USED FOR SYSTEMS WITH INDOOR TXV
- 3- START THE SYSTEM IN COOLING AND LOWER THE THERMOSTAT SETTING TO MINIMUM SETTING
- 4- CHECK AIR FLOW AND RUN THE SYSTEM FOR 20 MINUTES FOR STABILIZATION
- 5- THE VALUES LISTED IN THE TABLE BELOW ARE BASED ON 70 TO 80 °F INDOOR RETURN AIR TEMPERATURE
- 6- ADJUST CHARGE TO MEET THE SUBCOOLING LISTED UNDER "COOLING" FOR THE LISTED INDOOR MATCH

CHARGE BY SUBCOOLING (HEATING MODE):

- 1- IF AMBIENT TEMPERATURE IS BELOW 65°F, CHARGE THE SYSTEM IN HEATING MODE
- 2- ALL HEAT PUMPS HAVE FACTORY INSTALLED OUTDOOR TXV
- 3- START THE SYSTEM IN HEATING AND RAISE THE THERMOSTAT SETTING TO MAXIMUM SETTING
- 4- CHECK AIR FLOW AND RUN THE SYSTEM FOR 20 MINUTES FOR STABILIZATION
- 5- THE VALUES LISTED IN THE TABLE BELOW ARE BASED ON 65 TO 75 °F INDOOR RETURN AIR TEMPERATURE
- 6- ADJUST CHARGE TO MEET THE SUBCOOLING LISTED UNDER "HEATING" FOR THE LISTED INDOOR MATCH
- 7- IF FEASIBLE, DOUBLE CHECK THE FINAL CHARGE LEVEL DURING THE COOLING SEASON

SUBCOOLING AT SERVICE VALVE

INDOOR UNIT	COOLING ± 1°F	HEATING ± 5°F
BCE5C18M, BCE5V18M	9	11
BCE7E18M, BCE7S24M	13	15
EAC4X24(A,B)	6	13
EAC4X30(A,B)	8	11
EAHIP24A	8	16
EAHIP24B	8	14
EAHIP30B	8	11
EDIP24(A,B)	8	15
EDIP30/36B	4	18

OPERATING PRESSURES CHECK:

- 1- THE PRESSURE VALUES LISTED BELOW ARE NOT INTENDED FOR CHARGING, BUT TO CONFIRM PROPER SYSTEM OPERATION
- 2- THE PRESSURE VALUES CAN VARY BASED ON THE DIFFERENT INSTALLATIONS

NORMAL OPERATING PRESSURES (± 10 PSI LIQUID/ ± 5 PSI SUCTION)

AMBIENT °F	HEATING					COOLING					
	20	30	40	50	60	65	75	85	95	105	115
LIQUID/SUCTION	283/68	296/83	314/101	331/119	348/138	226/138	261/142	302/144	349/148	400/149	457/153



**17 SEER SINGLE STAGE HEAT PUMP CHARGING PROCEDURE (R410A)
4SHP17LE124P-51**

CHARGE BY WEIGHT:

- 1- THE CONDENSER UNIT IS FACTORY CHARGED WITH R410A
- 2- THE RATING PLATE LISTED CHARGE AMOUNT IS FOR 15 FEET OF LINE SET
- 3- ADD 0.6 OZ OF FREON FOR EVERY ONE FOOT OF LINE SET OVER 15 FEET
- 4- REMOVE 0.6 OZ OF FREON FOR EVERY ONE FOOT OF LINE SET UNDER 15 FEET

CHARGE BY SUBCOOLING (COOLING MODE):

- 1- IF AMBIENT TEMPERATURE IS ABOVE 65°F, CHARGE THE SYSTEM IN COOLING MODE
- 2- THE SUBCOOLING METHOD IS USED FOR SYSTEMS WITH INDOOR TXV
- 3- START THE SYSTEM IN COOLING AND LOWER THE THERMOSTAT SETTING TO MINIMUM SETTING
- 4- CHECK AIR FLOW AND RUN THE SYSTEM FOR 20 MINUTES FOR STABILIZATION
- 5- THE VALUES LISTED IN THE TABLE BELOW ARE BASED ON 70 TO 80 °F INDOOR RETURN AIR TEMPERATURE
- 6- ADJUST CHARGE TO MEET THE SUBCOOLING LISTED UNDER "COOLING" FOR THE LISTED INDOOR MATCH

CHARGE BY SUBCOOLING (HEATING MODE):

- 1- IF AMBIENT TEMPERATURE IS BELOW 65°F, CHARGE THE SYSTEM IN HEATING MODE
- 2- ALL HEAT PUMPS HAVE FACTORY INSTALLED OUTDOOR TXV
- 3- START THE SYSTEM IN HEATING AND RAISE THE THERMOSTAT SETTING TO MAXIMUM SETTING
- 4- CHECK AIR FLOW AND RUN THE SYSTEM FOR 20 MINUTES FOR STABILIZATION
- 5- THE VALUES LISTED IN THE TABLE BELOW ARE BASED ON 65 TO 75 °F INDOOR RETURN AIR TEMPERATURE
- 6- ADJUST CHARGE TO MEET THE SUBCOOLING LISTED UNDER "HEATING" FOR THE LISTED INDOOR MATCH
- 7- IF FEASIBLE, DOUBLE CHECK THE FINAL CHARGE LEVEL DURING THE COOLING SEASON

SUBCOOLING AT SERVICE VALVE

INDOOR UNIT	COOLING ± 1°F	HEATING ± 5°F
BCE5C24M, BCE5V24M	8	12
BCE7E24M, BCE7S24M	8	12
EAC4X24(A,B)	7	15
EAC4X30(A,B)	3	6
EAHIP24A	5	15
EAHIP30A	8	10
EAHIP30B	4	7
EDIP24(A,B)	6	15

OPERATING PRESSURES CHECK:

- 1- THE PRESSURE VALUES LISTED BELOW ARE NOT INTENDED FOR CHARGING, BUT TO CONFIRM PROPER SYSTEM OPERATION
- 2- THE PRESSURE VALUES CAN VARY BASED ON THE DIFFERENT INSTALLATIONS

NORMAL OPERATING PRESSURES (± 10 PSI LIQUID/ ± 5 PSI SUCTION)

AMBIENT °F	HEATING					COOLING					
	20	30	40	50	60	65	75	85	95	105	115
LIQUID/SUCTION	285/65	300/79	316/96	332/115	351/135	236/137	276/139	319/143	368/145	424/146	485/149



**17 SEER SINGLE STAGE HEAT PUMP CHARGING PROCEDURE (R410A)
4SHP17LE130P-51**

CHARGE BY WEIGHT:

- 1- THE CONDENSER UNIT IS FACTORY CHARGED WITH R410A
- 2- THE RATING PLATE LISTED CHARGE AMOUNT IS FOR 15 FEET OF LINE SET
- 3- ADD 0.6 OZ OF FREON FOR EVERY ONE FOOT OF LINE SET OVER 15 FEET
- 4- REMOVE 0.6 OZ OF FREON FOR EVERY ONE FOOT OF LINE SET UNDER 15 FEET

CHARGE BY SUBCOOLING (COOLING MODE):

- 1- IF AMBIENT TEMPERATURE IS ABOVE 65°F, CHARGE THE SYSTEM IN COOLING MODE
- 2- THE SUBCOOLING METHOD IS USED FOR SYSTEMS WITH INDOOR TXV
- 3- START THE SYSTEM IN COOLING AND LOWER THE THERMOSTAT SETTING TO MINIMUM SETTING
- 4- CHECK AIR FLOW AND RUN THE SYSTEM FOR 20 MINUTES FOR STABILIZATION
- 5- THE VALUES LISTED IN THE TABLE BELOW ARE BASED ON 70 TO 80 °F INDOOR RETURN AIR TEMPERATURE
- 6- ADJUST CHARGE TO MEET THE SUBCOOLING LISTED UNDER "COOLING" FOR THE LISTED INDOOR MATCH

CHARGE BY SUBCOOLING (HEATING MODE):

- 1- IF AMBIENT TEMPERATURE IS BELOW 65°F, CHARGE THE SYSTEM IN HEATING MODE
- 2- ALL HEAT PUMPS HAVE FACTORY INSTALLED OUTDOOR TXV
- 3- START THE SYSTEM IN HEATING AND RAISE THE THERMOSTAT SETTING TO MAXIMUM SETTING
- 4- CHECK AIR FLOW AND RUN THE SYSTEM FOR 20 MINUTES FOR STABILIZATION
- 5- THE VALUES LISTED IN THE TABLE BELOW ARE BASED ON 65 TO 75 °F INDOOR RETURN AIR TEMPERATURE
- 6- ADJUST CHARGE TO MEET THE SUBCOOLING LISTED UNDER "HEATING" FOR THE LISTED INDOOR MATCH
- 7- IF FEASIBLE, DOUBLE CHECK THE FINAL CHARGE LEVEL DURING THE COOLING SEASON

SUBCOOLING AT SERVICE VALVE

INDOOR UNIT	COOLING ± 1°F	HEATING ± 5°F
BCE5C30M, BCE5V30M	7	14
BCE7E30M, BCE7S30M	7	15
EAC4X30(A,B)	7	14
EAC4X36(A,B)	9	14
EAHIP30A	5	15
EAHIP36C	6	11
EDIP30/36(B,C)	6	16

OPERATING PRESSURES CHECK:

- 1- THE PRESSURE VALUES LISTED BELOW ARE NOT INTENDED FOR CHARGING, BUT TO CONFIRM PROPER SYSTEM OPERATION
- 2- THE PRESSURE VALUES CAN VARY BASED ON THE DIFFERENT INSTALLATIONS

NORMAL OPERATING PRESSURES (± 10 PSI LIQUID/ ± 5 PSI SUCTION)

AMBIENT °F	HEATING					COOLING					
	20	30	40	50	60	65	75	85	95	105	115
LIQUID/SUCTION	282/67	296/82	311/99	328/119	344/139	225/139	259/143	302/142	347/145	398/148	454/151



**17 SEER SINGLE STAGE HEAT PUMP CHARGING PROCEDURE (R410A)
4SHP17LE136P-51**

CHARGE BY WEIGHT:

- 1- THE CONDENSER UNIT IS FACTORY CHARGED WITH R410A
- 2- THE RATING PLATE LISTED CHARGE AMOUNT IS FOR 15 FEET OF LINE SET
- 3- ADD 0.6 OZ OF FREON FOR EVERY ONE FOOT OF LINE SET OVER 15 FEET
- 4- REMOVE 0.6 OZ OF FREON FOR EVERY ONE FOOT OF LINE SET UNDER 15 FEET

CHARGE BY SUBCOOLING (COOLING MODE):

- 1- IF AMBIENT TEMPERATURE IS ABOVE 65°F, CHARGE THE SYSTEM IN COOLING MODE
- 2- THE SUBCOOLING METHOD IS USED FOR SYSTEMS WITH INDOOR TXV
- 3- START THE SYSTEM IN COOLING AND LOWER THE THERMOSTAT SETTING TO MINIMUM SETTING
- 4- CHECK AIR FLOW AND RUN THE SYSTEM FOR 20 MINUTES FOR STABILIZATION
- 5- THE VALUES LISTED IN THE TABLE BELOW ARE BASED ON 70 TO 80 °F INDOOR RETURN AIR TEMPERATURE
- 6- ADJUST CHARGE TO MEET THE SUBCOOLING LISTED UNDER "COOLING" FOR THE LISTED INDOOR MATCH

CHARGE BY SUBCOOLING (HEATING MODE):

- 1- IF AMBIENT TEMPERATURE IS BELOW 65°F, CHARGE THE SYSTEM IN HEATING MODE
- 2- ALL HEAT PUMPS HAVE FACTORY INSTALLED OUTDOOR TXV
- 3- START THE SYSTEM IN HEATING AND RAISE THE THERMOSTAT SETTING TO MAXIMUM SETTING
- 4- CHECK AIR FLOW AND RUN THE SYSTEM FOR 20 MINUTES FOR STABILIZATION
- 5- THE VALUES LISTED IN THE TABLE BELOW ARE BASED ON 65 TO 75 °F INDOOR RETURN AIR TEMPERATURE
- 6- ADJUST CHARGE TO MEET THE SUBCOOLING LISTED UNDER "HEATING" FOR THE LISTED INDOOR MATCH
- 7- IF FEASIBLE, DOUBLE CHECK THE FINAL CHARGE LEVEL DURING THE COOLING SEASON

SUBCOOLING AT SERVICE VALVE

INDOOR UNIT	COOLING ± 1°F	HEATING ± 5°F
BCE5C36M, BCE5V36M	8	15
BCE7E36M, BCE7S36M	8	17
EAC4X36(A,B)	6	13
EAC4X48(B,C)	8	11
EAC4X50/60C	6	10
EAHIP42B	11	12
EAHIP48B	8	15
EAHIP51C	9	11
EDIP48(B,C)	6	19
EDIP50/60C	10	12

OPERATING PRESSURES CHECK:

- 1- THE PRESSURE VALUES LISTED BELOW ARE NOT INTENDED FOR CHARGING, BUT TO CONFIRM PROPER SYSTEM OPERATION
- 2- THE PRESSURE VALUES CAN VARY BASED ON THE DIFFERENT INSTALLATIONS

NORMAL OPERATING PRESSURES (± 10 PSI LIQUID/ ± 5 PSI SUCTION)

AMBIENT °F	HEATING					COOLING					
	20	30	40	50	60	65	75	85	95	105	115
LIQUID/SUCTION	287/63	299/73	315/90	330/106	344/126	235/136	273/139	316/142	363/143	413/146	470/149



**17 SEER SINGLE STAGE HEAT PUMP CHARGING PROCEDURE (R410A)
4SHP17LE142P-51**

CHARGE BY WEIGHT:

- 1- THE CONDENSER UNIT IS FACTORY CHARGED WITH R410A
- 2- THE RATING PLATE LISTED CHARGE AMOUNT IS FOR 15 FEET OF LINE SET
- 3- ADD 0.6 OZ OF FREON FOR EVERY ONE FOOT OF LINE SET OVER 15 FEET
- 4- REMOVE 0.6 OZ OF FREON FOR EVERY ONE FOOT OF LINE SET UNDER 15 FEET

CHARGE BY SUBCOOLING (COOLING MODE):

- 1- IF AMBIENT TEMPERATURE IS ABOVE 65°F, CHARGE THE SYSTEM IN COOLING MODE
- 2- THE SUBCOOLING METHOD IS USED FOR SYSTEMS WITH INDOOR TXV
- 3- START THE SYSTEM IN COOLING AND LOWER THE THERMOSTAT SETTING TO MINIMUM SETTING
- 4- CHECK AIR FLOW AND RUN THE SYSTEM FOR 20 MINUTES FOR STABILIZATION
- 5- THE VALUES LISTED IN THE TABLE BELOW ARE BASED ON 70 TO 80 °F INDOOR RETURN AIR TEMPERATURE
- 6- ADJUST CHARGE TO MEET THE SUBCOOLING LISTED UNDER "COOLING" FOR THE LISTED INDOOR MATCH

CHARGE BY SUBCOOLING (HEATING MODE):

- 1- IF AMBIENT TEMPERATURE IS BELOW 65°F, CHARGE THE SYSTEM IN HEATING MODE
- 2- ALL HEAT PUMPS HAVE FACTORY INSTALLED OUTDOOR TXV
- 3- START THE SYSTEM IN HEATING AND RAISE THE THERMOSTAT SETTING TO MAXIMUM SETTING
- 4- CHECK AIR FLOW AND RUN THE SYSTEM FOR 20 MINUTES FOR STABILIZATION
- 5- THE VALUES LISTED IN THE TABLE BELOW ARE BASED ON 65 TO 75 °F INDOOR RETURN AIR TEMPERATURE
- 6- ADJUST CHARGE TO MEET THE SUBCOOLING LISTED UNDER "HEATING" FOR THE LISTED INDOOR MATCH
- 7- IF FEASIBLE, DOUBLE CHECK THE FINAL CHARGE LEVEL DURING THE COOLING SEASON

SUBCOOLING AT SERVICE VALVE

INDOOR UNIT	COOLING ± 1°F	HEATING ± 5°F
BCE5C42M, BCE5V42M	6	14
BCE7E42M, BCE7S42M	6	11
EAC4X49C	11	17
EAC4X60D	6	7
EAHIP48C	6	15
EAC4X60D	11	15
EDIP48(B,C)	6	34
EDIP50/60C	8	11

OPERATING PRESSURES CHECK:

- 1- THE PRESSURE VALUES LISTED BELOW ARE NOT INTENDED FOR CHARGING, BUT TO CONFIRM PROPER SYSTEM OPERATION
- 2- THE PRESSURE VALUES CAN VARY BASED ON THE DIFFERENT INSTALLATIONS

NORMAL OPERATING PRESSURES (± 10 PSI LIQUID/ ± 5 PSI SUCTION)

AMBIENT °F	HEATING					COOLING					
	20	30	40	50	60	65	75	85	95	105	115
LIQUID/SUCTION	306/65	321/78	336/94	348/110	367/129	227/134	264/138	306/141	352/144	403/146	461/149



**17 SEER SINGLE STAGE HEAT PUMP CHARGING PROCEDURE (R410A)
4SHP17LE148P-51**

CHARGE BY WEIGHT:

- 1- THE CONDENSER UNIT IS FACTORY CHARGED WITH R410A
- 2- THE RATING PLATE LISTED CHARGE AMOUNT IS FOR 15 FEET OF LINE SET
- 3- ADD 0.6 OZ OF FREON FOR EVERY ONE FOOT OF LINE SET OVER 15 FEET
- 4- REMOVE 0.6 OZ OF FREON FOR EVERY ONE FOOT OF LINE SET UNDER 15 FEET

CHARGE BY SUBCOOLING (COOLING MODE):

- 1- IF AMBIENT TEMPERATURE IS ABOVE 65°F, CHARGE THE SYSTEM IN COOLING MODE
- 2- THE SUBCOOLING METHOD IS USED FOR SYSTEMS WITH INDOOR TXV
- 3- START THE SYSTEM IN COOLING AND LOWER THE THERMOSTAT SETTING TO MINIMUM SETTING
- 4- CHECK AIR FLOW AND RUN THE SYSTEM FOR 20 MINUTES FOR STABILIZATION
- 5- THE VALUES LISTED IN THE TABLE BELOW ARE BASED ON 70 TO 80 °F INDOOR RETURN AIR TEMPERATURE
- 6- ADJUST CHARGE TO MEET THE SUBCOOLING LISTED UNDER "COOLING" FOR THE LISTED INDOOR MATCH

CHARGE BY SUBCOOLING (HEATING MODE):

- 1- IF AMBIENT TEMPERATURE IS BELOW 65°F, CHARGE THE SYSTEM IN HEATING MODE
- 2- ALL HEAT PUMPS HAVE FACTORY INSTALLED OUTDOOR TXV
- 3- START THE SYSTEM IN HEATING AND RAISE THE THERMOSTAT SETTING TO MAXIMUM SETTING
- 4- CHECK AIR FLOW AND RUN THE SYSTEM FOR 20 MINUTES FOR STABILIZATION
- 5- THE VALUES LISTED IN THE TABLE BELOW ARE BASED ON 65 TO 75 °F INDOOR RETURN AIR TEMPERATURE
- 6- ADJUST CHARGE TO MEET THE SUBCOOLING LISTED UNDER "HEATING" FOR THE LISTED INDOOR MATCH
- 7- IF FEASIBLE, DOUBLE CHECK THE FINAL CHARGE LEVEL DURING THE COOLING SEASON

SUBCOOLING AT SERVICE VALVE

INDOOR UNIT	COOLING ± 1°F	HEATING ± 5°F
BCE5C48M, BCE5V48M	5	11
BCE7E48M, BCE7S48M	4	10
EAC4X48(B,C)	4	16
EAC4X49C	7	11
EAC4X50/60C	4	16
EAC4X60C	11	13
EAHIP48B	2	13
EAHIP48C	4	14
EAHIP51C	5	10
EAHIP60D	9	13
EDIP48(B,C)	4	33
EDIP50/60C, EDIP60D	4	8

OPERATING PRESSURES CHECK:

- 1- THE PRESSURE VALUES LISTED BELOW ARE NOT INTENDED FOR CHARGING, BUT TO CONFIRM PROPER SYSTEM OPERATION
- 2- THE PRESSURE VALUES CAN VARY BASED ON THE DIFFERENT INSTALLATIONS

NORMAL OPERATING PRESSURES (± 10 PSI LIQUID/ ± 5 PSI SUCTION)

AMBIENT °F	HEATING					COOLING					
	20	30	40	50	60	65	75	85	95	105	115
LIQUID/SUCTION	300/61	314/76	328/90	341/107	356/126	231/134	269/136	311/138	358/140	409/144	467/146



**17 SEER SINGLE STAGE HEAT PUMP CHARGING PROCEDURE (R410A)
4SHPI7LE160P-51**

CHARGE BY WEIGHT:

- 1- THE CONDENSER UNIT IS FACTORY CHARGED WITH R410A
- 2- THE RATING PLATE LISTED CHARGE AMOUNT IS FOR 15 FEET OF LINE SET
- 3- ADD 0.6 OZ OF FREON FOR EVERY ONE FOOT OF LINE SET OVER 15 FEET
- 4- REMOVE 0.6 OZ OF FREON FOR EVERY ONE FOOT OF LINE SET UNDER 15 FEET

CHARGE BY SUBCOOLING (COOLING MODE):

- 1- IF AMBIENT TEMPERATURE IS ABOVE 65°F, CHARGE THE SYSTEM IN COOLING MODE
- 2- THE SUBCOOLING METHOD IS USED FOR SYSTEMS WITH INDOOR TXV
- 3- START THE SYSTEM IN COOLING AND LOWER THE THERMOSTAT SETTING TO MINIMUM SETTING
- 4- CHECK AIR FLOW AND RUN THE SYSTEM FOR 20 MINUTES FOR STABILIZATION
- 5- THE VALUES LISTED IN THE TABLE BELOW ARE BASED ON 70 TO 80 °F INDOOR RETURN AIR TEMPERATURE
- 6- ADJUST CHARGE TO MEET THE SUBCOOLING LISTED UNDER "COOLING" FOR THE LISTED INDOOR MATCH

CHARGE BY SUBCOOLING (HEATING MODE):

- 1- IF AMBIENT TEMPERATURE IS BELOW 65°F, CHARGE THE SYSTEM IN HEATING MODE
- 2- ALL HEAT PUMPS HAVE FACTORY INSTALLED OUTDOOR TXV
- 3- START THE SYSTEM IN HEATING AND RAISE THE THERMOSTAT SETTING TO MAXIMUM SETTING
- 4- CHECK AIR FLOW AND RUN THE SYSTEM FOR 20 MINUTES FOR STABILIZATION
- 5- THE VALUES LISTED IN THE TABLE BELOW ARE BASED ON 65 TO 75 °F INDOOR RETURN AIR TEMPERATURE
- 6- ADJUST CHARGE TO MEET THE SUBCOOLING LISTED UNDER "HEATING" FOR THE LISTED INDOOR MATCH
- 7- IF FEASIBLE, DOUBLE CHECK THE FINAL CHARGE LEVEL DURING THE COOLING SEASON

SUBCOOLING AT SERVICE VALVE

INDOOR UNIT	COOLING ± 1°F	HEATING ± 5°F
BCE5C60M, BCE5V60M	6	10
BCE7E60M, BCE7S60M	5	7
EAC4X49C	6	10
EAC4X60(C,D)	6	9
EAHIP51C	4	10
EAHIP60D	5	8
EDIP50/60C, EDIP60D	4	12

OPERATING PRESSURES CHECK:

- 1- THE PRESSURE VALUES LISTED BELOW ARE NOT INTENDED FOR CHARGING, BUT TO CONFIRM PROPER SYSTEM OPERATION
- 2- THE PRESSURE VALUES CAN VARY BASED ON THE DIFFERENT INSTALLATIONS

NORMAL OPERATING PRESSURES (± 10 PSI LIQUID/ ± 5 PSI SUCTION)

AMBIENT °F	HEATING					COOLING					
	20	30	40	50	60	65	75	85	95	105	115
LIQUID/SUCTION	301/61	324/72	340/89	353/105	370/121	235/122	276/130	319/132	366/136	418/136	475/140



HFC-410A CHARGING INFORMATION – FOR COMPLETE CHARGING DETAILS, REFER TO THE OUTDOOR UNIT INSTALLATION INSTRUCTIONS

Maintenance checks using the Normal Operating Pressures table

Table 1 may be used to help perform maintenance checks. This table is not a procedure for charging the system and any minor variations in the pressures may be expected due to differences in installations. However, significant deviations could mean that the system is not properly charged or that a problem exists with some component in the system.

Charge Using the Subcooling Method (TXV Systems)

Cooling Mode – When the outdoor ambient temperature is 60°F (15°C) and above, use the cooling mode to adjust the charge using the subcooling method. Target subcooling values in table 2 are based on 70 to 80°F (21-27°C) indoor return air temperature.

Heating Mode – When the outdoor ambient temperature is below 60°F (15°C), use the heating mode to adjust the charge using the subcooling charge levels. Target subcooling values in table 2 are based on 65-75°F (18-24°C) indoor return air temperature.

Matchups/Charge Levels and Line Set Lengths

Table 2 lists all the recommended indoor unit matchups along with the charge levels for the various sizes of outdoor units. **Charge levels on the unit nameplate are based on installations with 15ft. (4.6m) line sets; on line sets with 3/8in. (9.5mm) liquid line, add 0.6oz additional refrigerant for every 1ft. (0.3m), longer than 15ft. If line length is less than 15ft., subtract this amount (see Installation Instructions for more details).**

Charge Using the Weigh-in Method

If the system is void of refrigerant, locate and repair any leaks, evacuate system, and then weigh in the refrigerant charge into the unit. For charge adjustments, be sure to consider line set length differences and, referring to table 1, adjust for the matchup difference.

- 1 - Recover the refrigerant from the unit.
- 2 - Conduct leak check; evacuate as previously outlined.
- 3 - Weigh in the unit nameplate charge, adjusting for matchup and line set length differences. If weighing facilities are not available use the Subcooling method.

Table 1 – Normal Operating Pressures (Liquid ±10 and Suction ±5 psig)

°F*	Heating Mode					Cooling Mode						
	20	30	40	50	60	65	75	85	95	105	115	
SIZE	VAP/LIQ	VAP/LIQ	VAP/LIQ	VAP/LIQ	VAP/LIQ	VAP/LIQ	VAP/LIQ	VAP/LIQ	VAP/LIQ	VAP/LIQ	VAP/LIQ	VAP/LIQ
-018	283/68	296/83	314/101	331/119	348/138	226/138	261/142	302/144	349/148	400/149	457/153	
-024	285/65	300/79	316/96	332/115	351/135	236/137	276/139	319/143	368/145	424/146	485/149	
-030	282/67	296/82	311/99	328/119	344/139	225/139	259/143	302/142	347/145	398/148	454/151	
-036	287/63	299/73	315/90	330/106	344/126	235/136	273/139	316/142	363/143	413/146	470/149	
-042	306/65	321/78	336/94	348/110	367/129	227/134	264/138	306/141	352/144	403/146	461/149	
-048	300/61	314/76	328/90	341/107	356/126	231/134	269/136	311/138	358/140	409/144	467/146	
-060	301/61	324/72	340/89	353/105	370/121	235/122	276/130	319/132	366/136	418/136	475/140	

*Temperature of air entering the outdoor coil.

The values in this table are most popular match-up pressures; indoor match-up, indoor air quantity, and indoor load will cause the pressures to vary.

Table 2 – Indoor Unit Matches and Subcooling Charge Levels (TXV System) and Additional Charge (15 ft. Lineset)**

Indoor Matchup	Subcool		Additional Charge lbs / oz
	Heat (±5°F)	Cool (±1°F)	
1.5 Ton HP			
BCE5C18M	11	9	0 lb 8 oz
BCE5V18M	11	9	0 lbs 8 oz
BCE7E18M	15	13	1 lbs 15 oz
BCE7S24M	15	13	1 lbs 15 oz
EAC4X24A / EA(C,U)1P24A	13	6	0 lb 3 oz
EAC4X24B / EA(C,U)1P24B	13	6	0 lb 3 oz
EAC4X30A / EA(C,U)1P30A	11	8	1 lb 0 oz
EAC4X30B / EA(C,U)1P30B	11	8	1 lb 0 oz
EAH1P24A	16	8	0 lb 4 oz
EAH1P24B	14	8	0 lb 0 oz
EAH1P30B	11	8	1 lb 0 oz
ED1P24A	15	8	1 lb 9 oz
ED1P24B	15	8	1 lb 9 oz
ED1P30/36B	18	4	0 lb 2 oz
2.0 Ton HP			
BCE5C24M	12	8	1 lb 12 oz
BCE5V24M	12	8	1 lb 12 oz
BCE7E24M	12	8	1 lbs 0 oz
BCE7S24M	12	8	1 lbs 0 oz
EAC4X24A / EA(C,U)1P24A	15	7	1 lb 5 oz
EAC4X24B / EA(C,U)1P24B	15	7	1 lb 5 oz
EAC4X30A / EA(C,U)1P30A	6	3	0 lb 12 oz
EAC4X30B / EA(C,U)1P30B	6	3	0 lb 12 oz
EAH1P24A	15	5	0 lb 12 oz
EAH1P30A	10	8	1 lb 6 oz
EAH1P30B	7	4	1 lb 0 oz
ED1P24A	15	6	0 lb 0 oz
ED1P24B	15	6	0 lb 0 oz
2.5 Ton HP			
BCE5C30M	14	7	1 lb 6 oz
BCE5V30M	14	7	1 lb 6 oz
BCE7E30M	15	7	1 lbs 7 oz
BCE7S30M	15	7	1 lbs 7 oz
EAC4X30A / EA(C,U)1P30A	14	7	1 lb 13 oz
EAC4X30B / EA(C,U)1P30B	14	7	1 lb 13 oz
EAC4X36A / EA(C,U)1P36A	14	9	1 lbs 4 oz
EAC4X36B / EA(C,U)1P36B	14	9	1 lb 4 oz

Indoor Matchup	Subcool		Additional Charge lbs / oz
	Heat (±5°F)	Cool (±1°F)	
EAH1P30A	15	5	0 lb 0 oz
EAH1P36C	11	6	0 lbs 14 oz
ED1P30/36B	16	6	0 lb 11 oz
ED1P30/36C	16	6	0 lb 11 oz
3.0 Ton HP			
BCE5C36M	15	8	1 lb 2 oz
BCE5V36M	15	8	1 lb 2 oz
BCE7E36M	17	8	1 lbs 1 oz
BCE7S36M	17	8	1 lbs 1 oz
EAC4X36A / EA(C,U)1P36A	13	6	1 lbs 6 oz
EAC4X36B / EA(C,U)1P36B	13	6	1 lb 6 oz
EAC4X48B / EA(C,U)1P48B	11	8	0 lb 13 oz
EAC4X48C / EA(C,U)1P48C	11	8	0 lb 13 oz
EAC4X50/60C / EA(C,U)1P50/60C	10	6	0 lbs 0 oz
EAH1P42B	12	11	2 lb 11 oz
EAH1P48B	15	8	2 lb 3 oz
EAH1P51C	11	9	1 lb 15 oz
ED1P48B	19	6	1 lb 2 oz
ED1P48C	19	6	1 lb 2 oz
ED1P50/60C	12	10	2 lb 2 oz
3.5 Ton HP			
BCE5C42M	14	6	0 lb 1 oz
BCE5V42M	14	6	0 lb 1 oz
BCE7E42M	11	6	0 lbs 2 oz
BCE7S42M	11	6	0 lbs 2 oz
EAC4X49C / EA(C,U)1P49C	17	11	1 lb 12 oz
EAC4X60D / EA(C,U)1P60D	7	6	0 lb 6 oz
EAH1P48C	15	6	0 lb 0 oz
EAH1P60D	15	11	3 lb 3 oz
ED1P48B	34	6	0 lb 2 oz
ED1P48C	34	6	0 lb 2 oz
ED1P50/60C	11	8	1 lb 14 oz
4.0 Ton HP			
BCE5C48M	11	5	0 lb 10 oz
BCE5V48M	11	5	0 lb 10 oz

Indoor Matchup	Subcool		Additional Charge lbs / oz
	Heat (±5°F)	Cool (±1°F)	
BCE7E48M	10	4	1 lbs 2 oz
BCE7S48M	10	4	1 lbs 2 oz
EAC4X48B / EA(C,U)1P48B	16	4	0 lb 10 oz
EAC4X48C / EA(C,U)1P48C	16	4	0 lb 10 oz
EAC4X49C / EA(C,U)1P49C	11	7	1 lb 12 oz
EAC4X50/60C / EA(C,U)1P50/60C	16	4	0 lbs 10 oz
EAC4X60C / EA(C,U)1P60C	13	11	2 lb 8 oz
EAH1P48B	13	2	0 lb 0 oz
EAH1P48C	14	4	0 lb 6 oz
EAH1P51C	10	5	1 lb 0 oz
EAH1P60D	13	9	2 lb 10 oz
ED1P48B	33	4	0 lb 8 oz
ED1P48C	33	4	0 lb 8 oz
ED1P50/60C	8	4	2 lb 0 oz
ED1P60D	8	4	2 lb 0 oz
5.0 Ton HP			
BCE5C60M	10	6	1 lb 3 oz
BCE5V60M	10	6	1 lb 3 oz
BCE7E60M	7	5	2 lbs 2 oz
BCE7S60M	7	5	2 lbs 2 oz
EAC4X49C / EA(C,U)1P49C	10	6	1 lb 6 oz
EAC4X60C / EA(C,U)1P60C	9	6	1 lb 6 oz
EAC4X60D / EA(C,U)1P60D	9	6	1 lb 6 oz
EAH1P51C	10	4	0 lb 0 oz
EAH1P60D	8	5	0 lb 4 oz
ED1P50/60C	12	4	0 lb 11 oz
ED1P60D	12	4	0 lb 11 oz

**Amount of charge required in addition to charge shown on unit nameplate.



Start-Up and Performance Checklist

Job Name _____ Job no. _____ Date _____

Job Location _____ City _____ State _____

Installer _____ City _____ State _____

Unit Model No. _____ Serial No. _____ Service Technician _____

Nameplate Voltage _____

Rated Load Ampacity _____ Compressor _____ Outdoor Fan _____

Maximum Fuse or Circuit Breaker _____

Electrical Connections Tight? Indoor Filter Clean? Supply Voltage (Unit Off) _____

Indoor Blower RPM _____ S.P. Drop Over Indoor (Dry) _____ Outdoor Coil Entering Air Temp. _____

Discharge Pressure _____ Vapor Pressure _____ Refrigerant Charge Checked?

Refrigerant Lines: Leak Checked? Properly Insulated? Outdoor Fan Checked?

Services Valve: Fully Opened? Caps Tight? Thermostat

Voltage with Compressor Operating _____ Calibrated? Properly Set? Level?