

Features

- Stream music wirelessly in the bath from a Bluetooth®*-enabled personal device.
- Play music in the bathroom while taking a bath or getting ready to go out.
- Complete installation package that includes two speakers with wiring, amplifier, adhesive and instructions.
- Wireless Music Kit is listed as a recommended accessory or upgrade, both on Kohler.com and on bath specification sheets, for compatible KOHLER rectangle or oval shaped acrylic bath models.
- Syncs with devices enabled with BLUETOOTH® wireless technology including smartphones, MP3 players, tablets, and laptops located up to 33 feet away.*

Installation

- Music system utilizes 120V plug.
- This accessory is not factory installed, and is designed to be retrofitted onto new baths in the field prior to the bath installation.
- Compatibility requirement: This accessory can be installed onto new installations of acrylic baths, as long as access to Wireless Music Kit components will be available after the installation of the bath. This product is not compatible with baths that are already installed, or apron soaking baths without an access panel.
- 120V service.

Recommended Products/Accessories

K-23723 Faucet cleaner

Included Components

Additional Components:

K-99696 Amplifier Module
6 ft. RJ45 cable
Brackets for wall or shelf mounting
Connector for two speakers
Drywall anchors
Power Supply with universal plug-in adapters for NA, UK, EU, SAA with 6 ft (1.8 M) cord
Screw(s)
Speakers with 25 ft. of speaker wire



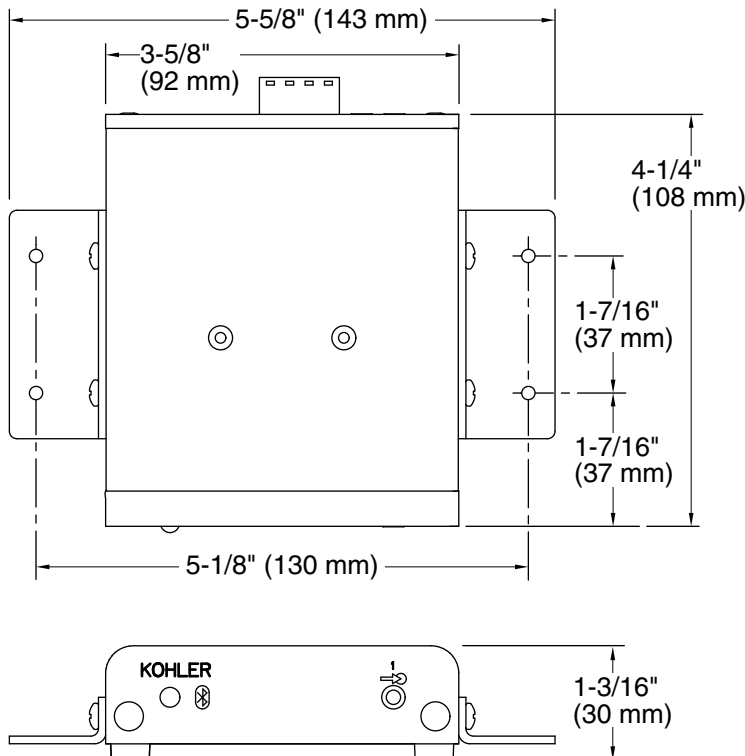
Codes/Standards

None Applicable

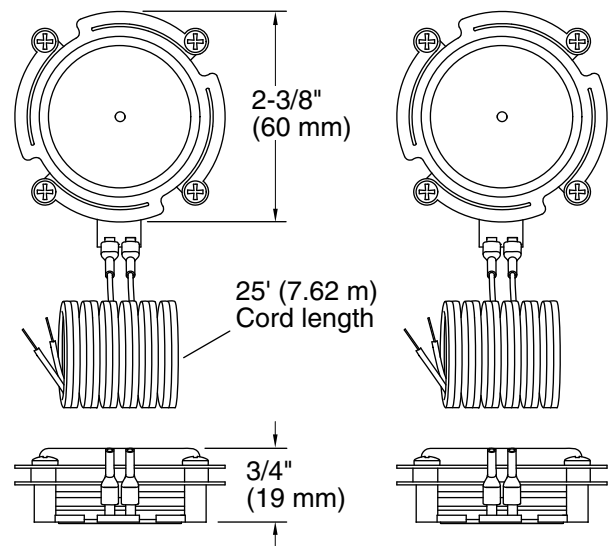
KOHLER® One-Year Limited Warranty

See website for detailed warranty information.

The BLUETOOTH® word mark and logos are registered trademarks owned by Bluetooth SIG, Inc. and any use of such marks by Kohler Co. is under license. Other trademarks and trade names are those of their respective owners.



Amplifier Module



Speakers - Includes 2

Required Electrical Service

One circuit required, protected with Class A Ground-Fault Circuit-Interrupter (GFCI). Outside North America, this device may be known as a Residual Current Device (RCD).

120 V, 15 A, 60 Hz

Technical Information

All product dimensions are nominal.

Material: Aluminum

Bluetooth® range: 33 ft (0.8 m)

Notes

Install this product according to the installation guide.

This product is intended for new bath installations only.

CAUTION: Risk of product damage. Do not install near heat sources (such as radiators or heat registers) or in any location where the temperature may exceed 104°F (40°C).

This product is not water-resistant. Do not install in a location where excessive moisture, high humidity levels, or condensation are present.

Provide a minimum of 6" (152 mm) of space around the amplifier for proper air flow.

Provide unrestricted service access to the amplifier.

Locate the amplifier within close proximity to a 15 A 120 V electrical outlet. A GFCI outlet may be required in certain applications.