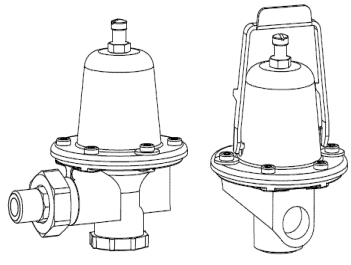


<b>JOB:</b>	<b>REPRESENTATIVE:</b>		
<b>UNIT TAG:</b>	<b>ORDER NO.</b>	<b>DATE:</b>	
<b>ENGINEER:</b>	<b>SUBMITTED BY:</b>	<b>DATE:</b>	
<b>CONTRACTOR:</b>	<b>APPROVED BY:</b>	<b>DATE:</b>	



## Lead Free\* Reducing Valves Valves and Fittings



**DESCRIPTION**

B & G reducing valves protect heating and plumbing systems against excessive line pressures. They are factory set at specified limits although adjustment is easily made. Equipped with built-in-strainer and low inlet pressure check valve. Tail piece for union models is combination - 1/2" cooper sweat and 1/2" male NPT.

**CONSTRUCTION**

**Wetted Parts:** BODY, cast lead free brass\*; DIAPHRAGM, EPT with special insert; CHECK VALVE, EPDM; SEAT, lead free brass\*; STEM, lead free brass\* with EPDM insert; VALVE PLATE, STRAINER AND STRAINER NUT, lead free brass\*.  
**Non-Wetted Parts:** steel.

\*contains less than .25% lead by weight on wetted surfaces

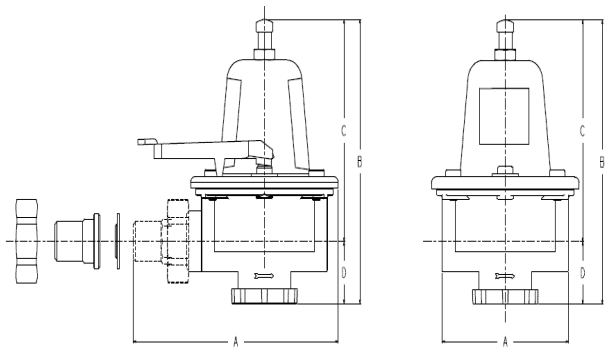
**SIZES & PERFORMANCE**

MODEL NUMBER	PART NUMBER	SIZE INCHES	FACTORY SETTING PSIG	ADJUSTABLE RANGE PSIG LBS(Kg)	TAGGING INFORMATION	QUANTITY
B-38	110190LF	1/2 NPT	12	10-25		
B7-12	110196LF	3/4 NPT	12	10-25		
B-38TU	110191LF	1/2 UNION NPT/SWEAT	12	10-25		
FB-38*	110192LF	1/2 NPT	12	10-25		
FB-38TU*	110193LF	1/2 UNION NPT/SWEAT	12	10-25		
6	110194LF	1/2 NPT	45	25-60		
7	110195LF	3/4 NPT	45	25-60		

MAXIMUM FLOW 5-1/2 – 6 GPM AT 125 PSIG INLET PRESSURE.

\*FAST FILL MODELS

MAXIMUM OPERATING TEMPERATURE 225°F(107°C) - MAXIMUM WORKING PRESSURE 125 PSIG (862 kPa)



MODEL NUMBER	DIMENSIONS - INCHES (mm)				APPROX. SHIPPING WT. LBS. (kg)
	A	B	C	D	
B-38	3-1/16 (77.8)	4-7/8 (123.8)	3-3/4 (95.3)	1-1/8 (28.6)	1-3/4 (0.8)
B7-12	3 (76.2)	5-1/32 (127.8)	3-23/32 (94.5)	1-5/16 (33.3)	2-1/4 (1.0)
B-38TU	4-31/32(126.2)	4-7/8 (123.8)	3-3/4 (95.3)	1-1/8 (28.6)	2 (0.9)
FB-38	3-1/16 (77.8)	4-7/8 (123.8)	3-3/4 (95.3)	1-1/8 (28.6)	1-3/4 (0.8)
FB-38TU	3-1/16 (77.8)	4-7/8 (123.8)	3-3/4 (95.3)	1-1/8 (28.6)	2 (0.9)
6	3-1/16 (77.8)	4-7/8 (123.8)	3-3/4 (95.3)	1-1/8 (28.6)	1-3/4 (0.8)
7	3 (76.2)	5-1/32 (127.8)	3-23/32 (94.5)	1-5/16 (33.3)	2-1/4 (1.0)

**TYPICAL SPECIFICATIONS**

Furnish and install as shown on plans, a diaphragm operated Pressure Reducing Valve with brass body, low inlet pressure check valve and inlet strainer. The strainer must be easily removed without system shutdown.

The valve seat, strainer and stem must be removable and of non-corrosive material.  
Xylem Bell & Gossett, No. \_\_\_\_\_ Set @ \_\_\_\_\_ lbs.

Xylem Inc.  
8200 N. Austin Avenue  
Morton Grove, IL 60053  
Phone: (847)966-3700  
Fax: (847)965-8379  
www.bellgossett.com

