



SEE PAGE 2 FOR A LIST OF ACCESSORIES! ▶



Design features:

- Produced from high-grade, reinforced, molded fiberglass for optimum strength and impact resistance using matched metal molds under heat and pressure.
- Ideal for new or remodel projects...fits all Topaz™ Fiberglass Bathtubs, as well as standard 30" x 60" bathtubs of other manufacturers.
- Includes a large, molded-in, self-draining shelf ideal for shampoo, soap, etc.
- Three panel wall system with seamless corner panels and overlapping edges, create a watertight wall surround.
- Panels can be trimmed to simplify installation in out-of-plumb alcoves or for installing DURATRIM® window kits.
- Adhesive and caulking provided
- Adhesive mounts to drywall or like surfaces
- Available in white, bone or biscuit.
- Smooth, colorfast semi-gloss finish, resists scuffs.
- Mold and mildew-resistant...easy to clean

Code Accepted

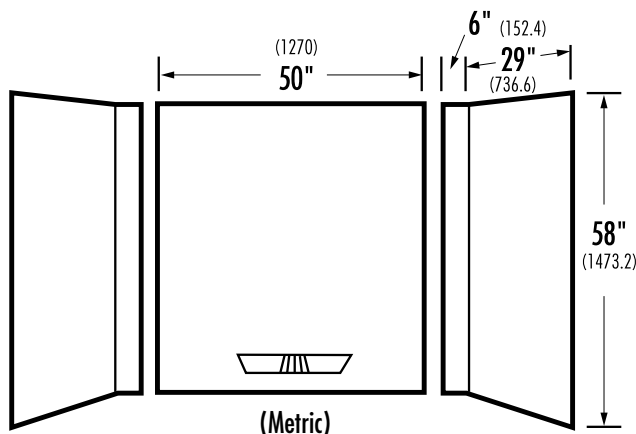
- American Society of Testing and Materials (ASTM) – D635, E-84 and E-162
- American National Standards Institute (ANSI) - Specification ANSI Z 124-2011
- Inhalation Toxicity Test – to evaluate inhalation health hazard with combustible products.
- CAN/ULC S102-07 Burn and Smoke Test



Specifications

Model	Color	Fits Alcove	UPC
350WHT	White	30" x 60"	6 71031 00266 2
350BN	Bone	30" x 60"	6 71031 00267 9
350BT	Biscuit	30" x 60"	6 71031 00379 9

General: Furnish and install as shown on plans DURAWALL® Bathtub Walls, model 350, as manufactured by E.L. Mustee & Sons, Inc. The wall system shall be three-piece construction with molded-in shelf and double face tape applied to edges of underside for a better seal. Panels shall include 20% fiberglass reinforced composite material and be manufactured with matched metal molds using extreme heat and pressure with a uniform thickness of 70 mils. Shall be semi-gloss, scuff-resistant surface. Unit shall meet or exceed applicable tests, per ANSI Z 124-2011. Color ____ (White, Bone or Biscuit). Shall include adhesive, caulk and instructions. Weight 62 lbs.





▶ **TOPAZ™ Premium Fiberglass Bathtubs, 30"x 60"**

Elegance, classic design, quality craftsmanship, deep colorfast finish...everything you're looking for in a premium soaking bathtub can be summed up in one word...TOPAZ™. These high quality bathtubs fit all Mustee bathtub wall systems and 30" x 60" standard bathtub walls.



Model No.	Color	Drain Location	UPC
T6030R	White	RH	6 71031 00413 0
T6030RBN	Bone	RH	6 71031 00414 7
T6030RBT	Biscuit	RH	6 71031 00432 1
T6030L	White	LH	6 71031 00411 6
T6030LBN	Bone	LH	6 71031 00414 7
T6030LBT	Biscuit	LH	6 71031 00432 1

▶ **300.600W/300.600BN DURATRIM® Fiberglass Window Trim Kits**

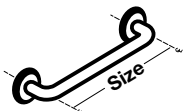
Should there be an existing window or plans for one where you want to install a new Mustee bathtub wall, our fiberglass window trim kits will create a beautiful finish to any window installation.



Model No.	Color	UPC
300.600W	White	6 71031 00060 6
300.600BN	Bone	6 71031 00061 3

▶ **CareGiver® Grab Bars— 1-1/2" Dia. Straight**

A wide range of 304 stainless steel grab bars in all popular styles, lengths and sizes are available to provide support and stability.



Model No.	Size	UPC
390.305	18"	6 71031 00452 9
390.301	24"	6 71031 00359 1
390.306	36"	6 71031 00434 5
390.307	42"	6 71031 00435 2
390.302	48"	6 71031 00360 7

