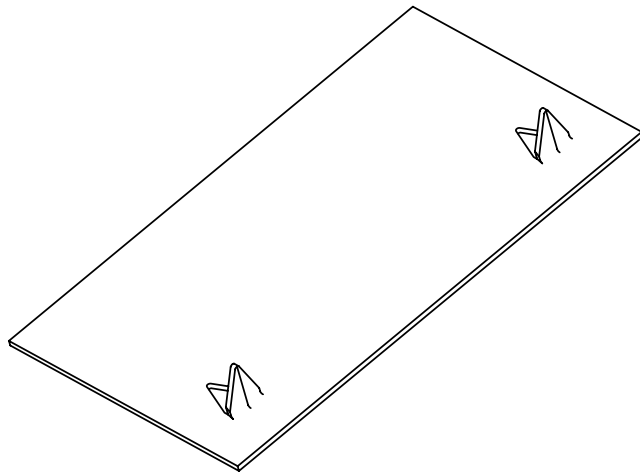
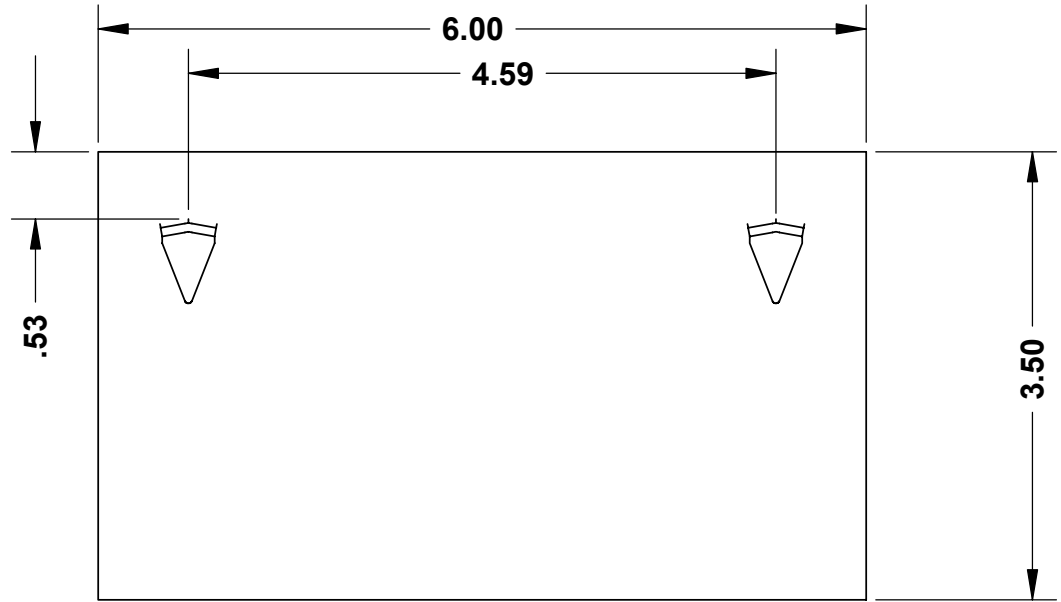
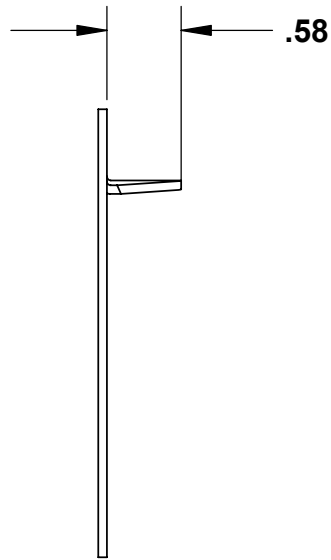


THE INFORMATION CONTAINED IN THIS DRAWING IS THE SOLE PROPERTY OF GREENFIELD MFG ANY REPRODUCTION IN PART OR WHOLE WITHOUT THE WRITTEN PERMISSION OF GREENFIELD MFG IS PROHIBITED



made in USA

UNLESS OTHERWISE SPECIFIED
 DIMENSIONS ARE IN INCHES
 TOLERANCES ARE :
 FRACTIONS DECIMALS ANGLES
 + .XX+ .XX +1
 XXX+.XXX

CAD GENERATED DWG.
 DO NOT MANUALLY UPDATE

GREENFIELD MFG CO
 9800 Bustleton Ave
 Philadelphia, PA 19115

APPROVALS	DATE
DRAWN MG	
CHECKED SB	
12/12	

P/N **3.5 X 6 BOCA PLATE**

MATERIAL	STEEL -16 GAGE
FINISH	NONE

A **FIG 936** REV.

DO NOT SCALE DRAWING

CAD FILE FIG936 BOCA SHEET 1 OF 1