



**Iron Plains® Round**  
 Vessel bathroom sink  
**K-20211-P5**

**Features**

- Small round basin.
- Overflow drain.

**Material**

- KOHLER® enameled cast iron.
- Painted underside in Iron Black.

**Installation**

- No faucet holes; requires wall- or counter-mount faucet.
- Vessel, drop-in, or under-mount.

**Recommended Products/Accessories**

- K-23726 Drain treatment
- K-23725 Cast iron cleaner



**ADA** **CSA B651** **OBC**

**Codes/Standards**






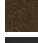

- ASME A112.19.1/CSA B45.2
- ADA
- ICC/ANSI A117.1
- CSA B651
- OBC

**Lifetime Limited Warranty for KOHLER® Cast Iron Components**

See website for detailed warranty information.

**Available Colors/Finishes**

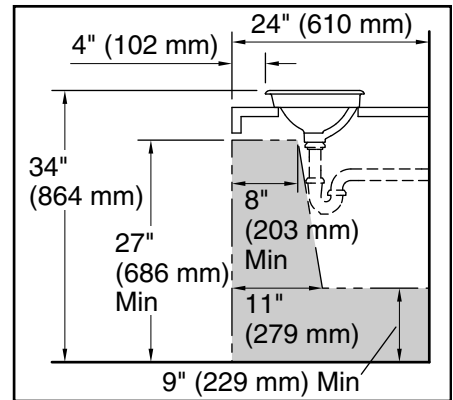
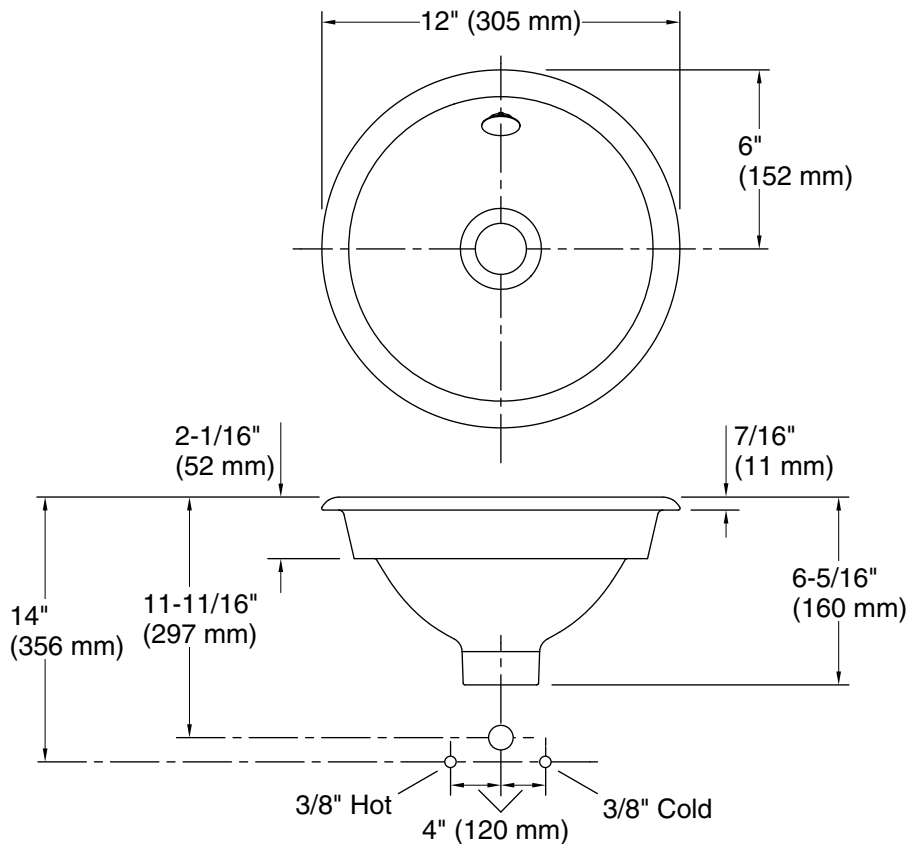
*Color tiles intended for reference only.*

Color	Code	Description
	0	White
	FF	Sea Salt™
	96	Biscuit
	NY	Dune
	FT	Basalt
	KA	Black 'n Tan
	7	Black Black™

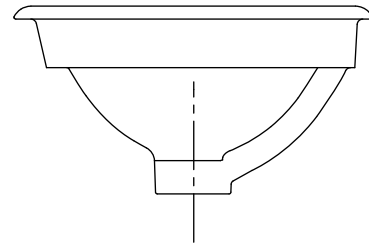


# Iron Plains® Round

Vessel bathroom sink  
**K-20211-P5**



Recommended ADA Installation



## Technical Information

All product dimensions are nominal.

- Installation: Drop-in, Under-mount, Vessel  
Drain hole: 1-3/4" (44 mm)  
Template: 1319047-7, required, included

## Notes

Install this product according to the installation instructions.

**NOTICE:** Countertop manufacturer or cutter must use the cut-out template provided with the product, or a current one provided by Kohler Co. (call 1-800-4-KOHLER). Kohler Co. is not responsible for cutout errors when the incorrect cut-out template is used.

ADA, OBC, CSA B651 compliant when installed to the specific requirements of these regulations.