

INSTALLATION MANUAL FOR

BASE-RAY® CAST IRON BASEBOARD RADIATION

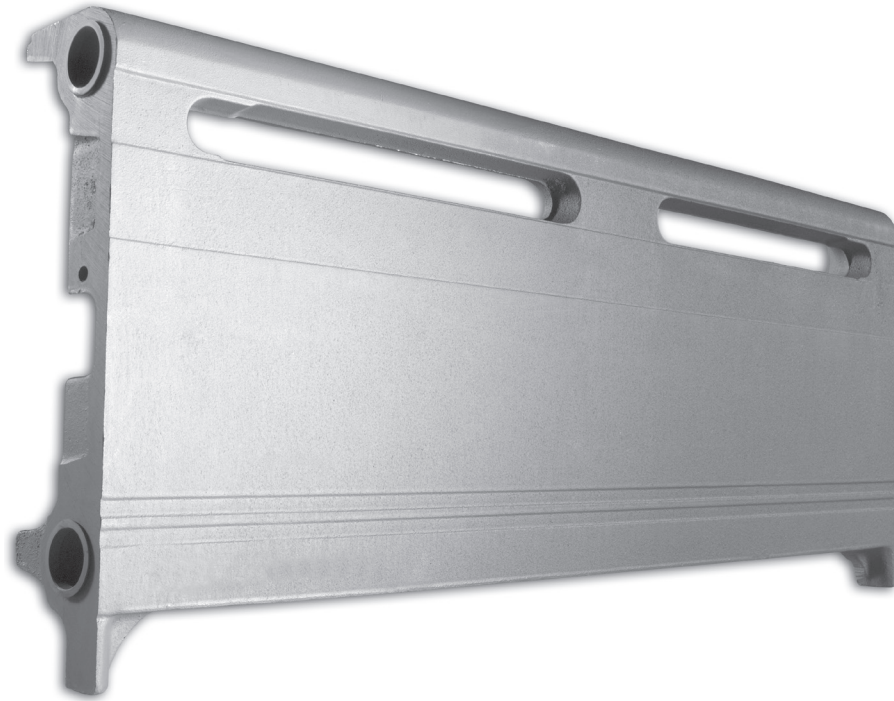


TABLE OF CONTENTS

PAGE	
2	RATINGS
4	ASSEMBLY CHART
5	SYSTEM TYPES
6	SERIES LOOP SYSTEMS
7	SERIES LOOP DESIGN
8	INSTALLATION DETAILS
9	INSTALLATION INSTRUCTIONS
10	ASSEMBLY INSTRUCTIONS
14	SPECIAL APPLICATIONS
16	WARRANTY

Heating Contractor

Installation Date

Address

Phone Number



For Ratings at the following temperatures, multiply the 150° rating by the multiplier of the desired temperature.

Temperature – Multiplier			
150° - 1.0	130° - .68	110° - .42	90° - .22
140° - .82	120° - .54	100° - .32	

No. 9A Base-Ray® Ratings – Steam and Hot Water (500 LBS/HR Flow Rate **)

Length in Lineal Feet*	Steam Rating Square Feet	Steam Ratings BTU Per Hr. At 215°F	HOT WATER RATINGS IN BTU PER HOUR AT 500 LBS./HR. (ONE GPM) FLOW RATE** AT AVERAGE WATER TEMPERATURE OF								Pressure Drop in Inches of Water***
			230°F	220°F	210°F	200°F	190°F	180°F	170°F	150°F	
Per Lin. Ft.	3.40	820	890	830	770	710	650	590	520	390	
1.5	5.1	1,230	1,340	1,250	1,160	1,070	980	890	780	585	.10
2.0	6.8	1,640	1,780	1,660	1,540	1,420	1,300	1,180	1,040	780	.10
2.5	8.5	2,050	2,230	2,080	1,930	1,780	1,630	1,480	1,300	975	.11
3.0	10.2	2,460	2,670	2,490	2,310	2,130	1,950	1,770	1,560	1,170	.12
3.5	11.9	2,870	3,120	2,910	2,700	2,490	2,280	2,070	1,820	1,365	.13
4.0	13.6	3,280	3,560	3,320	3,080	2,840	2,600	2,360	2,080	1,560	.14
4.5	15.3	3,690	4,010	3,740	3,470	3,200	2,930	2,660	2,340	1,755	.14
5.0	17.0	4,100	4,450	4,150	3,850	3,550	3,250	2,950	2,600	1,950	.15
5.5	18.7	4,510	4,900	4,570	4,240	3,910	3,580	3,250	2,860	2,145	.16
6.0	20.4	4,920	5,340	4,980	4,620	4,260	3,900	3,540	3,120	2,340	.17
6.5	22.1	5,330	5,790	5,400	5,010	4,620	4,230	3,840	3,380	2,535	.18
7.0	23.8	5,740	6,230	5,810	5,390	4,970	4,550	4,130	3,640	2,730	.18
7.5	25.5	6,150	6,680	6,230	5,780	5,330	4,880	4,430	3,900	2,925	.19
8.0	27.2	6,560	7,120	6,640	6,160	5,680	5,200	4,720	4,160	3,120	.20
8.5	28.9	6,970	7,570	7,060	6,550	6,040	5,530	5,020	4,420	3,315	.21
9.0	30.6	7,380	8,010	7,470	6,930	6,390	5,850	5,310	4,680	3,510	.22
9.5	32.3	7,790	8,460	7,890	7,320	6,750	6,180	5,610	4,940	3,705	.22
10.0	34.0	8,200	8,900	8,300	7,700	7,100	6,500	5,900	5,200	3,900	.23
10.5	35.7	8,610	9,350	8,715	8,090	7,460	6,830	6,200	5,460	4,095	.24
11.0	37.4	9,020	9,790	9,130	8,470	7,810	7,150	6,490	5,720	4,290	.25
11.5	39.1	9,430	10,240	9,550	8,860	8,170	7,480	6,790	5,980	4,485	.26
12.0	40.8	9,840	10,680	9,960	9,240	8,520	7,800	7,080	6,240	4,680	.26
12.5	42.5	10,250	11,130	10,380	9,630	8,880	8,130	7,380	6,500	4,785	.27
13.0	44.2	10,660	11,570	10,790	10,010	9,230	8,450	7,670	6,760	5,070	.28
13.5	45.9	11,070	12,020	11,210	10,400	9,590	8,780	7,970	7,020	5,265	.29
14.0	47.6	11,480	12,460	11,620	10,780	9,940	9,100	8,260	7,280	5,460	.30
14.5	49.3	11,890	12,910	12,040	11,170	10,300	9,430	8,550	7,540	5,655	.30
15.0	51.0	12,300	13,350	12,450	11,550	10,650	9,750	8,850	7,800	5,850	.31
15.5	52.7	12,710	13,800	12,870	11,940	11,010	10,080	9,150	8,060	6,045	.32
16.0	54.4	13,120	14,240	13,280	12,320	11,360	10,400	9,440	8,320	6,240	.33
16.5	56.1	13,530	14,690	13,700	12,710	11,720	10,730	9,470	8,580	6,435	.34
17.0	57.8	13,940	15,130	14,110	13,090	12,070	11,050	10,030	8,840	6,630	.34
17.5	59.5	14,350	15,580	14,530	13,480	12,430	11,380	10,330	9,100	6,825	.35
18.0	61.2	14,760	16,020	14,940	13,860	12,780	11,700	10,620	9,360	7,020	.36
18.5	62.9	15,170	16,470	15,360	14,250	13,140	12,030	10,920	9,620	7,215	.37
19.0	64.6	15,580	16,910	15,770	14,630	13,490	12,350	11,210	9,880	7,410	.38
19.5	66.3	15,990	17,360	16,190	15,020	13,850	12,680	11,510	10,140	7,605	.38
20.0	68.0	16,400	17,800	16,600	15,400	14,200	13,000	11,800	10,400	7,800	.39
20.5	69.7	16,810	18,250	17,020	15,790	14,560	13,330	12,100	10,660	7,995	.40
21.0	71.4	17,220	18,690	17,430	16,170	14,910	13,650	12,390	10,920	8,190	.41
21.5	73.1	17,630	19,140	17,850	16,560	15,270	13,980	12,690	11,180	8,385	.42
22.0	74.8	18,040	19,580	18,260	16,940	15,620	14,300	12,980	11,440	8,580	.42

Ratings based on active length. Active length same as total length.

**The Hot Water Ratings at 500 lb. Flow Rate are based on a standard water flow rate of 500 lbs. per hour (one gallon per minute) through the Base-Ray. These ratings should be used for all installations except as noted under 2000 Lb. Flow Rate.

*Add 1/2" to length for each bushing. Add 5" to length for each valve enclosure.

***Based on 3/4" pipe connections.

For Ratings at the following temperatures, multiply the 150° rating by the multiplier of the desired temperature.

Temperature – Multiplier			
150° - 1.0	130° - .68	110° - .42	90° - .22
140° - .82	120° - .54	100° - .32	

No. 9A Base-Ray® Ratings – Steam and Hot Water (2000 LBS/HR Flow Rate **)

Length in Lineal Feet*	Steam Rating Square Feet	Steam Ratings BTU Per Hr. At 215°F	HOT WATER RATINGS IN BTU PER HOUR AT 500 LBS./HR. (ONE GPM) FLOW RATE** AT AVERAGE WATER TEMPERATURE OF								Pressure Drop in Inches of Water***
			230°F	220°F	210°F	200°F	190°F	180°F	170°F	150°F	
Per Lin. Ft.	3.40	820	940	880	810	750	690	620	550	410	
1.5	5.1	1,230	1,410	1,320	1,220	1,130	1,040	930	830	615	1.29
2.0	6.8	1,640	1,880	1,760	1,620	1,500	1,380	1,240	1,100	820	1.39
2.5	8.5	2,050	2,350	2,200	2,030	1,880	1,730	1,550	1,380	1,025	1.50
3.0	10.2	2,460	2,820	2,640	2,430	2,250	2,070	1,860	1,650	1,230	1.61
3.5	11.9	2,870	3,290	3,080	2,840	2,630	2,420	2,170	1,930	1,435	1.71
4.0	13.6	3,280	3,760	3,520	3,240	3,000	2,760	2,480	2,200	1,640	1.82
4.5	15.3	3,690	4,230	3,960	3,650	3,380	3,110	2,790	2,480	1,845	1.93
5.0	17.0	4,100	4,700	4,400	4,050	3,750	3,450	3,100	2,750	2,050	2.03
5.5	18.7	4,510	5,170	4,840	4,460	4,130	3,800	3,410	3,030	2,255	2.14
6.0	20.4	4,920	5,640	5,280	4,860	4,500	4,140	3,720	3,300	2,460	2.25
6.5	22.1	5,330	6,110	5,720	5,270	4,880	4,490	4,030	3,580	2,665	2.35
7.0	23.8	5,740	6,580	6,160	5,670	5,250	4,830	4,340	3,850	2,870	2.46
7.5	25.5	6,150	7,050	6,600	6,080	5,630	5,180	4,650	4,130	3,075	2.57
8.0	27.2	6,560	7,520	7,040	6,480	6,000	5,520	4,960	4,400	3,280	2.68
8.5	28.9	6,970	7,990	7,480	6,890	6,380	5,870	5,270	4,680	3,485	2.78
9.0	30.6	7,380	8,460	7,920	7,290	6,750	6,210	5,580	4,950	3,690	2.89
9.5	32.3	7,790	8,930	8,360	7,700	7,130	6,560	5,890	5,230	3,895	3.00
10.0	34.0	8,200	9,400	8,800	8,100	7,500	6,900	6,200	5,500	4,100	3.10
10.5	35.7	8,610	9,870	9,240	8,510	7,880	7,250	6,510	5,780	4,305	3.21
11.0	37.4	9,020	10,340	9,680	8,910	8,250	7,590	6,820	6,050	4,510	3.32
11.5	39.1	9,430	10,810	10,120	9,320	8,630	7,940	7,130	6,330	4,715	3.42
12.0	40.8	9,840	11,280	10,560	9,720	9,000	8,280	7,440	6,600	4,920	3.53
12.5	42.5	10,250	11,750	11,000	10,130	9,380	8,630	7,750	6,880	5,125	3.64
13.0	44.2	10,660	12,220	11,440	10,530	9,750	8,970	8,060	7,150	5,330	3.74
13.5	45.9	11,070	12,690	11,880	10,940	10,130	9,320	8,370	7,430	5,535	3.85
14.0	47.6	11,480	13,160	12,320	11,340	10,500	9,660	8,680	7,700	5,740	3.96
14.5	49.3	11,890	13,630	12,760	11,750	10,880	10,010	8,990	7,960	5,945	4.06
15.0	51.0	12,300	14,100	13,200	12,150	11,250	10,350	9,300	8,250	6,150	4.17
15.5	52.7	12,710	14,570	13,640	12,560	11,630	10,700	9,610	8,530	6,355	4.28
16.0	54.4	13,120	15,040	14,080	12,960	12,000	11,040	9,920	8,800	6,560	4.38
16.5	56.1	13,530	15,510	14,520	13,370	12,380	11,390	10,230	9,080	6,765	4.49
17.0	57.8	13,940	15,980	14,960	13,770	12,750	11,730	10,540	9,350	6,970	4.60
17.5	59.5	14,350	16,450	15,400	14,180	13,130	12,080	10,850	9,630	7,175	4.70
18.0	61.2	14,760	16,920	15,840	14,580	13,500	12,420	11,160	9,900	7,380	4.81
18.5	62.9	15,170	17,390	16,280	14,990	13,880	12,770	11,470	10,180	7,585	4.92
19.0	64.6	15,580	17,860	16,720	15,390	14,250	13,110	11,780	10,450	7,790	5.03
19.5	66.3	15,990	18,330	17,160	15,800	14,630	13,460	12,090	10,730	7,995	5.13
20.0	68.0	16,400	18,800	17,600	16,200	15,000	13,800	12,400	11,000	8,200	5.24
20.5	69.7	16,810	19,270	18,040	16,610	15,380	14,150	12,710	11,280	8,405	5.35
21.0	71.4	17,220	19,740	18,480	17,010	15,750	14,490	13,020	11,550	8,610	5.45
21.5	73.1	17,630	20,210	18,920	17,420	16,130	14,840	13,330	11,830	8,815	5.56
22.0	74.8	18,040	20,680	19,360	17,820	16,500	15,180	13,640	12,100	9,020	5.67

Ratings based on active length. Active length same as total length.

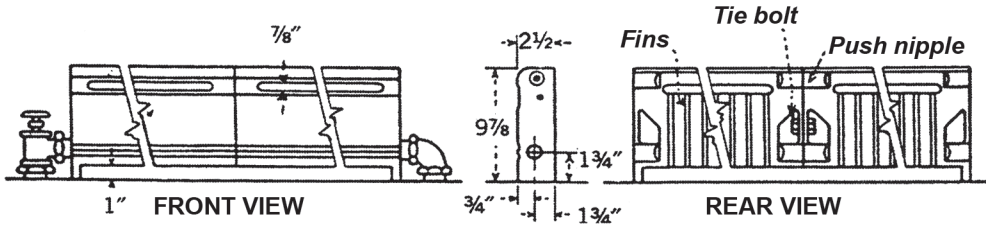
9A Base-Ray Water Content - 2.5 lbs. or .3 gal. per linear ft.

**The Hot Water Ratings at 2000 lb. Flow Rate are limited to installations where the water flow rate through the Base-Ray is greater than 2000 lbs. per hour (four gallons per minute). Where the water flow rate through the Base-Ray is not know, the rating at the standard flow rate of 500 lbs. per hour mst be used.

*Add ½" to length for each bushing. Add 5" to length for each valve enclosure.

***Based on ¾" pipe connections.

Dimensions and Specifications



BASE-RAY TAPPINGS- Tapped 3/4" top and bottom of end sections. A 3/4" x 1/8" vent bushing is furnished with each Base-Ray Assembly. Only one air vent location need be used.

Use of PTFE (Teflon®) tape or paste containing PTFE is not recommended as overtightening is possible, causing cracking of the Base Ray tappings.

Copper tubing is not recommended for steam applications due to high heat loss through the tubing and thermal expansion noise.

Maximum recommended length for steam applications is 10 lineal feet.

Base-Ray® Assembly Chart

BASE-RAY Assemblies up to and including 6 lineal ft. are shipped in one piece.

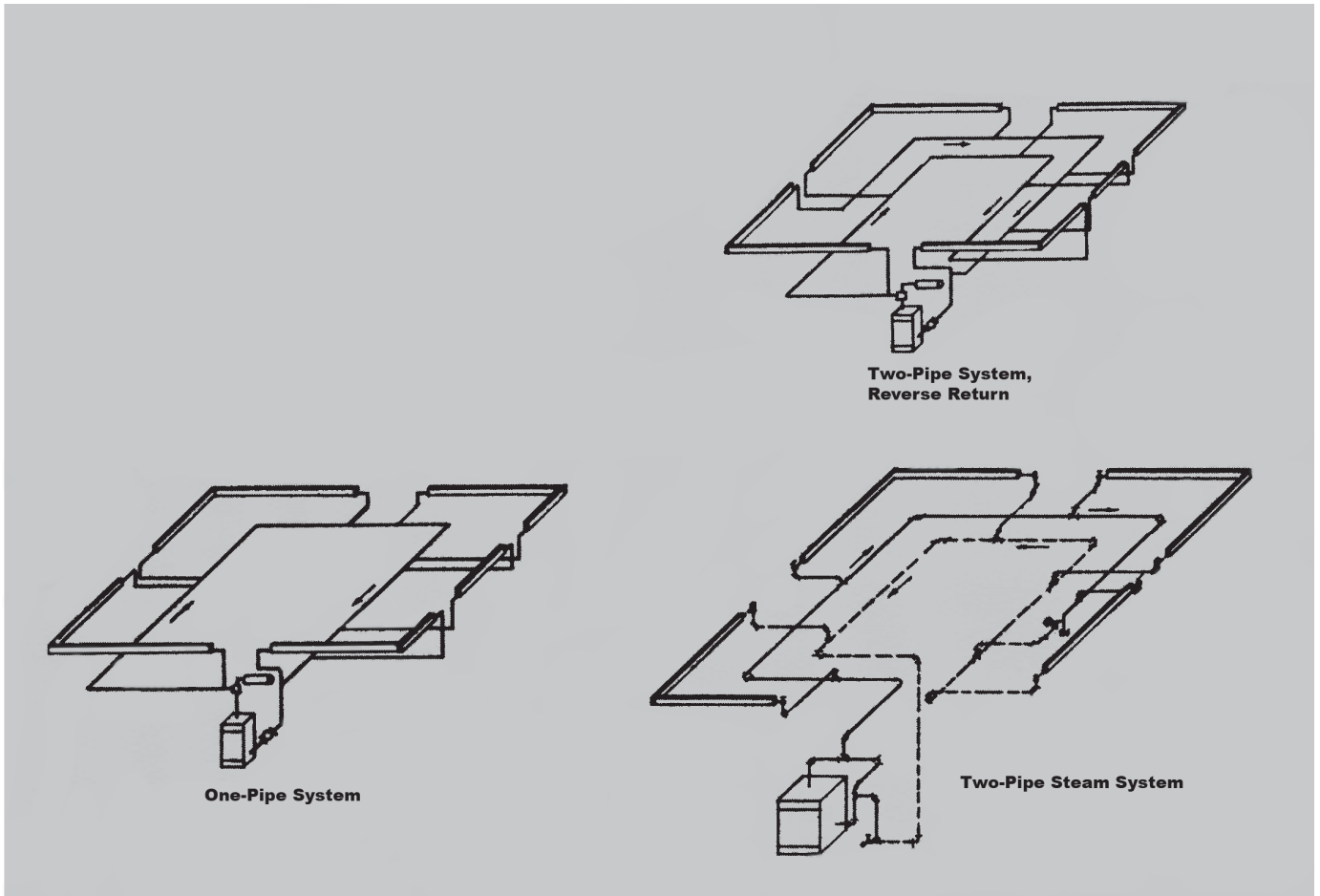
Longer Assemblies are shipped in two or more pieces or sub-assemblies, none of which exceeds 6 lineal ft.

ASSEMBLIES AND SUB-ASSEMBLIES ARE MADE UP OF FOLLOWING SECTIONS

Assemblies	18" Left End	24" Left End	24" Int.	24" Right End	12" Right End	18" Panel	24" Panel
1 1/2 Ft.	---	---	---	---	---	1	---
2 Ft.	---	---	---	---	---	---	1
2 1/2 Ft.	1	---	---	---	1	---	---
3 Ft.	---	1	---	---	1	---	---
3 1/2 Ft.	1	---	---	1	---	---	---
4 Ft.	---	1	---	1	---	---	---
4 1/2 Ft.	1	---	1	---	1	---	---
5 Ft.	---	1	1	---	1	---	---
5 1/2 Ft.	1	---	1	1	---	---	---
6 Ft.	---	1	1	1	---	---	---
Sub-Assemblies							
5 1/2 Ft. L.H.	1	---	2	---	---	---	---
6 Ft. L.H.	---	1	2	---	---	---	---
6 Ft. Center	---	---	3	---	---	---	---
All R.H.	---	---	Req'd No.	1 or 1	---	---	---

Sub-Assembly Chart

Assembly Length (Ft.)	L.H. (Ft.)	Center (Ft.)	R.H. (Ft.)
6 1/2	5 1/2	---	1
7	6	---	1
7 1/2	5 1/2	---	2
8	6	---	2
8 1/2	5 1/2	---	3
9	6	---	3
9 1/2	5 1/2	---	4
10	6	---	4
10 1/2	5 1/2	---	5
11	6	---	5
11 1/2	5 1/2	---	6
12	6	---	6
12 1/2	5 1/2	6	1
13	6	6	1
13 1/2	5 1/2	6	2
14	6	6	2
14 1/2	5 1/2	6	3
15	6	6	3
15 1/2	5 1/2	6	4
16	6	6	4
16 1/2	5 1/2	6	5
17	6	6	5
17 1/2	5 1/2	6	6
18	6	6	6
18 1/2	5 1/2	2-6	1
19	6	2-6	1
19 1/2	5 1/2	2-6	2
20	6	2-6	2
20 1/2	5 1/2	2-6	3
21	6	2-6	3
21 1/2	5 1/2	2-6	4
22	6	2-6	4
22 1/2	5 1/2	2-6	5
23	6	2-6	5
23 1/2	5 1/2	2-6	6
24	6	2-6	6



BASE-RAY® HYDRONICS

Types of Systems

Hydronic Heating Systems are classified according to the piping arrangement and heating medium employed. BASE-RAY is very versatile in that it may be used in almost all types of systems as noted below:

1. Series Loop Forced Circulation Hot Water
2. One-Pipe Forced Circulation Hot Water
3. Two-Pipe Reverse Return Gravity or Forced Circulation Hot Water
4. Two-Pipe Steam or Vapor.

It is not recommended that BASE-RAY be used in a One-Pipe Steam System.

System Description

1. **Series Loop** is a forced circulation hot water heating system with the BASE-RAY Assemblies connected so that all the water flowing through a circuit passes through each series-connected Assembly in the circuit. Thus, the Assemblies serve as portions of the main.
2. **One-Pipe** is a forced circulation hot water heating system utilizing one continuous main from boiler supply to boiler return. BASE-RAY Assemblies are connected to this pipe

or main by two smaller pipes known as branches. When connecting these branches to the main, one of the standard tees is replaced by a special tee frequently called a one-pipe fitting. These one-pipe fittings cause a portion of the water flowing through the main to pass through the BASE-RAY Assemblies and back to the main again.

3. **Two-Pipe Reverse Return** is a gravity or forced circulation hot water heating system utilizing one main to carry heated water from the boiler to the BASE-RAY Assemblies and a second main to carry the cooled water from the Assemblies back to the boiler. The Assemblies are connected to the return main in the reverse order from that in which they are connected to the supply main. Very few designers use this type of system for residential applications, since there is no difference between the heating qualities of this system and the other two hot water systems.
4. **Two-Pipe Steam or Vapor Systems** are steam systems in which each BASE-RAY Assembly is provided with two piping connections, and where steam and condensate flow in separate mains and branches. The Vapor system differs from the low pressure system only in the type of air valve used.

SERIES LOOP SYSTEMS

Installation Data

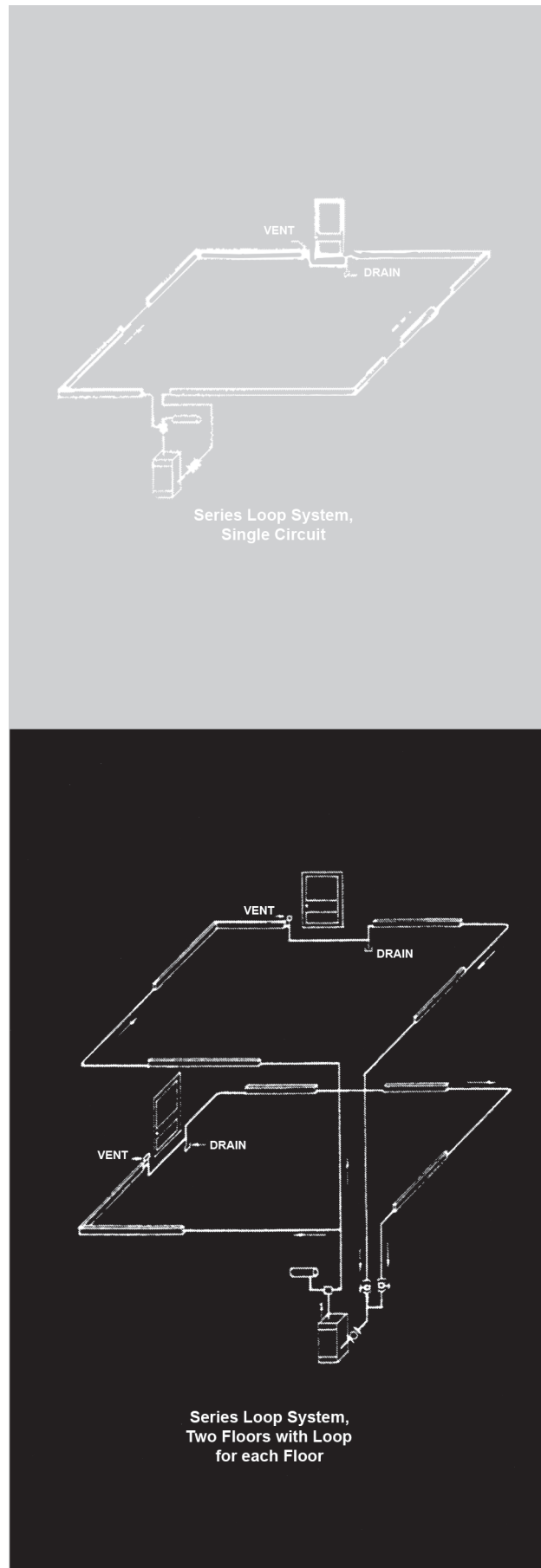
This type of installation, in which the BASE-RAY® Assemblies serve as part of the main, is the most economical way BASE-RAY can be installed. Substantial savings in labor and material are realized in that one-pipe fittings, shut-off valves, balancing cocks and additional piping are eliminated. Quality is not sacrificed as tests have proven the ability of a Series Loop System to produce comfort conditions equal to those produced by other hydronic heating systems. Series Loop Systems are ideal for homes without basements, especially those built on concrete slabs, as it eliminates the necessity for running the mains in the attic or in the concrete slab. With proper design, the Series Loop System can be used to advantage in apartment construction.

As indicated in the adjacent piping diagrams, the supply runs from the boiler to the first BASE-RAY Assembly in the circuit and then from Assembly to Assembly, dropping below the floor only when necessary to avoid obstructions such as doors, fireplaces, etc. BASE-RAY Baseboard Extensions are used to conceal the piping run above the floor.

It is sound practice to run a loop around an ordinary 5 or 6 room house. In the case of very small two-story homes, the loop may take in both first floor and second floor rooms. Larger ranch style, two-story and split level homes may use two separate loops running from the same supply line and coming back into the common return line. An example of this is shown (lower right) where the rooms on each floor are on a separate loop. In some two-story homes it might be desirable to put part of each floor on one loop and the other portions of each floor on a second loop. Do not include three stories on one loop. In multiple loop systems, a valve should be placed at the return end of each loop for balancing.

EXPANSION – BASE-RAY Assemblies and connecting piping will vary in length with water temperature changes in the system. To prevent distortion or noise as this expansion takes place, adequate measures must be provided in the system design and by the installer. Proper location of breaks in a run when the piping must drop through the floor to clear obstructions such as doors and fireplaces, expansion fittings, use of flexible tubing at the end of a run, offsetting the vertical risers in adequate size holes (1¼" holes for ¾" copper tubing, 1¼" x 1½" elongated holes for ¾" steel pipe) – all provide for expansion and make for a quality installation. In systems where high boiler water temperature must be maintained for domestic hot water, length of BASE-RAY Assemblies between two inside adjacent corners (when BASE-RAY is on three walls) should not exceed 25-feet, unless there is an expansion break between or swing joint provided at end. See SPECIAL APPLICATIONS, page 14. It is also desirable on these types of systems to provide a by-pass and mixing valve between boiler supply and return so that in mild weather, temperature changes in the system will be gradual instead of rapid.

BALANCING SYSTEM – System should be balanced on days when average winter temperatures prevail outdoors.



To Design Series-Loop Base-Ray® Installation –

1. Calculate the Heat Loss of each room using the procedure outlined in the I=B=R Heat Loss Calculation Guide No. H-21 or the ASHRAE Guide.
2. Using 210°F as design water temperature and 500 lbs/hr. as flow rate, select length of BASE-RAY Assembly for each room to produce desired output. (Design water temperature other than 210°F may be used but should not exceed 230°F.) If system designed on 20°F drop, this 210°F average water temperature means roughly, that under maximum load conditions, the water leaves the boiler at 220°F and returns at 200°F and returns at 200°F. Since maximum load conditions occur only at rare intervals, the system usually operates at considerably lower water temperatures.
3. Locate BASE-RAY Assemblies on Floor Plan drawn to scale.
4. Layout Piping on Floor Plan as illustrated. Since the temperature of the water decreases progressively from the first Heating Unit to the Last Heating Unit on a circuit, the system should be laid out, if possible, so that the Heating Units with the hotter water are in areas such as the living room, bath and dining room. Heating Units in bedrooms, kitchen and similar areas should be located on the end of the loop.
5. Measure length of Circuit (horizontal and vertical) from boiler supply to boiler return (include BASE-RAY lengths). In Series Loop Systems, on rare instances a BASE-RAY Assembly, Radiant Radiator or Slenderized Radiator is connected to the main with branches. Since a one-pipe fitting is used, add 12 additional feet to the measured length to obtain total length of Circuit.
6. Knowing the load-length of the loop from Steps 2 and 5 above, Table A will indicate whether or not a standard ¾" or 1" circulator is adequate.

If, for a given output, the total length of the loop exceeds the values shown in Table A, the loop may be split into two circuits – see Illustration. Check load-length of each circuit.

Determine from Table B if 1" trunk is adequate.

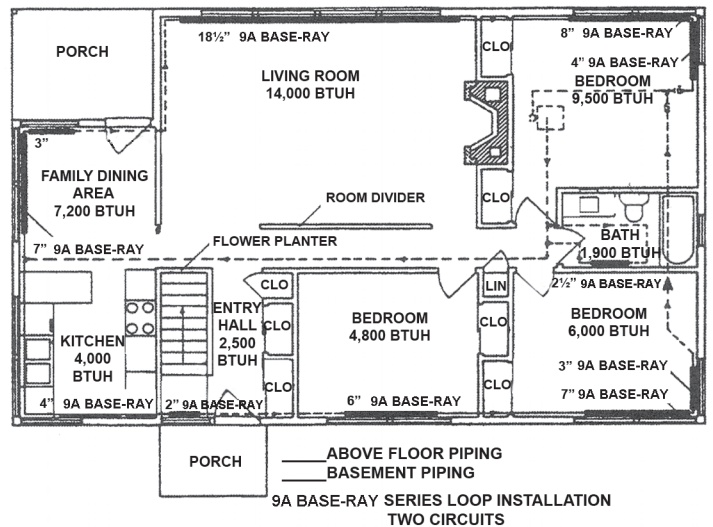
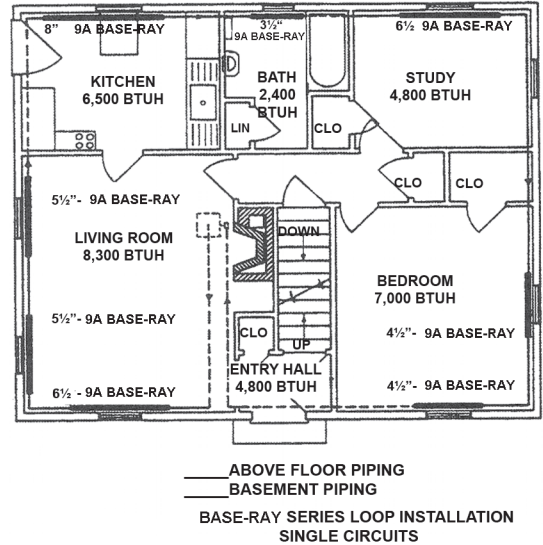


TABLE A		TABLE B	
Btu/Hr. Output of BASE-RAY Assemblies Each Loop	Total Length of Loop Ft.	Btu/Hr. Output of BASE-RAY Assemblies All Loops	Length of Longest Loop -Ft.
40,000	100	50,000	240
35,000	135	55,000	210
30,000	175	60,000	165
25,000	260	65,000	140
		70,000	120

NOTE: Table based on 20°F Drop through Circuit - ¾" piping

NOTE: Table based on head developed by Standard ¾" or 1" circulator - 20°F Drop through system.

For Piping Arrangements and Design conditions other than those given above, follow procedure outlined in Residential Hydronic Heating Installation and Design I=B=R Guide.

Installation Details

A BASE-RAY® heating system is extremely easy to install – no other heating system requires less labor. The same installation practices that are used in an ordinary radiator system are followed. Use conventional methods in selecting boiler and pipe sizes, including mains, risers and branches. Supply and return connections to BASE-RAY are made in the same way as with conventional radiators.

Residential Hydronic Heating Installation and Design I=B=R Guide shows installation details for both the conventional piping system and the Series Loop System.

LOCATION OF BASE-RAY

BASE-RAY should be placed along exposed walls in place of the regular wood baseboard. If the outside walls do not provide sufficient space, place additional assemblies on inside wall.

RECESSED

BASE-RAY may be recessed the depth of the lath and plaster, and will extend into the room approximately one and a quarter inches.

EXPANSION

BASE-RAY will expand about 1/8" in 10 lineal feet with a temperature rise of 180°F. To provide for this, holes cut through the floors should be larger than the pipe, and swing connections should be located in branches between the Main and Risers.

VENTING

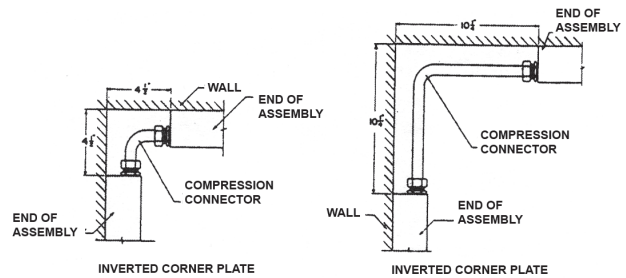
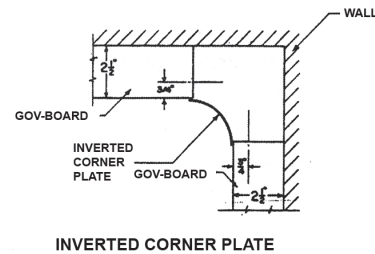
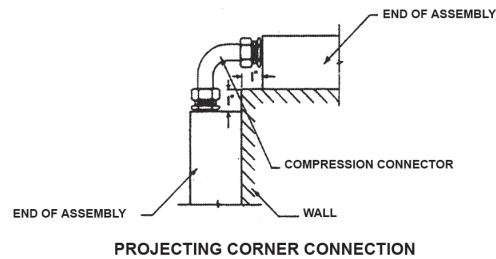
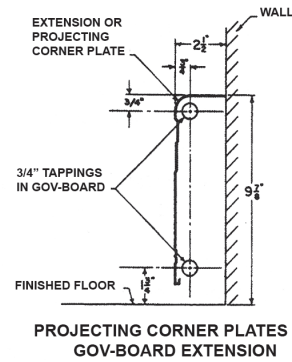
When two or more BASE-RAY assemblies are connected in series on a hot water job it is necessary to vent each assembly, unless the assemblies are connected at the top tapping. When connected in series on a two-pipe steam job, the assemblies should be connected at the bottom, and only one steam air vent need be used.

MAXIMUM DIMENSIONS OF FITTINGS

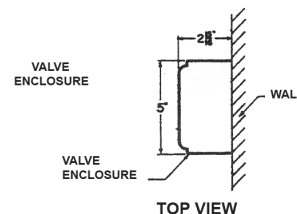
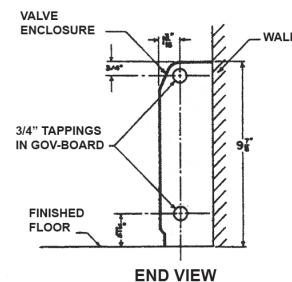
Inasmuch as the BASEBOARD EXTENSION PANELS and PROJECTING CORNER PLATES are installed flush with the face of BASE-RAY, there are a few types of fittings that cannot be used in back of these parts because of the space limitations. As shown in the adjacent diagram, the diameter of the fittings cannot exceed 1½" – radiator union elbows and regular pipe unions usually measure more, ¾" copper sweat or screw fittings usually measure less. When iron pipe and fittings are used, straight connections may be made with ¾" right and left coupling and corner connections with ¾" street elbow. Because of these space limitations, U.S. Boiler Company has available a No. 90-S Compression Connector for use with the Projecting Corner Plate (see illustration).

Because of the radius on the face of INVERTED CORNER PLATE, fittings having a diameter greater than 1½" may be used (see illustration). For easy and quick connections at inside corners, however, we recommend the U.S. Boiler Company No. 90-S Compression Connector for use with the 4-5/8" Inverted Corner Plate. Both are illustrated.

VALVE ENCLOSURES have been designed to accommodate almost all makes of shut-off valves and steam traps. See Illustration for Enclosure dimensions.



PLAN VIEW OF INSIDE CORNER CONNECTIONS



INSTALLATION INSTRUCTIONS

1. Wall Preparation:

To prevent excessive heat loss through the walls in back of BASE-RAY®, it is recommended that the stud space behind the Assemblies be insulated to a height of at least 12" above the floor with 4" mineral wool batts (blanket or loose insulation may also be used) or other approved insulating materials. This is particularly essential if the BASE-RAY is recessed. Mark Stud locations.

2. Allowance for Finished Flooring to Wall-to-Wall Carpeting:

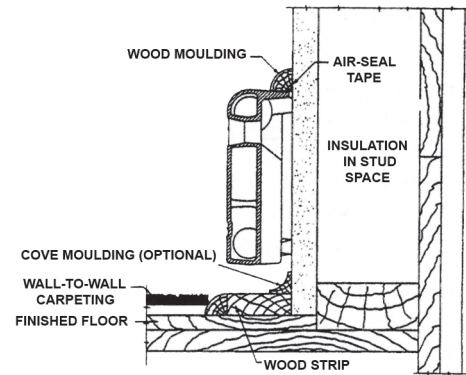
If BASE-RAY is to be installed prior to the finished floor, a wooden strip 2½" in width and equal in height to the finished floor should be installed along the base of all walls where baseboard assemblies and trim are to be placed. If allowance is not made for wall-to-wall carpeting, or for carpeting that is to be laid with edges flush to the room side surface of BASE-RAY, the air inlet of the BASE-RAY will be restricted, resulting in a reduction in output. To compensate for the wall-to-wall carpeting, baseboard assemblies and trim should be raised by laying under them a strip of wood 2½" wide and the same thickness as the carpet and pad.

3. Recessing of BASE-RAY Assemblies and Trim.

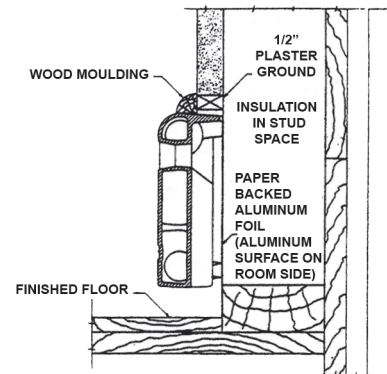
(If BASE-RAY to be installed free-standing, proceed to Step 4.)

BASE-RAY and Trim may be partially recessed or installed free standing against the finished wall surface. Although procedure for preparing recess may vary slightly with type of finished wall, in general, steps outlined below for lath and plaster construction may be followed:

- a. Nail ½" plaster ground to studs with the bottom of the plaster ground located 10" above finished floor.
- * Additional height must be allowed if recess prepared before finished floor is laid or if wall-to-wall carpeting is to be installed – see Step 2 of Installation Instructions.
- b. Line back of recess with paper-backed aluminum foil. This can be accomplished quickly and neatly by stapling foil to studs with staple gun. Foil surface should be on room side.

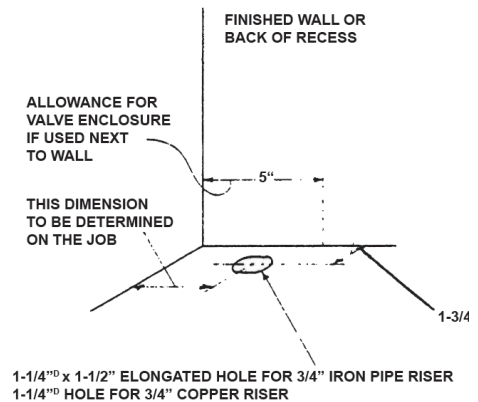


INSTALLATION
BASE-RAY WALL-TO-WALL CARPETING

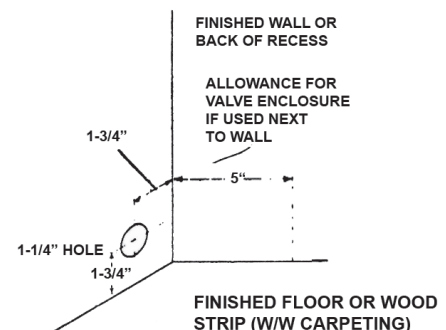


RECESSED BASE-RAY INSTALLATION

4. Locate Holes for Piping (see Illustrations):



PIPING THRU FLOOR



PIPING THRU WALL

5. Assembling BASE-RAY®

BASE-RAY is shipped assembled in lengths up to six (6) lineal feet – longer assemblies are shipped in two or more sub-assemblies for assembly on the job (see BASE-RAY Assembly chart, page 4). One man can join two sub-assemblies together in a matter of minutes providing he has a BASE-RAY Assembly Clamp (available at a nominal charge) and follows the recommended procedure.

In assembling BASE-RAY sub-assemblies on the job, the sections should be lined up, face down, on the floor or other flat surface near the wall on which they are to be installed. Ends of section, nipple ports and nipples should be thoroughly cleaned with kerosene or gasoline and wiped dry with a clean cloth.

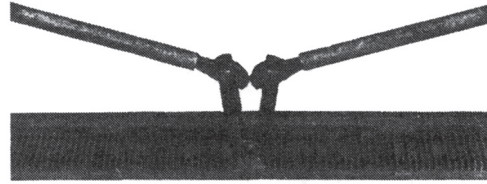
Place a thin coating of nipple lubricant on nipples and insert into the nipple ports of one assembly without cocking. Engage nipples in nipple ports of second assembly and push sections together by hand as far as possible keeping ends of sections parallel.

In order to secure necessary leverage with BASE-RAY Clamp, cut two pieces of 1/4" steel pipe 15" long and place them on the two cam handles.

Insert BASE-RAY Clamp nose in the recesses in the BASE-RAY castings, **being certain that the nose of the clamp is resting on the bottom of the recess – THIS IS IMPORTANT.** If the clamp nose will not reach the bottom of the recess, exert **light pressure** downward on the cam handles until the two castings are **PARTIALLY** drawn together. Release the pressure on the handles and the clamp nose will then drop to the bottom of the recess.

Press down on both cam handles simultaneously until castings are drawn together. **Be sure clamp is not tilted, since this may break casting.** If nipples do not draw up evenly during final tightening, strike end of assembly with wood block and hammer or mallet to bring the sections back in line. Do not strike BASE-RAY sections with metal hammer.

Remove the clamp, place the tie bolts in the bolt slots and tighten securely.



Sections being drawn together - ready for tie-bolt

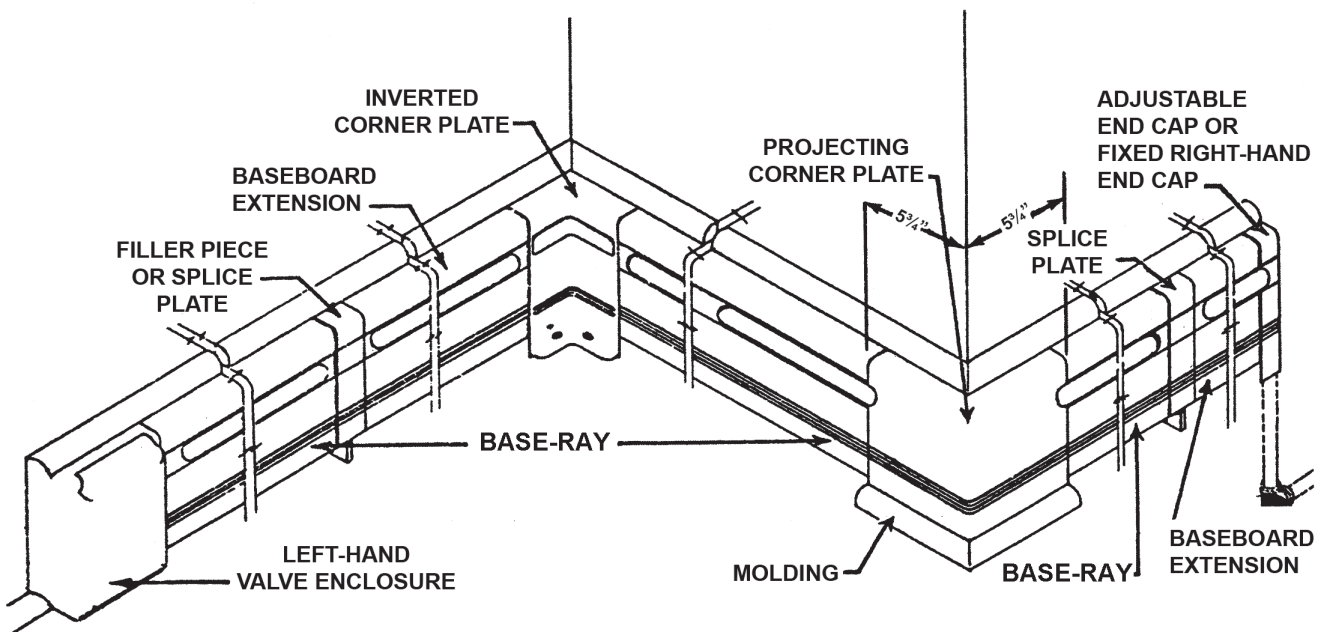
6. Installation of BASE-RAY® Assemblies

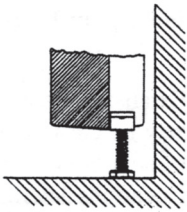
Install all fittings in end of sections and all necessary vents while assemblies are still laying flat on floor.

Install bottom center supports prior to raising assemblies to upright position. Refer to table for number of supports required. They should be spaced evenly.

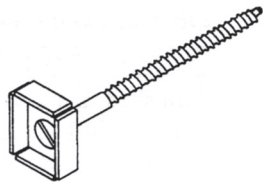
Length Assembly	Number of Top and Bottom Center Supports Required
1½ to 14½ Lineal Feet	1
15 to 21½ Lineal Feet	2
22 to 28½ Lineal Feet	3

Install the spring clip Bottom Center support by pushing it all the way up against the bottom of two fins and next to the waterway of the section as illustrated below. Run the 1/4" cap screw into the clip until head is not more than 3/4" from the clip.

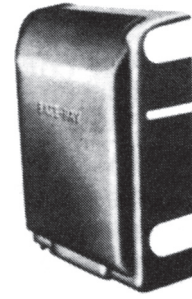




Spring Clip Bottom Center Support



Top Center Support



Stand Assemblies upright, place in position and fasten to the walls with Top Center Supports using the number shown in the table above. Insert Top Center Supports in Air Outlet opening of Sections opposite studs (stud locations determined in step 1). Use wood screw furnished with Top Center Support and screw into stud until tight, the longer dimension of the top center support is in a vertical position when installed. Back off fraction of a turn to permit movement caused by expansion and contractions of sections. Adjust Bottom Center Supports by turning Cap Screws down until they begin to contact floor. Do not extend the Cap Screws any further.

Connect assemblies to piping. Complete remainder of piping to boiler, fill system with water and check for leaks.

CARE MUST BE EXERCISED TO SEE THAT 30 PSIG GAUGE PRESSURE IS NOT EXCEEDED.

DO NOT PRESSURE TEST WITH AIR.

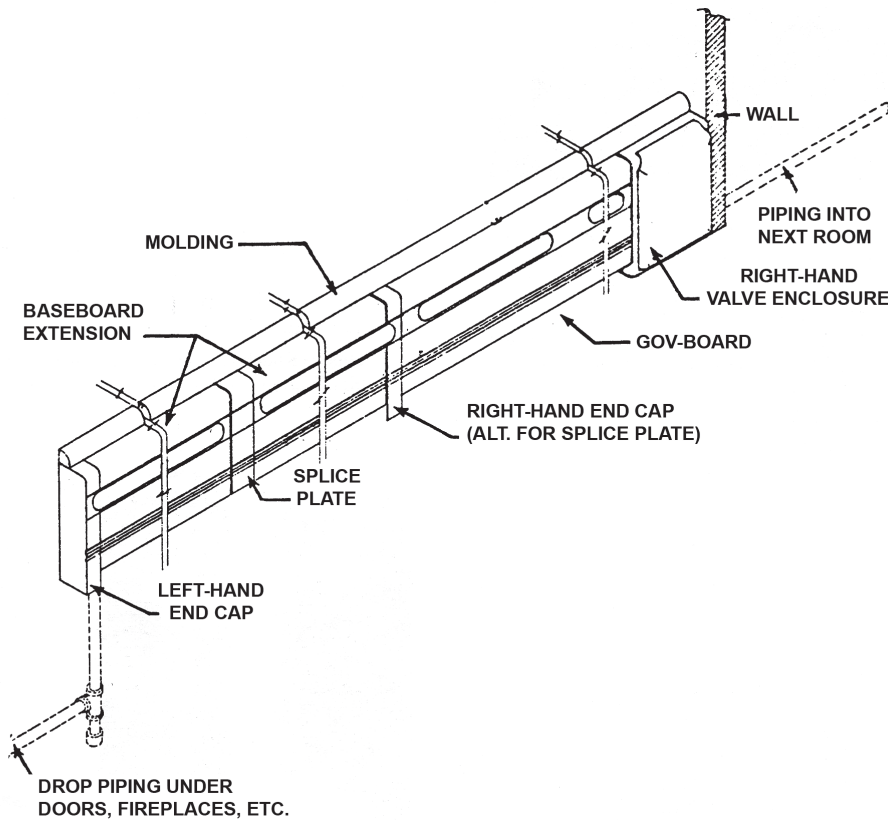
7. Installation of Valve enclosures (furnished in right-hand and left-hand patterns).

Remove knockout in end of Valve Enclosure if piping to run through Valve Enclosure.

Bend tab on Valve Enclosure so that hole is on inside of Valve Enclosure facing wall.

Place Valve Enclosure next to BASE-RAY® and fasten to BASE-RAY with 1/4" thumb screw furnished.

Insert screw furnished through tab on Valve Enclosure and fasten to wall. Set Valve Enclosure Cover in place.



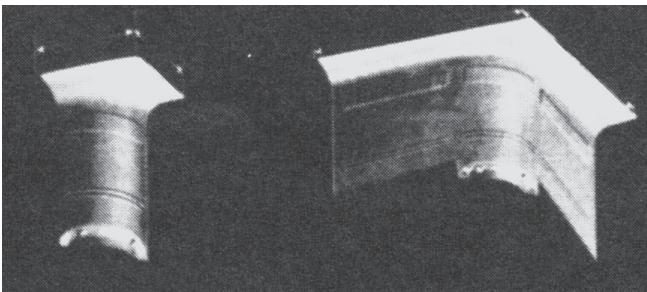
8. Installation of Corner Plates

INVERTED CORNER PLATES—for inside corners—furnished in two types, 4-5/8” standard plate is used when Assemblies on adjoining walls extend to within 4-3/8” of the corner. If this distance is greater than 4-3/8” but less than 10-3/8”, the 10-5/8” plate is used. Extended Plate may be cut to desired length with hacksaw.

Set Inverted Corner Plate in place overlapping the end of the adjoining BASE-RAY® Assemblies. Secure to floor with wood screws furnished.

If installation is on tile with wood sub-flooring, drill 1/2” holes in tile in line with holes in Corner Plate. Holes should not penetrate sub-flooring. Substitute screws of same size as furnished but longer and secure Corner Plate to sub-flooring.

If installation is on masonry floor, drill 1/2” holes approximately 1” deep in floor in line with holes in Corner Plate. Drive slightly oversized wood plugs into holes and secure Corner Plate to plugs with wood screws furnished.



PROJECTING CORNER PLATE – for concealing pipe and fittings at outside corners. See section on **MAXIMUM DIMENSION OF FITTINGS**, page 8. Assemblies on adjoining walls must extend to within 3” of corner.

Set Projecting Corner Plate in place overlapping the ends of the adjoining BASE-RAY Assemblies. Secure with moulding (not furnished) at top and bottom.

9. Installation of Baseboard Extension, Splice Plates, End Caps and Filler Pieces.

BASEBOARD EXTENSION – Extension panels are furnished in six foot lengths but may be cut to desired lengths with hacksaw. Extensions are supported by hangers which are attached to studs (stud locations determined in Step 1) with two No. 10 x 1-1/2” wood screws.

Screw hangers to studs so that there is a hanger located at the extreme ends of the Baseboard Extension and at two foot intervals along its length. If construction members are not suitably located, use Moly Screw anchors to secure Hangers to wall. Bottom of Hangers should rest on finished floor unless BASE-RAY has been raised for wall-to-wall carpeting (see page 9). If such is the case, Hangers must be raised an equal amount.

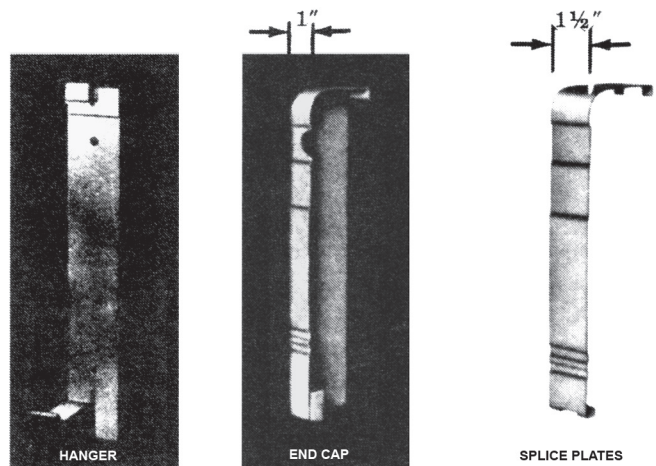
Install **END CAPS** on Extension (see succeeding paragraph), insert lip on top rear of Extension into slot at top of Hangers and snap channel on bottom of Extension under spacer arm on lower part of Hanger.

SPLICE PLATES – used to make neat covering for joint where two Extension Panels butt together or where Extension Panel terminates at BASE-RAY.

Plate hooks on bottom of Splice Plate over lip on bottom of Extension Panel and push top of Splice Plate toward wall until hooks on top of the Splice Plate snap into position behind the Extension or the BASE-RAY. When the Splice Plate is used to join an Extension Panel to BASE-RAY, bottom hook which overlaps BASE-RAY must be cut off.

END CAPS – available in both left-hand and right-hand patterns for finishing off ends of Baseboard Extensions that terminate at doorways or at Valve Enclosures. They can be used where Extensions butt against BASE-RAY in preference to Splice Plate.

Remove Knockout in end of End Cap if piping is to run in this direction. Slide over end of Extension Panel.



ADJUSTABLE END CAPS & FILLER PIECES

– **Adjustable End Caps** are available in both left-hand and right-hand patterns and are used in the same locations as the standard end caps except the 9” length of the adjustable end caps makes it possible to fill in spaces of up to 7-1/2”. A knockout is also available in the ends for piping.

Filler pieces are used where a 9” space or less exists between two sections of baseboard or between a section of baseboard and baseboard extension.

To install adjustable end cap or filler piece accessory, insert bolt thru hole in accessory and engage toggle as shown below. Place accessory against BASE-RAY® at same time pushing toggle thru air outlet of BASE-RAY. With accessory in final location, tighten bolt until accessory is secure. Use finger to keep toggle in vertical position, as shown below.

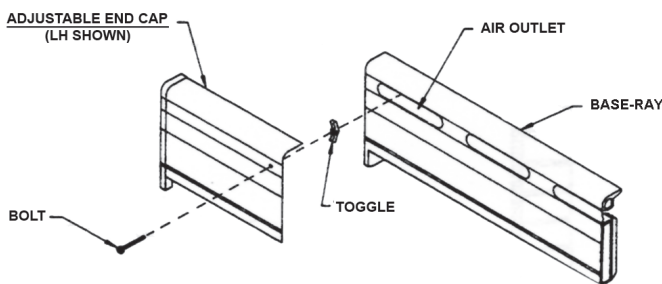


FIG. 1
INSTALLATION OF ADJUSTABLE END CAP

FIG. 2
PROPER LOCATION OF TOGGLE
WHEN SECURING ACCESSORY TO BASE-RAY

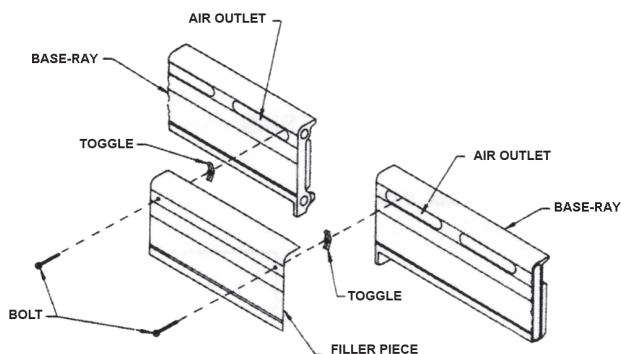
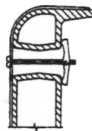


FIG. 3
INSTALLATION OF BASE-RAY
ADJUSTABLE END CAP & FILLER PEICE

10. Completing Installation – Important

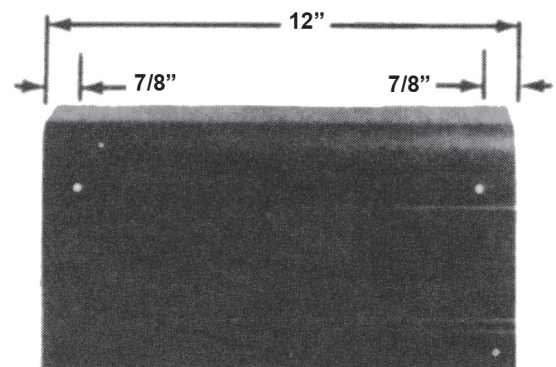
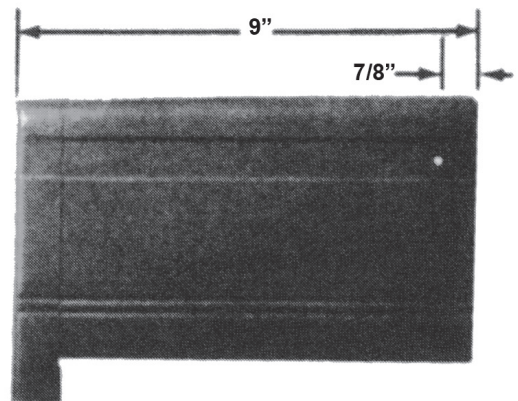
AIR-SEAL – It is necessary to prevent leakage of air between the walls and BASE-RAY®, since this will cause dirt streaks on the wall above the heating unit. This can be avoided by installing an “Air-Seal”.

We recommended using 1” wide tape for this purpose, preferably with a thermal setting adhesive, available from U.S. Boiler Company at nominal charge.

With the adhesive side down, press one-half of tape against the top of BASE-RAY and the other half against the wall as illustrated on page 9.

WOOD MOULDING – For finished installation, 3/4” quarter round or other wood moulding should be nailed to wall on top of BASE-RAY (over “Air-Seal”) and Trim and down side of Valve Enclosures. When Projecting Corner Plates are used, install wood moulding at base of Corner Plate to hold in place. An illustration showing the application of the moulding can be found on page 9.

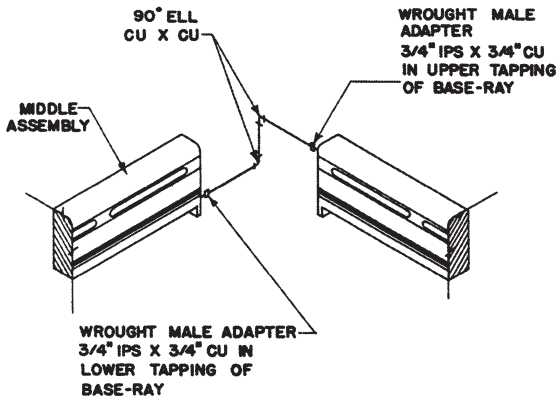
PAINTING – BASE-RAY and Trim are primed with a latex (water based) paint and must be top coated with a high grade oil or solvent based enamel to prevent rusting of the metals **immediately after installation**. **Primer coated products should not be allowed to sweat as a result of high room humidity or cold water in system.** The use of flat wall paint is not recommended since it may chip or crack when applied to surfaces that are heated. Consult reputable paint dealer.



SPECIAL APPLICATIONS

BASE-RAY® INSTALLED ON THREE WALLS OF ROOM

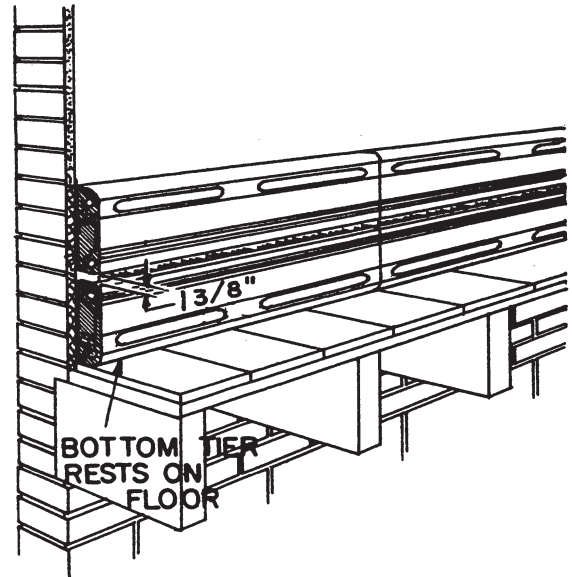
– When BASE-RAY is installed on three walls, expansion noises are sometimes created by the middle assembly when rigid piping is used to connect all three assemblies together. Flexibility can be gained by connecting two of the adjoining assemblies with a flexible connector or swing joint such as illustrated.



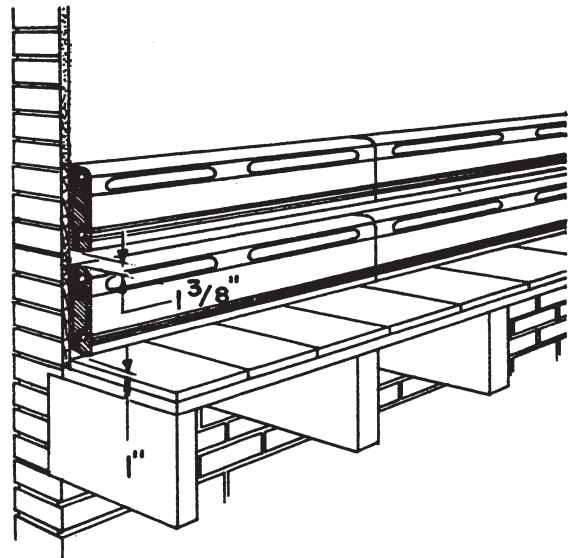
INSTALLATION WITH U.S. BOILER COMPANY RADIANT OR SLENDERIZED RADIATORS – Since a BASE-RAY installation is made in much the same manner as any other radiator system, U.S. BOILER COMPANY RADIANT OR SLENDERIZED RADIATORS may be used in a BASE-RAY Radiant Baseboard System.

TWO-TIER INSTALLATION – Where wall space is limited, BASE-RAY may be installed in tiers. Both sections may be upright or lower section inverted as illustrated. Legs on end sections are cut off to enhance appearance.

RATING CORRECTION FACTOR – If BASE-RAY is installed in tiers in accordance with the illustrations, each tier will have a rating of .91 times the rating shown in the Tables on pages 2 and 3.

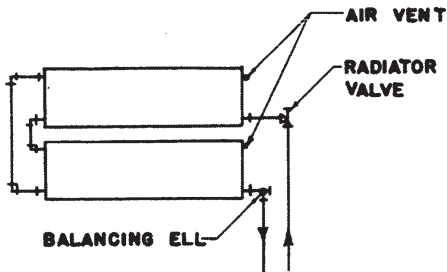


**Top Sections Upright,
Bottom Sections Inverted.**

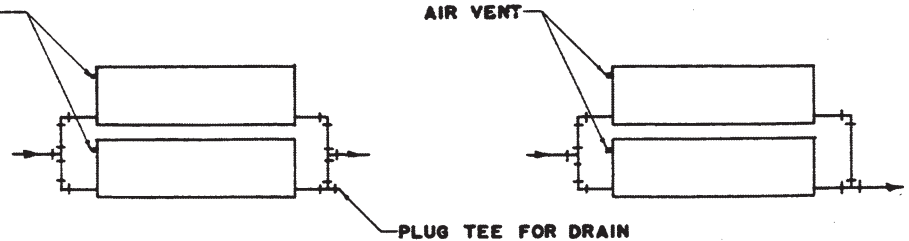


Both Sections Upright

**POSSIBLE PIPING ARRANGEMENTS
TWO-TIER BASE-RAY FORCED CIRCULATION HOT WATER SYSTEMS**



**SUPPLY & RETURN AT
SAME END OF ASSEMBLY**



SUPPLY & RETURN AT OPPOSITE ENDS OF ASSEMBLY

All Base-Ray® Repair Parts may be obtained through your local U.S. Boiler Company Wholesale distributor. Should you require assistance in locating a U.S. Boiler Company Distributor in your area, or have questions regarding the availability of U.S. Boiler Company products or repair parts, please contact U.S. Boiler Company Customer Service at (717) 481-8400 or Fax (717) 481-8408.

U.S. Boiler Company, Inc.
P.O. Box 3020
Lancaster, PA 17604
1-888-432-8887
www.usboiler.net