

► **Code Number**

3010009

► **Description**

Exposed Water Closet Flushometer, for floor mounted or wall hung top spud bowls.

► **Flush Cycle**

1.6 gpf/6.0Lpf

► **Specifications**

Quiet, Exposed, Diaphragm Type, Chrome Plated Closet Flushometer for left or right hand supply with the following features:

- PERMEX® Synthetic Rubber Diaphragm with Dual Filtered Fixed Bypass
- Sweat Solder Adapter with Cover Tube & Cast Wall Flange with Set Screw
- Non-Hold-Open Handle, Fixed Metering Bypass and No External Volume Adjustment to Ensure Water Conservation
- Diaphragm, Handle Packing and Vacuum Breaker to be molded from PERMEX® Rubber Compound for Chloramine Resistance
- Bumper on Angle Stop (for open front seat without cover) (YO)
- ADA Compliant Metal Oscillating Non-Hold-Open Handle
- Flush accuracy controlled by CID® technology
- Spud Coupling and Flange for 1 1/2" Top Spud

Valve Body, Cover, Tailpiece and Control Stop shall be in conformance with ASTM Alloy Classification for Semi-Red Brass. Valve shall be in compliance with the applicable sections of ASSE 1037 and ANSI/ASME 112.19.2.

- 1" I.P.S. Screwdriver Bak-Chek® Angle Stop with Free Spinning Vandal Resistant Stop Cap

► **Variations**

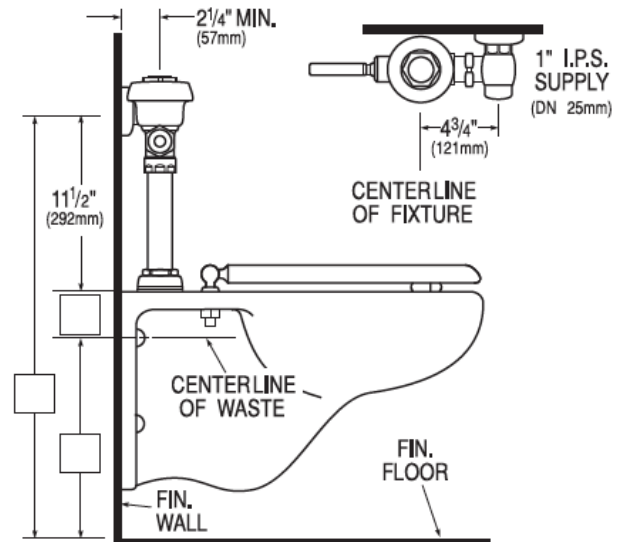
YO - Angle Stop Bumper

► **Accessories (Sold Separately)**

See Accessories Section of the Sloan catalog for available accessories

► **Fixtures**

Consult factory for matching Sloan brand fixture options.



► **Disclaimer**

All information contained within this document subject to change without notice.

► **Compliance & Certifications**

Made In The
USA

HET
HIGH-EFFICIENCY TOILET



This space for Architect/Engineer Approval