

# Installation Guide

## Freestanding Heated Air Bath with Heated Surface

Retain serial number for reference:  
Conserver le numéro de série pour référence:  
Guarde el número de serie para  
referencia: \_\_\_\_\_  
Français, page "Français-1"  
Español, página "Español-1"

THE BOLD LOOK  
OF **KOHLER**®

1385104-2-A

# Installation Instructions



**WARNING:** When using electrical products, basic precautions should always be followed, including the following:



**WARNING: Risk of electric shock.** Connect all components to circuits protected by a Ground-Fault Circuit-Interrupter (GFCI)\*.

Install to permit access for servicing.

A pressure wire connector marked "Earth/Ground" is provided within the wiring compartment. To reduce the risk of electric shock, connect this connector to the grounding terminal of your electric service or supply panel with copper wire equivalent in size to the circuit conductor supplying this equipment.

A pressure wire connector is provided on the exterior of the pump or control within this unit to permit connection of a bonding conductor between this unit and all the other exposed metal in the vicinity, as needed to comply with local requirements.

**Grounding is required.** The unit should be installed by a qualified service representative, and grounded.



**WARNING: Risk of injury or property damage.** Please read all instructions thoroughly before beginning installation, including the following requirements.



**WARNING: Risk of electric shock.** A qualified electrician should make all electrical connections.



**WARNING: Risk of electric shock.** Disconnect power before servicing.

**NOTICE: Follow all local plumbing and electrical codes.** In Canada, install this unit in accordance with the Canadian Electrical Code, Part 1.

\*Outside North America, this device may be known as a Residual Current Device (RCD).

## Product Information

### Electrical Requirements



**WARNING: Risk of burns, fire, electric shock, or injury.** Do not operate the heated surface if the junction box power supply cord is damaged. For proper guidance to have this product repaired, please call: 1-800-4KOHLER from within the USA or Canada, or 001-800-456-4537 from within Mexico.

The installation must have **two** Class A Ground-Fault Circuit-Interrupter (GFCI). The GFCI protects against line-to-ground shock hazard. **Use a 120 V, 15 A, 60 Hz dedicated service for the blower and junction box. Use a 120 V, 15 A, 60 Hz dedicated service for the bubble heater.**

If the blower supply cord is damaged, it must be replaced by the manufacturer, its service agent, or similarly qualified persons in order to avoid a hazard.

**For Wireless Music Kit:** The kit requires installation of an electrical outlet within close proximity to the amplifier location. Refer to the music kit installation instructions.

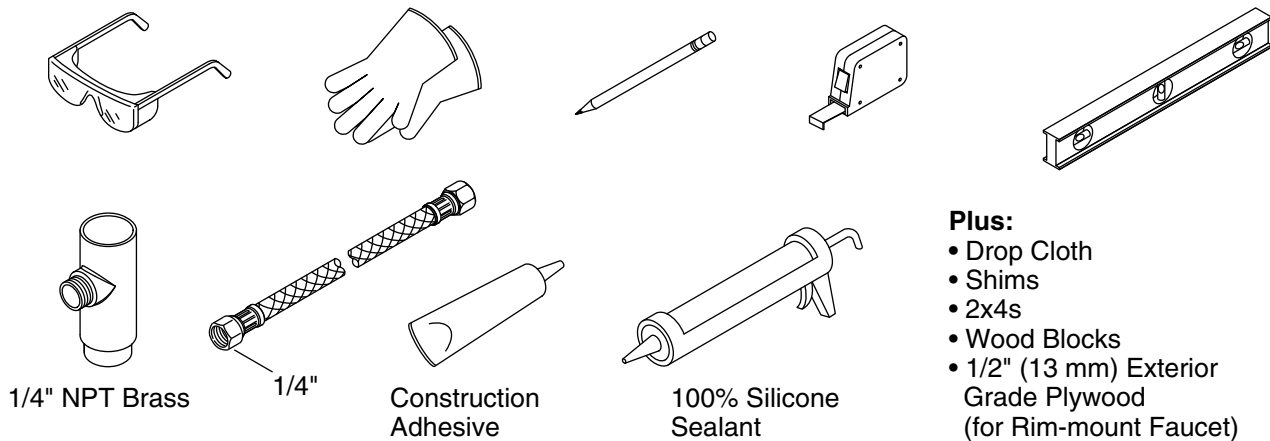
### Product Notices

**IMPORTANT!** The recommended operating pressure for this system is 35-60 psi (241-414 kPa).

**NOTICE:** Keep the area around the blower clean and free of debris. Ensure that the area around the blower is free of sawdust, insulation, dirt, and other small loose debris. Such material can block the blower air ducts and reduce the air flow through the blower.

**NOTICE:** This product contains an automatic water purge mode that turns the blower on for 2 minutes about 30 minutes after the unit is turned off and drained.

## Tools and Materials



## Before You Begin

**NOTICE:** Adequate floor support must be provided. Note the **model number** on the components end of the bath, then visit the product page at [kohler.com](http://kohler.com) for additional information.

**NOTICE:** Do not lift the bath by the piping or blower, or use the piping or blower for structural support of the bath. To avoid damage to the bath, lift by the rim at the sides of the bath.

**NOTICE:** Before installing a rim-mount bath faucet, refer to the specification sheet on the bath product page at [kohler.com](http://kohler.com).

**NOTICE:** Provide adequate backer board support for a rim-mount faucet; large faucets that may be inadvertently used as a means of support are not safe for this installation.

**NOTICE:** This product requires remote blower installation. Refer to the instructions included with the remote blower kit before proceeding.

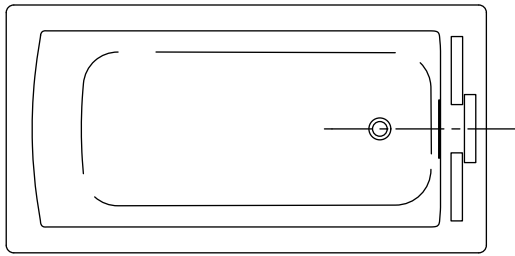
**NOTICE: For Wireless Music Kit:** Refer to the instructions included with the music kit for wiring and installation details.

**IMPORTANT!** To ensure a successful installation, install the bath on a level, finished floor.

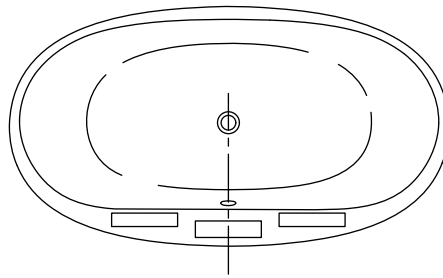
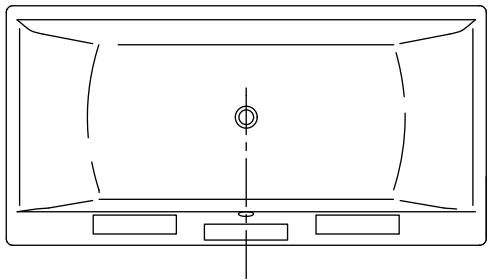
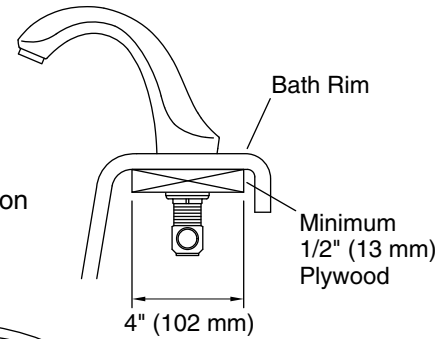
- Observe all local plumbing and building codes.
- Unpack and inspect the bath and components for damage. Return the bath and components to the carton until installation.
- To simplify future maintenance, make sure all plumbing and control board connections around the bath are easily accessible.
- Use conduit to route electrical wires from the circuit breaker.
- Carefully plan moving the bath into the installation area. This bath will not easily fit through doorways.
- Two people are needed to install this product.
- This bath is designed for freestanding installation only.
- If installing a rim-mount faucet, make sure there is no interference above or below the rim before drilling any holes.
- Illustrations shown may not look like your actual product but they still apply to this installation.

**Before You Begin (cont.)**

- This bath conforms to CSA B45.5/IAPMO Z124. All dimensions are nominal.



Recommended Faucet Location (See Specification Sheet for Dimensions)



## 1. Prepare the Rim-Mount Faucet (Optional)

**NOTICE:** Before installing a rim-mount bath faucet, refer to the specification sheet on the bath product page at [kohler.com](http://kohler.com) for faucet location dimensions for your model.

**NOTICE:** To accommodate the bath shroud, use flexible connections to attach the water supplies to a rim-mount faucet.

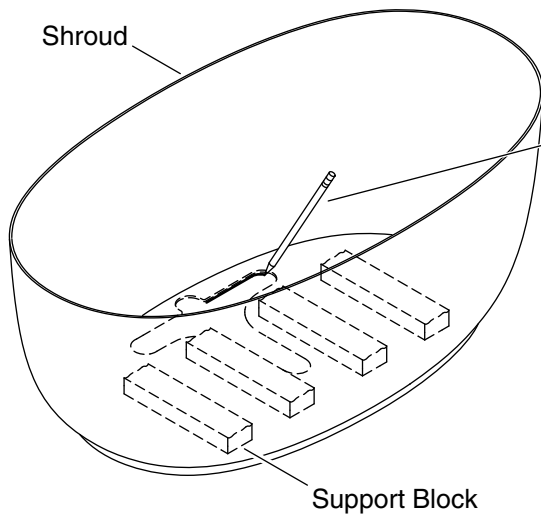
**NOTICE:** For rim-mount faucet installations, route the water supply lines high enough to permit access for making the final connections from above the shroud.

- Refer to the specification sheet on the bath product page at [kohler.com](http://kohler.com) to determine the recommended faucet location and drain model for your bath.
- Measure and cut a piece of 1/2" (13 mm) exterior grade plywood to support the faucet. The board should be 4" (102 mm) wide. The length should extend beyond the width of the faucet holes to ensure proper support.
- Locate the faucet in the desired location on the bath rim. Make sure the faucet trim fits on the bath rim without overhanging. Make sure there is no interference above or below the rim before drilling any holes.
- Refer to the installation instructions packed with the faucet to determine faucet hole size.
- Use a pencil to mark the faucet hole centerlines. Do not drill the holes at this time.

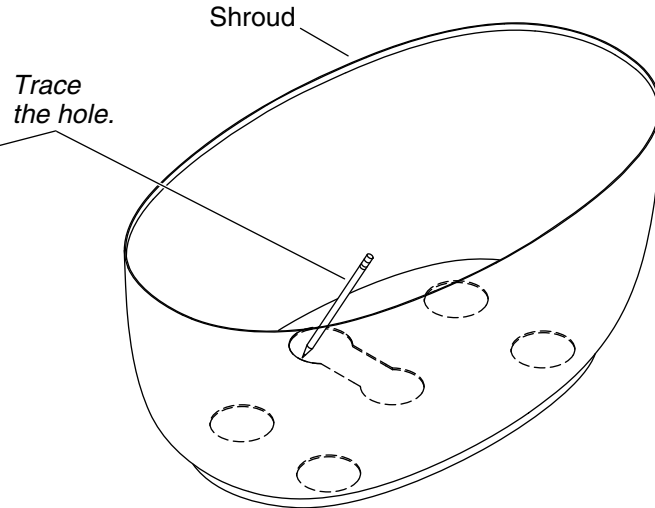
**CAUTION: Risk of product damage.** To avoid scratching the bath, position a thin piece of cardboard under any clamps before tightening.

- Position the plywood on the underside of the rim, then clamp in place. Make sure the clamps do not directly contact the finished surface of the bath.
- Carefully drill the faucet holes.
- Install the valve according to the installation instructions included with the valve. **Do not** install the faucet trim until instructed.

### Models with Support Blocks



### All Other Models



## 2. Prepare the Site

**NOTICE:** Measure your product for site preparation. Note the **model number** located on the components end of the bath, then visit the product page at [kohler.com](http://kohler.com) for additional information.

**NOTICE:** Remote blower installation kit K-1446 is available for relocating the blower. Refer to the installation instructions included with the remote blower kit before proceeding.

**NOTICE:** For models with support blocks, do not attempt to remove the hardened casting material covering the blocks. The casting material is required to properly position and install the bath.

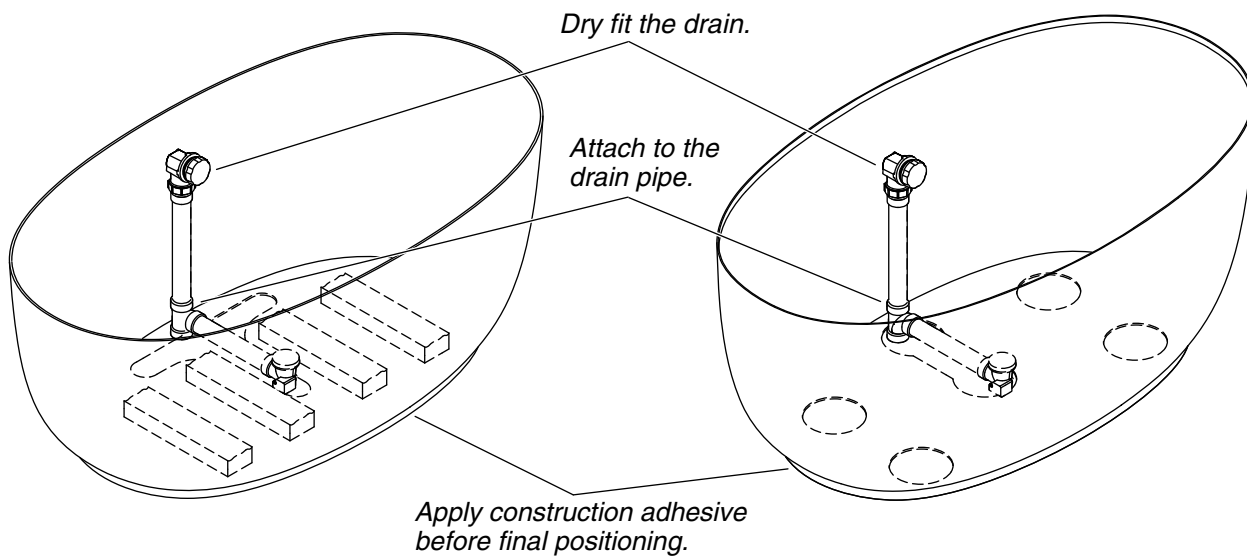
**IMPORTANT!** To ensure a successful installation, install the bath on a level, finished floor.

**IMPORTANT!** Make sure the subfloor offers adequate support for the bath.

- Temporarily position the bath and shroud in the installation location.
- If applicable, remove and discard the thin plastic film covering the support blocks.
- Verify that the **bath** is level. Shim under the shroud if necessary, and secure the shims to the floor.
- Without moving the shroud, lift and remove the bath from the shroud.
- Use the drain area cutout in the shroud to trace the drain hole area on the floor.
- Remove the shroud and set it aside.
- Refer to the specification sheet on the bath product page at [kohler.com](http://kohler.com) to determine any drain clearance requirements, and cut adequate floor clearance as needed.
- Refer to the specification sheet on the bath product page at [kohler.com](http://kohler.com) for drain height details. Position and install a standard PVC or brass bath drain pipe to the correct height.

### Models with Support Blocks

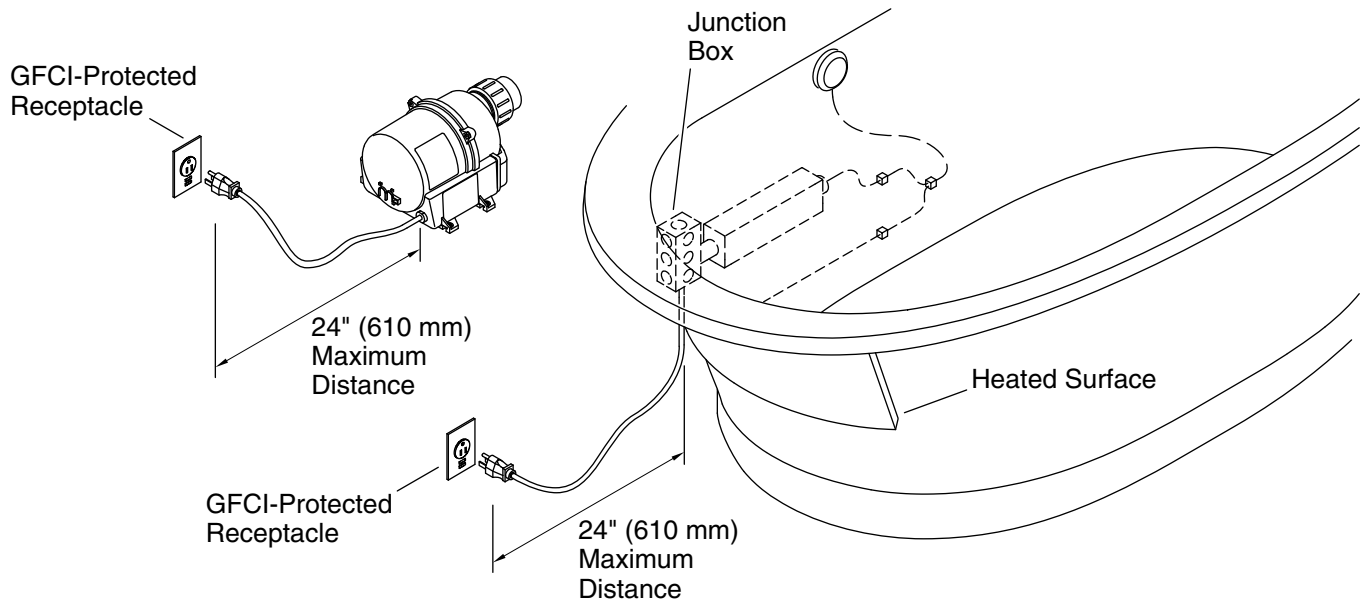
### All Other Models



## 3. Prepare the Bath

**NOTICE:** Refer to the drain instructions to dry fit the drain to the bath. **Do not cement and complete the drain installation until instructed.**

- Dry fit the drain assembly to the bath. Refer to the drain instructions. **Do not apply sealant or cement** to the drain components at this time.
- Loosen the drain and overflow connections from the bath, and remove the drain assembly from the bath.
- Dry fit the drain assembly to the drain pipe, which has already been cut to the correct height.
- Temporarily position the shroud in place over the drain assembly.
- With help, temporarily lift the bath into place in the shroud. Make sure the bath rim is completely seated over the shroud to engage the alignment guides.
- Verify that the drain and overflow connections line up properly with the drain and overflow holes on the bath. Measure and record any adjustments needed to the drain or overflow tube lengths.
- Remove the bath and shroud, leaving the drain and overflow assembly attached to the drain pipe.
- Adjust the length of the drain tubes as needed to ensure drain alignment with the drain and overflow holes in the bath.
- Repeat these drain fit steps until the drain and overflow connections line up with the drain and overflow holes in the bath.
- Cement and assemble the drain and overflow components. Connect the drain tee to the drain pipe.
- Apply 100% silicone sealant to both sides of the drain and overflow gaskets.
- Apply slow-drying construction adhesive to the bottom of the shroud.
- Carefully position the shroud over the drain, aligning the hole with the traced mark on the floor.



#### 4. Make the Electrical Connections



**DANGER: Risk of electric shock.** Connect the junction box, blower motor, and bubble heater to properly grounded, grounding-type receptacles protected by a Ground-Fault Circuit-Interrupter (GFCI)\*. Do not remove the grounding pins from the plugs. Do not use grounding adapters.



**WARNING: Risk of electric shock.** Make sure the power has been disconnected before performing the following procedures.

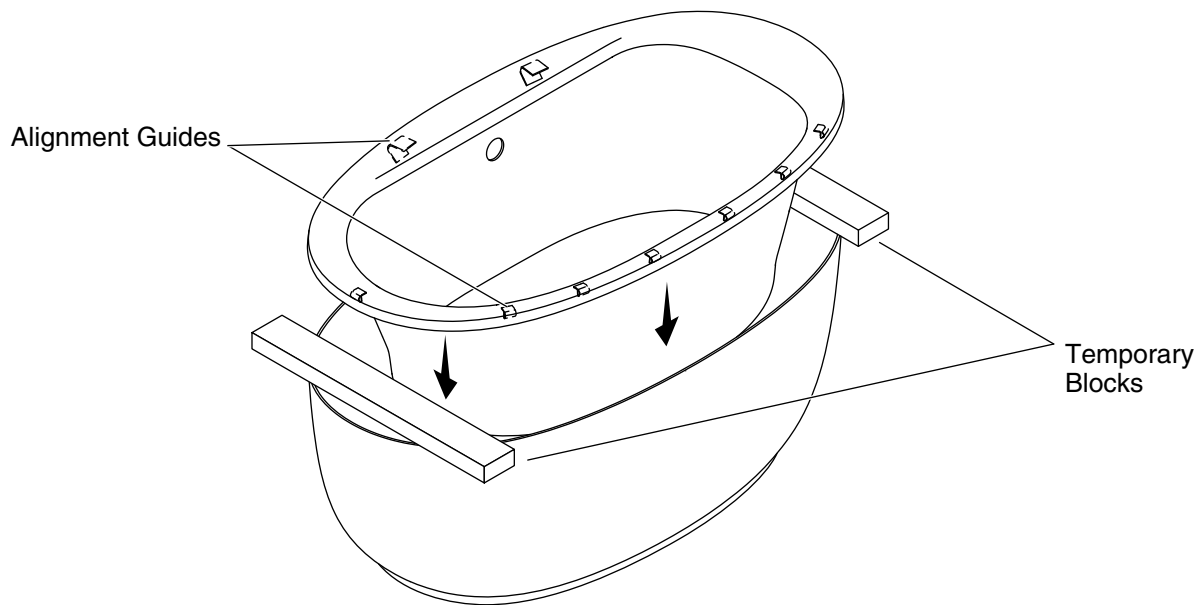
**NOTICE:** This product requires remote blower installation. Refer to the instructions included with the remote blower kit.

**NOTICE:** The blower, junction box, and bubble heater are equipped with cords and plugs. A qualified electrician must install **three** GFCI\*-protected, 120 V, 15 A, grounded outlets. The blower and junction box can be on the same dedicated circuit (circuit #1), but no other load should be on this circuit. The bubble heater must be on its own dedicated circuit (circuit #2). No other load should be on this circuit.

- **For Wireless Music Kit:** The kit requires installation of an electrical outlet within close proximity to the amplifier location. Refer to the music kit installation instructions.
- Install 3 electrical outlets within reach of the 24" (610 mm) power cords.
- Plug the blower cord into the outlet in circuit #1.
- Plug the junction box cord into the other outlet in circuit #1.

\*Outside North America, this device may be known as a Residual Current Device (RCD).



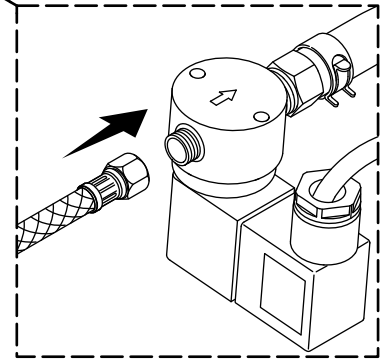
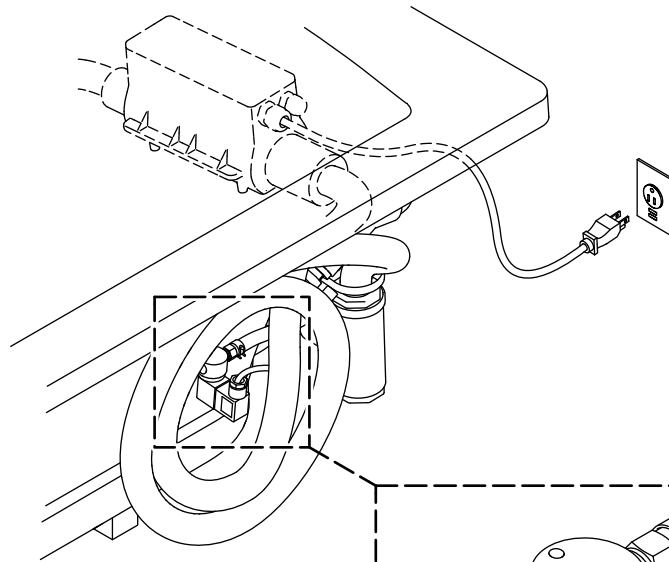
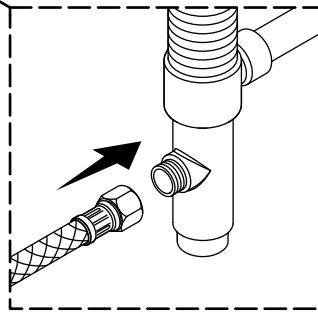
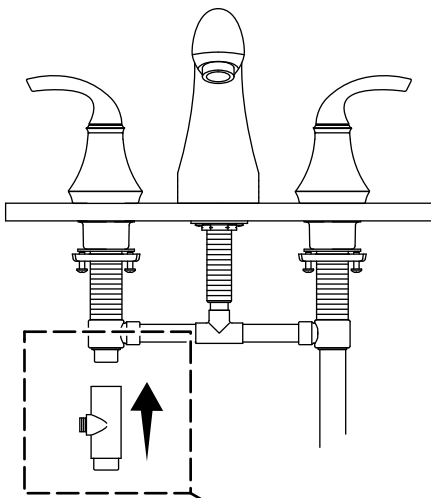


## 5. Install the Bath

**NOTICE:** Do not lift the bath by the piping or blower, or use the piping or blower for structural support of the bath. To avoid damage to the bath, lift by the rim at the sides of the bath.

**NOTE:** To provide access for securing the connections, temporarily position block spacers on opposing ends between the shroud and the bath rim. Position the blocks to avoid damaging the alignment guides located under the bath rim. The type of alignment guides may vary by product.

- With help, carefully lift the bath into place over the shroud and onto the temporary blocks.
- **For Wireless Music Kit:** Refer to the instructions included with the music kit for wiring and installation details, and make the final electrical connections.
- Secure all drain connections and fittings according to the drain instructions.
- For a rim-mount faucet, install the faucet and trim according to the faucet and trim instructions. Make sure there is adequate support under the bath rim to support the faucet. Refer to the "Prepare the Rim-Mount Faucet (Optional)" section.



## 6. Connect the Bubble Heater

- Install the tee to the hot water valve on the bath faucet.
- Thread the supply hose into the 1/4" NPT port of the tee.
- Thread the opposite side of the supply hose into the 1/4" NPT port of the solenoid valve. **Do not kink the hoses.**
- Plug the bubble heater cord into the remaining electrical outlet on circuit #2.

## 7. Complete the Installation

- Carefully remove the blocks and make sure the bath rim engages the top of the shroud on all sides. Ensure **all** alignment guides are inside the shroud; there should be no gap between the bath and the shroud.
- Install the drain flange and overflow cover according to the drain instructions.
- Close the bath drain. Fill the bath to the overflow, and check for leaks.
- If desired, apply a thin, continuous bead of clear or color-matched 100% silicone sealant to the seam between the shroud and the finished floor.

### Test Run the Bath

- Check all electrical connections and make sure that the electrical power to the bath is on.
- Operate the user keypad to test the temperature settings.
- Fill the bath to a level at least 4" (102 mm) above the top of the highest airjet.
- Operate the bath for 5 minutes and test the airjets.

## Complete the Installation (cont.)

- For additional information on bath and heated surface operation, see the "Operating the Air System" and "Operating the Heated Surface" sections.

# Important Safety Instructions

## READ AND FOLLOW ALL INSTRUCTIONS

## SAVE THESE INSTRUCTIONS

### INSTRUCTIONS PERTAINING TO A RISK OF FIRE, ELECTRIC SHOCK, OR INJURY TO PERSONS



**WARNING:** When using electrical products, basic precautions should always be followed, including the following:



**DANGER: Risk of accidental injury or drowning.** To reduce the risk of injury, do not permit children to use this unit unless they are closely supervised at all times.



**WARNING: Risk of personal injury.** To avoid injury, exercise care when entering or exiting the bath.



**WARNING: Risk of electric shock.** Do not permit electric appliances (such as a hair dryer, lamp, telephone, radio, or television) within 5' (1.5 m) of this bath.



**WARNING: The use of alcohol, drugs, or medication can greatly increase the risk of fatal hyperthermia.** Prolonged immersion in hot water may induce hyperthermia. Hyperthermia occurs when the internal temperature of the body reaches a level several degrees above the normal body temperature of 98.6°F (37°C). The symptoms of hyperthermia include an increase in the internal temperature of the body, dizziness, lethargy, drowsiness, and fainting. The effects of hyperthermia include: (a) failure to perceive heat, (b) failure to recognize the need to exit the bath, (c) unawareness of impending hazard, (d) fetal damage in pregnant women, (e) physical inability to exit the bath, and (f) unconsciousness resulting in the danger of drowning.



**WARNING: Risk of fetal injury.** Pregnant or possibly pregnant women should consult a physician before using the bath.



**WARNING: Risk of hyperthermia or drowning.** Do not use the bath immediately following strenuous exercise.



**WARNING: Risk of hyperthermia or drowning.** Water temperature in excess of 100°F (38°C) may cause injury. Test and adjust the water temperature before use.



**WARNING: Risk of personal injury.** Never drop or insert any object into any opening.

Use this bath only for its intended purpose as described in this guide. Do not use attachments not recommended by Kohler Co.

The bath must be connected only to a supply circuit that is protected by a Ground-Fault Circuit-Interrupter (GFCI)\*. Such a GFCI should be provided by the installer and should be tested on a routine basis. To test the GFCI, press the test button. The GFCI should interrupt power. Press the reset button. Power should be restored. If the GFCI fails to operate in this manner, the GFCI is defective. If the GFCI interrupts power to the bath without the test button being pressed, a ground current is flowing, indicating the possibility of an electric shock. Do not use this bath. Disconnect the bath and have the problem corrected by a qualified service representative before using.

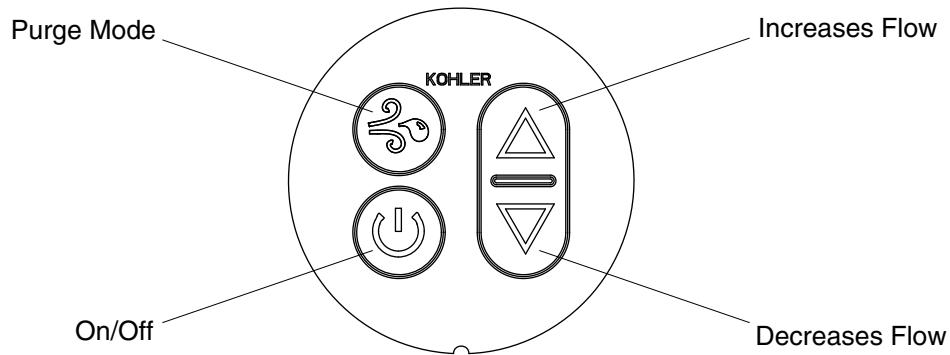
Flush your whirlpool system twice a month or more depending upon usage, as described in the "Flush the System" section of this guide.

**Important Safety Instructions (cont.)**

Repeated use of personal care products containing oils can damage plastic whirlpool components. Avoid using bath oils.

Whirlpool hydro-massage action can cause even a small amount of bubble bath, bath soap, shampoo, or bath oil to foam excessively. For this reason, please do not use these products during whirlpool operation.

\*Outside North America, this device may be known as a Residual Current Device (RCD).



## Operating the Air System

**IMPORTANT!** This product contains an automatic water purge mode that turns the blower on for 2 minutes approximately 30 minutes after the unit is turned off and drained.

**NOTE:** The water temperature in the bath should never exceed 104°F (40°C).

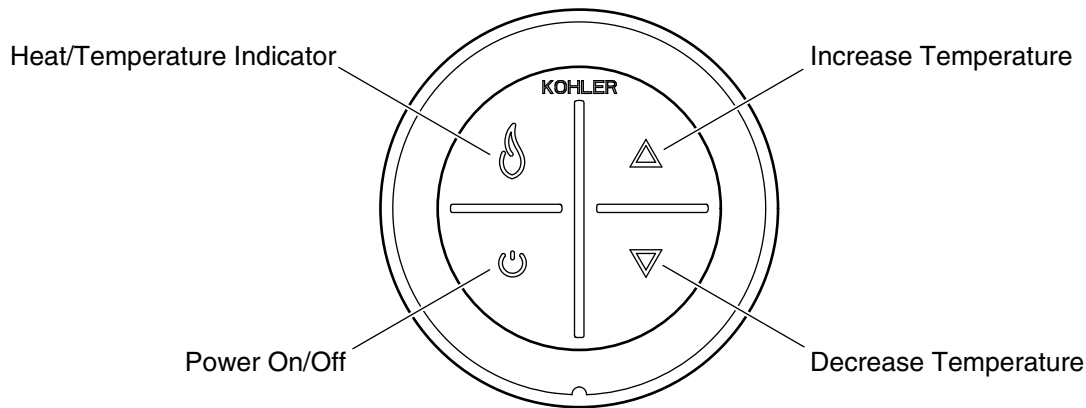
- Close the drain, then fill the bath at least 4" (102 mm) above the top of the highest airjet.
- Use your hand to test the water temperature for comfort and safety, then carefully enter the bath.
- Press the [On/Off] icon to turn the blower on at medium speed.
- Press the [Up] or [Down] arrow icons to increase or decrease the air flow.

**NOTE:** The blower will turn off automatically following 20 minutes of operation, and can be immediately restarted if desired.

- Press the [On/Off] icon a second time to turn off the blower.
- Carefully exit and drain the bath.
- Press the [Purge Mode] icon to blow remaining water from the air channels. The blower will turn on for 2 minutes and then turn off automatically.

**NOTE:** About 30 minutes after the blower motor stops, a 2 minute purge mode will automatically start.

**NOTE:** If the bath does not function properly, refer to the "Troubleshooting" section.



## Operating the Heated Surface

### Keypad Operation

- **Power Icon** - Turns the heater on and off.
- **Heat/Temperature Indicator** - The [Flame] icon illuminates yellow, orange, or red depending on the heat level. Yellow indicates low heat, orange indicates medium heat, and red indicates high heat.
- **Up Arrow** - Increases the temperature.
- **Down Arrow** - Decreases the temperature.

**NOTICE:** The heater will remain on until it is manually turned off by pressing the [Power] icon.

**NOTE:** After 60 minutes of inactivity, the heater will automatically reset to low heat if the temperature was set to medium or high.

**NOTE:** The heater will turn on at the last selected temperature setting.

### Error Codes

- **Heat indicator blinking red** - The heater is not functioning.
- **Heat indicator blinking yellow** - The temperature sensor is not functioning or is loose.
- Refer to the "Troubleshooting" section to troubleshoot any problems.

### Confirm Heating System Operation

- Press the [Power] icon on the user keypad.
- Observe that the heat indicator turns yellow and the heater produces low heat.
- Press the [Up] arrow. Verify that the heat indicator turns orange and the temperature increases.
- Press the [Up] arrow a second time. Verify that the heat indicator turns red and the temperature increases.
- Press the [Down] arrow. Verify that the heat indicator turns orange and the temperature decreases.
- Press the [Down] arrow a second time. Verify that the heat indicator turns yellow and the temperature decreases.
- Press the [Power] icon to turn the heater off.

## Care and Cleaning

- **Do not use powdered cleaners unless the cleaner is fully dissolved in water.** Solid substances could block the airjets.
- **Do not use full strength bleach or ammonia cleaning solutions.** Chemically active cleaning solutions can damage the bath surface.
- **Do not use abrasive cleansers or solvents on acrylic surfaces.** Abrasive cleaners and solvents can damage the bath surface.
- Wipe out your acrylic bath with a soft cloth after each use.
- Avoid detergents, disinfectants, or cleaning products in aerosol cans.

**NOTE:** To restore dull or scratched units: Apply white automotive polishing compound with a clean rag. Rub scratches and dull areas vigorously. Wipe off residue. Follow with a coat of white automotive paste wax. Do not wax areas where you walk or stand.

### Cleaning Your User Keypad and Remote Control

- Use a soft cloth to wipe the keypad and remote control after each use. If the surface becomes dirty, use a non-abrasive soap and warm water to clean.

### Maintaining the Airjets

- If cleaning the airjets is required due to hard water deposits, use a small between-the-teeth dental brush and white vinegar. Dip the brush in the vinegar, brush the hole, rinse the brush in clean water, and then use the wet rinsed brush to rinse the hole.
- Fill the bath with water to the top row of airjets. Drain the bath and press the purge button.

For detailed cleaning information and products to consider, visit [www.kohler.com/clean](http://www.kohler.com/clean). To order Care & Cleaning information, call 1-800-456-4537.

## Troubleshooting

**NOTICE:** This section is for general aid only. A Kohler Co. Authorized Service Representative or qualified electrician should correct any electrical problems. For warranty service, call 1-800-4KOHLER from within the USA and Canada, or 001-800-456-4537 from within Mexico.

For service parts information, visit your product page at [kohler.com/serviceparts](http://kohler.com/serviceparts).

### Air Bath System

Symptoms	Probable Causes	Recommended Action
1. Blower turns on by itself after the bath has been drained.	A. Normal operation. Automatic purge mode is working as designed.	A. No action is required. Automatic purge mode runs for 2 minutes 30 minutes after the bath is drained.
2. Blower turns off by itself after running for 2 minutes.	A. The Purge Mode icon was pressed instead of the On/Off icon.	A. Press the On/Off icon on the keypad. See the air bath operating instructions section.
3. Blower motor will not start.	A. Power cord from blower motor is loose, disconnected, or damaged.	A. Check wiring for proper connections.
	B. User keypad cable loose or damaged.	B. Check wire connections. If necessary, replace user keypad cable.
	C. User keypad does not work.	C. Replace user keypad.
	D. Blower motor does not work.	D. Replace the blower motor.
4. Blower motor stops running and will not immediately restart.	A. Blower motor overheated and protection device activated.	A. Check for blockage at blower air intake. Remove blockage and allow motor to cool.

<b>Troubleshooting (cont.)</b>		
<b>Symptoms</b>	<b>Probable Causes</b>	<b>Recommended Action</b>
5. Blower motor starts, some but not all airjets are working.	A. Blower motor speed is too low.	A. Increase speed.
	B. Blower motor inlet is blocked.	B. Clean blower motor inlet.
	C. Blower motor does not work.	C. Replace the blower motor.
	D. Blower motor discharge is blocked.	D. Clear blockage.
	E. Check valve (some models) does not work.	E. Replace the check valve.
	F. Airjets are clogged.	F. Use a small between-the-teeth dental brush and white vinegar. Dip the brush in the vinegar, brush the hole, rinse the brush in clean water, and then use the wet rinsed brush to rinse the hole.
6. Blower motor runs but no air bubbles are observed.	A. Blower motor inlet is blocked.	A. Clean blower motor inlet.
	B. Airjets are clogged.	B. Use a small between-the-teeth dental brush and white vinegar. Dip the brush in the vinegar, brush the hole, rinse the brush in clean water, and then use the wet rinsed brush to rinse the hole.
	C. Check valve (some models) does not work.	C. Replace the check valve.
	D. Blower motor does not work.	D. Replace the blower motor.
7. Blower motor operates, air bubbles are observed, but speed feature does not work.	A. Blower motor inlet is blocked.	A. Clean blower motor inlet.
	B. Loose, disconnected, or damaged wiring harness.	B. Check wiring for proper connections. Replace the wiring harness if necessary.
	C. User keypad does not work.	C. Replace the user keypad.
	D. Blower motor does not work.	D. Replace the blower motor.
8. Blower motor does not turn off when the On/Off button is pressed.	A. User keypad does not work.	A. Replace the user keypad.
	B. Loose, disconnected, or damaged wiring harness.	B. Check wiring for proper connections. Replace the wiring harness if necessary.
	C. Control does not work.	C. Replace the control.
9. Purge mode does not work.	A. User keypad does not work.	A. Replace the user keypad.
	B. Control does not work.	B. Replace the control.
10. Bath does not purge automatically.	A. Blower does not work.	A. Replace the blower.
<b>Heated Surface</b>		
<b>Symptoms</b>	<b>Probable Causes</b>	<b>Recommended Action</b>
11. Heated bath does not turn on.	A. No power to power supply.	A. Set/reset GFCI or RCD breaker; check wiring.
	B. User keypad cable loose or damaged.	B. Check wire connections. If necessary, replace user keypad cable.
	C. User keypad does not work.	C. Check wire connections. Replace user keypad.
	D. Power supply does not work.	D. Replace power supply.
12. Bath is turned on, but there is little or no heat.	A. Heater cable loose or damaged.	A. Check wire connections. If necessary, replace heater cable.
	B. Heater/insulation loose on the bath.	B. Secure the heater/insulation to the bath.



**Troubleshooting (cont.)**

<b>Symptoms</b>	<b>Probable Causes</b>	<b>Recommended Action</b>
	<b>C.</b> Heat indicator is yellow or orange. <b>D.</b> Heater does not work. <b>E.</b> Temperature sensor does not work.	<b>C.</b> Press the [Up] arrow to increase temperature. <b>D.</b> Replace the heater. <b>E.</b> Replace the heater.
<b>13.</b> Temperature does not automatically reset to low after 1 hour.	<b>A.</b> Temperature sensor does not work.	<b>A.</b> Replace the heater and/or keypad.
<b>14.</b> Heat indicator is blinking red.	<b>A.</b> Heating system needs to be reset. <b>B.</b> Heater does not work.	<b>A.</b> Press the [Power] icon to turn the power off. Wait 10 seconds, then turn the power on. <b>B.</b> Replace the heater.
<b>15.</b> Heat indicator is blinking yellow.	<b>A.</b> Heating system needs to be reset. <b>B.</b> Temperature sensor does not work.	<b>A.</b> Press the [Power] icon to turn the power off. Wait 10 seconds, then turn the power on. <b>B.</b> Replace the heater.

# Guide d'installation

Baignoire à jets d'air chauffée autoportante  
avec surface chauffée

# Instructions d'installation



**WARNING:** Lors de l'utilisation de produits électriques, toujours observer les précautions de base, dont les suivantes :



**WARNING: Risque de choc électrique.** Raccorder tous les composants à des circuits protégés par un disjoncteur de fuite de terre (GFCI).\*

Installer de façon à permettre un accès pour l'entretien.

Un connecteur à pression pour câbles marqué « Earth/Ground » (Terre/Masse) est fourni dans le compartiment de câblage. Afin de réduire les risques de choc électrique, raccorder ce connecteur à une borne de terre du panneau de service électrique ou du panneau d'alimentation avec un câble en cuivre ayant la même dimension que le conducteur du circuit qui alimente cet équipement.

Un connecteur à pression pour câbles est fourni à l'extérieur de la pompe ou de la commande de cet appareil afin de permettre la connexion d'un conducteur de mise à la terre entre cet appareil et toutes les autres surfaces de métal avoisinantes, tel que requis par les réglementations locales.

**Une mise à la terre est requise.** L'ensemble doit être installé par un représentant qualifié et doit être mis à la terre.



**WARNING: Risque de blessures ou d'endommagement du matériel.** Toutes les instructions doivent être lues avec la plus grande attention avant de commencer l'installation, et toutes les conditions suivantes doivent être respectées.



**WARNING: Risque de choc électrique.** Un électricien qualifié doit effectuer toutes les connexions électriques.



**WARNING: Risque de choc électrique.** Déconnecter l'alimentation électrique avant d'effectuer un entretien.

**NOTICE: Respecter tous les codes de plomberie et électriques locaux.** Installer cet ensemble conformément au Code canadien de l'électricité, Partie 1.

\*Hors de l'Amérique du Nord, ce dispositif peut être connu sous le nom de dispositif à courant résiduel (RCD).

## Information sur le produit

### Installations électriques requises



**WARNING: Risque de brûlures, d'incendie, d'électrocution ou de blessures.** Ne pas faire fonctionner la surface chauffée de la boîte de jonction si le cordon d'alimentation est endommagé. Pour obtenir une assistance adéquate pour la réparation de ce produit, appeler : 1-800-4KOHLER à partir des É.-U. ou du Canada, ou le 001-800-456-4537 à partir du Mexique.

Cette installation doit être munie de **deux** disjoncteurs de fuite de terre (GFCI) de classe A. Le disjoncteur GFCI protège contre les risques d'électrocution fil sous tension-terre. **Utiliser une alimentation de 120 V, 15 A, 60 Hz dédiée pour le souffleur et la boîte de jonction. Utiliser une alimentation de 120 V, 15 A, 60 Hz dédiée pour le chauffe-bulles.**

Si le cordon d'alimentation du souffleur est endommagé, il doit être remplacé par le fabricant, son représentant ou des professionnels qualifiés dans ce domaine afin d'éviter tout danger.

**Pour kit de musique sans fil :** Ce kit exige l'installation d'une prise électrique dans une proximité immédiate de l'amplificateur. Se référer aux instructions d'installation du kit de musique.

## Information sur le produit (cont.)

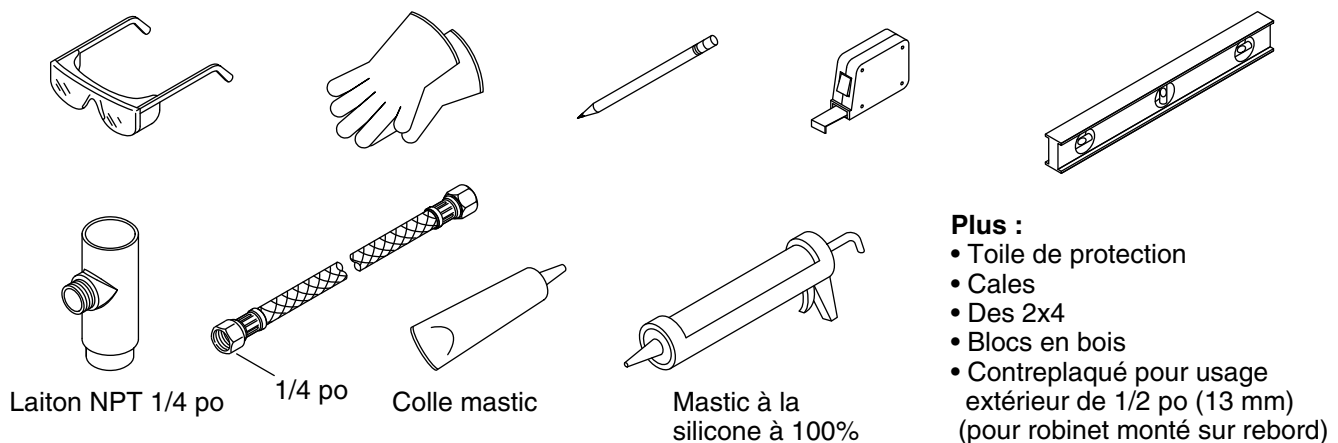
### Notices du produit

**IMPORTANT!** La pression de fonctionnement recommandée pour ce système est 35 à 60 psi (241 à 414 kPA).

**NOTICE:** Garder l'espace autour du souffleur propre et exempt de débris. S'assurer que l'espace autour du souffleur est exempt de sciure, de matériau isolant, de saleté ou d'autres petits débris volatiles. De tels matériaux pourraient boucher les conduits d'air du souffleur et réduire le débit d'air à travers le souffleur.

**NOTICE:** Ce produit comprend un mode de purge d'eau automatique qui met le souffleur en marche pendant 2 minutes, 30 minutes environ après l'arrêt et la vidange du dispositif.

### Outils et matériel



- Plus :**
- Toile de protection
  - Cales
  - Des 2x4
  - Blocs en bois
  - Contreplaqué pour usage extérieur de 1/2 po (13 mm) (pour robinet monté sur rebord)

### Avant de commencer

**NOTICE:** Un support de plancher adéquat doit être fourni. Noter le **numéro de modèle** se trouvant sur le côté composants de la baignoire, puis visiter la page du produit sur le site kohler.com pour obtenir de l'information supplémentaire.

**NOTICE:** Ne pas soulever la baignoire par la tuyauterie ou le souffleur, et ne pas utiliser ceux-ci comme support structurel de la baignoire. Afin d'éviter tout endommagement de la baignoire, soulever celle-ci par les côtés.

**NOTICE:** Avant d'installer un robinet de baignoire à montage sur rebord, se reporter à la fiche de spécifications de la page du produit de la baignoire sur le site kohler.com.

**NOTICE:** Fournir un support avec planche d'appui adéquat pour un robinet à montage sur rebord; les robinets de grande taille qui auraient été utilisés par inadvertance comme moyen de support ne sont pas sécuritaires pour cette installation.

**NOTICE:** Ce produit exige l'installation d'un souffleur à distance. Consulter les instructions accompagnant le kit du souffleur à distance avant de continuer.

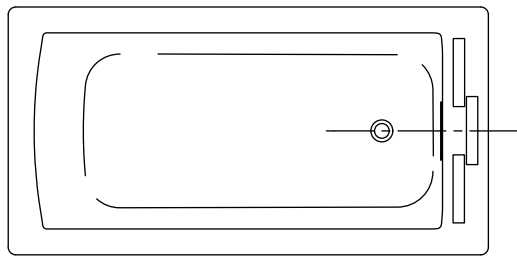
**NOTICE: Pour kit de musique sans fil :** Se reporter aux instructions accompagnant le kit de musique en ce qui concerne le câblage et les détails d'installation.

**IMPORTANT!** Pour assurer une installation réussie, installer la baignoire sur un plancher fini de niveau.

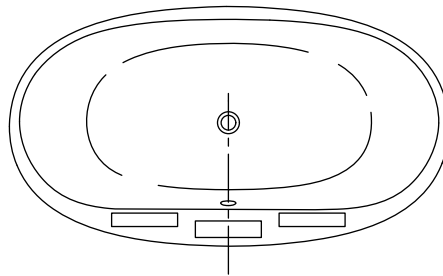
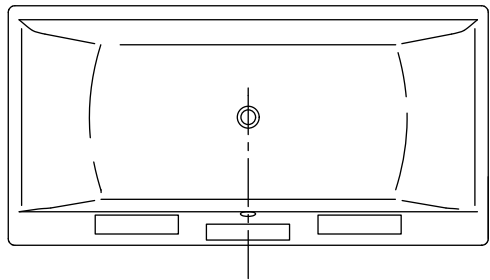
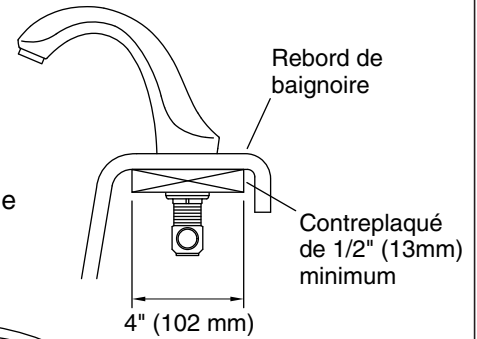
□ Respecter tous les codes de plomberie et de bâtiment locaux.

### **Avant de commencer (cont.)**

- Déballer et inspecter la baignoire et les composants pour détecter tout dommage. Remettre la baignoire et les composants dans l'emballage jusqu'à l'installation.
- Pour simplifier la maintenance future, s'assurer qu'il est possible d'accéder sans difficulté à toutes les connexions de plomberie et du tableau de commande autour de la baignoire.
- Utiliser le conduit pour acheminer les fils électriques en provenance du disjoncteur.
- Planifier avec attention le déplacement de la baignoire dans l'emplacement d'installation. Cette baignoire ne passe pas facilement par les entrées de portes.
- Deux personnes sont nécessaires pour installer ce produit.
- Cette baignoire est conçue pour une installation autoportante uniquement.
- Lorsqu'on installe un robinet sur rebord, s'assurer qu'il n'y ait pas d'interférence au-dessus ou au-dessous du rebord avant de percer des trous.
- Les illustrations pourraient ne pas ressembler au produit réel, mais elles s'appliquent néanmoins pour cette installation.
- Cette baignoire est conforme à la norme CSA B45.5/IAPMO Z124. Toutes les dimensions sont nominales.



□ Emplacement de robinet recommandé (Voir la fiche de spécifications pour les dimensions)



## 1. Préparer le robinet monté sur rebord (optionnel)

**NOTICE:** Avant d'installer un robinet de baignoire à montage sur rebord, se reporter à la fiche de spécifications de la page du produit de la baignoire sur le site kohler.com pour les dimensions de l'emplacement du robinet pour le modèle en question.

**NOTICE:** Pour adapter l'enveloppe de la baignoire, utiliser des connexions flexibles pour attacher les arrivées d'eau sur un robinet monté sur le rebord.

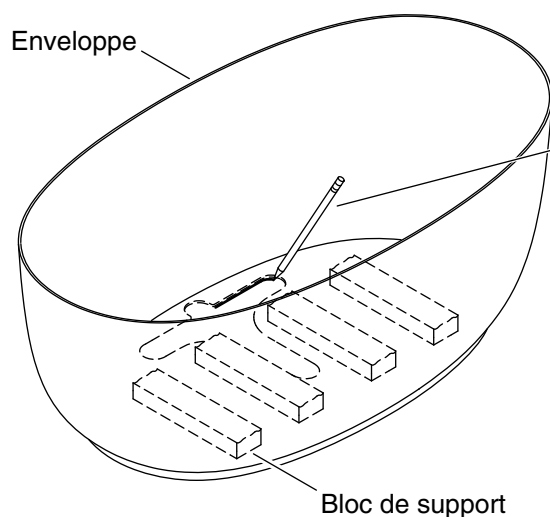
**NOTICE:** Pour les installations à montage sur rebord, acheminer les conduites d'arrivée d'eau assez haut pour permettre un accès pour effectuer les connexions finales à partir du dessus de l'enveloppe.

- Se reporter à la fiche de spécifications sur la page du produit de la baignoire sur le site kohler.com afin de déterminer l'emplacement du robinet et le modèle du drain recommandés pour la baignoire en question.
- Mesurer et couper un morceau de contreplaqué extérieur de 1/2 po (13 mm) pour supporter le robinet. La largeur de la planche doit être égale à 4 po (102 mm). La longueur doit se prolonger au-delà de la largeur des trous du robinet pour assurer un support adéquat.
- Positionner le robinet dans l'emplacement souhaité sur le rebord de la baignoire. S'assurer que la garniture du robinet s'adapte sur le rebord de la baignoire sans surplomber. S'assurer qu'il n'y ait pas d'interférence au-dessus ou au-dessous du rebord avant de percer des trous.
- Se reporter aux instructions d'installation accompagnant le robinet pour déterminer la taille des trous du robinet.
- Utiliser un crayon pour marquer les lignes centrales des trous du robinet. Ne pas percer de trous pour l'instant.

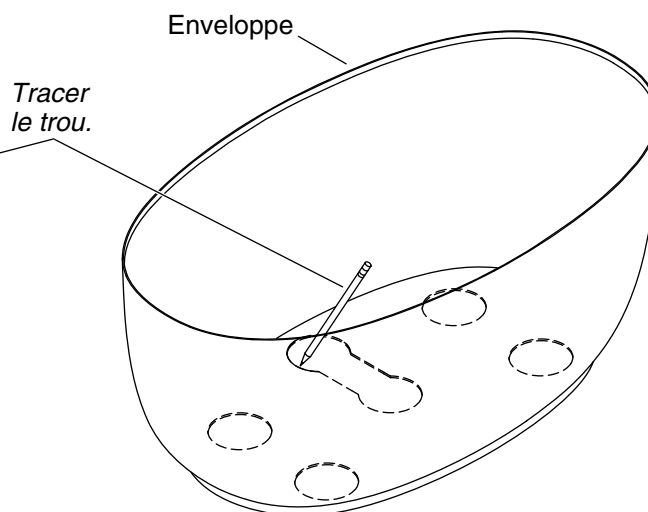
**CAUTION: Risque d'endommagement du produit.** Pour éviter de rayer la baignoire, positionner un fin morceau de carton sous les brides avant de serrer.

- Positionner le contreplaqué sur le dessous du rebord, puis le serrer en place avec des brides. Assurer que les brides ne rentrent pas en contact direct avec la surface finie de la baignoire.
- Percer les orifices pour le robinet avec précaution.
- Installer la vanne en suivant les instructions d'installation accompagnant celle-ci. **Ne pas** installer la garniture du robinet avant instructions spécifiques.

### Modèles avec des blocs de support



### Tous les autres modèles



## 2. Préparer le site

**NOTICE:** Mesurer le produit pour la préparation du site. Noter le **numéro de modèle** se trouvant sur le côté composants de la baignoire, puis visiter la page du produit sur le site [kohler.com](http://kohler.com) pour obtenir de l'information supplémentaire.

**NOTICE:** Le kit K-1446 d'installation du souffleur à distance est disponible pour le changement de positionnement du souffleur. Consulter les instructions d'installation accompagnant le kit d'installation du souffleur avant de continuer.

**NOTICE:** Pour les modèles munis de blocs de support, ne pas essayer de retirer le matériau du moulage durci qui couvre les blocs. Le matériau de moulage est requis pour positionner et installer la baignoire correctement.

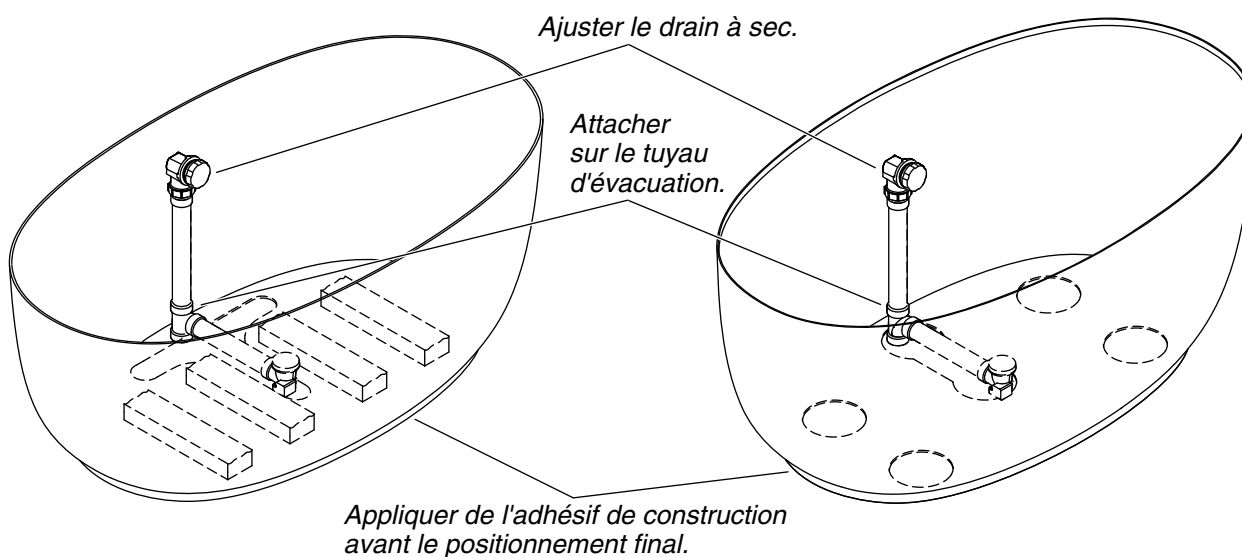
**IMPORTANT!** Pour assurer une installation réussie, installer la baignoire sur un plancher fini de niveau.

**IMPORTANT!** S'assurer que le sous-plancher offre un support adéquat pour la baignoire.

- Positionner temporairement la baignoire et l'enveloppe dans l'emplacement d'installation.
- Le cas échéant, retirer et jeter le film léger en plastique qui couvre les blocs de support.
- Vérifier que la **baignoire** est de niveau. Poser des cales sous l'enveloppe si nécessaire, et fixer les cales au sol.
- Sans déplacer l'enveloppe, lever et retirer la baignoire de l'enveloppe.
- Utiliser la découpe de la surface du drain dans l'enveloppe pour tracer la surface du trou du drain sur le plancher.
- Retirer l'enveloppe et la mettre de côté.
- Se reporter à la fiche de spécifications sur la page du produit de la baignoire sur le site [kohler.com](http://kohler.com) pour déterminer les exigences de dégagement du drain, et découper le dégagement au sol adéquat au besoin.
- Se reporter à la fiche de spécifications sur la page du produit de la baignoire sur le site [kohler.com](http://kohler.com) pour obtenir de l'information détaillée sur la hauteur du drain. Positionner et installer un tuyau d'évacuation de baignoire standard en PVC ou en laiton à la hauteur correcte.

### Modèles avec des blocs de support

### Tous les autres modèles



## 3. Préparer la baignoire

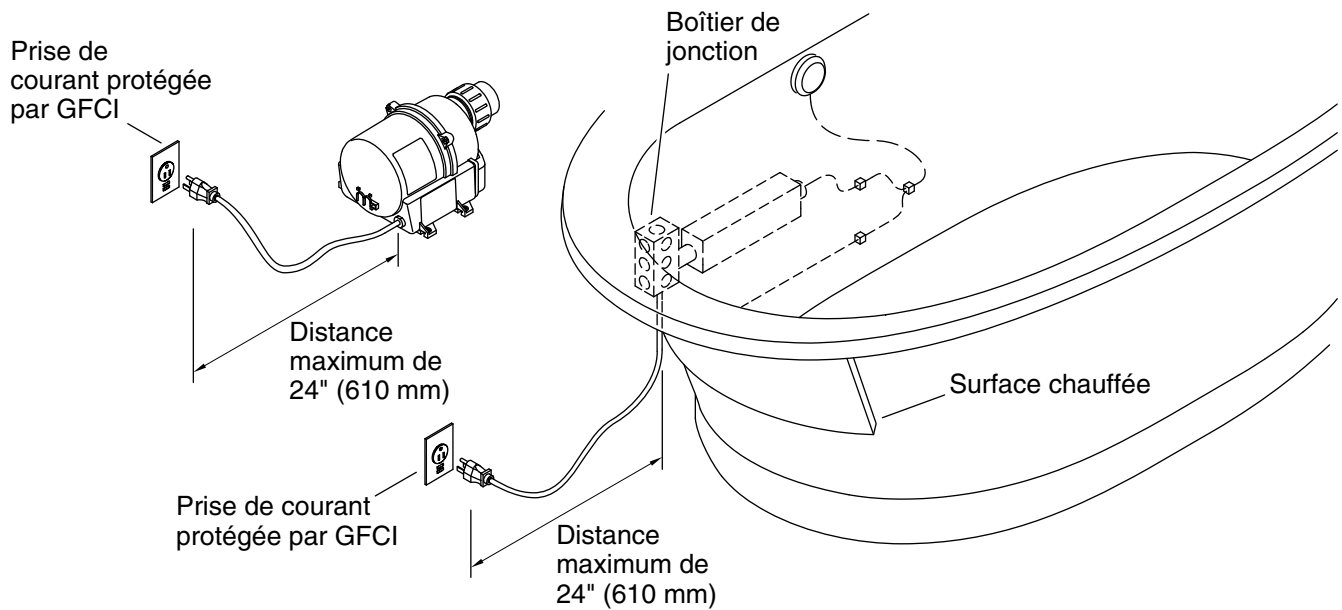
**NOTICE:** Se reporter aux instructions accompagnant le drain pour ajuster celui-ci à sec sur la baignoire. **Ne pas cimenter et ne pas terminer l'installation du drain avant d'en avoir reçu l'instruction.**

- Ajuster l'ensemble du drain à sec sur la baignoire. Se reporter aux instructions accompagnant le drain. **Ne pas appliquer de mastic ou de ciment** sur les composants du drain à ce point.
- Desserrer les raccords du drain et du trop-plein de la baignoire et retirer l'ensemble du drain de la baignoire.
- Assembler l'ensemble du drain à sec sur le tuyau d'évacuation qui a déjà été coupé à la hauteur adéquate.
- Positionner temporairement l'enveloppe en place par-dessus l'ensemble du drain.
- Avec de l'aide, lever la baignoire temporairement pour la positionner dans l'enveloppe. S'assurer que le rebord de la baignoire est entièrement assis par-dessus l'enveloppe pour engager les guides de centrage.
- Vérifier que les raccords du drain et du trop-plein soient alignés correctement sur les trous du drain et du trop-plein sur la baignoire. Mesurer et noter tous les ajustements nécessaires pour les longueurs des tubes d'évacuation et de trop-plein.
- Retirer la baignoire et l'enveloppe en laissant l'ensemble drain et trop-plein attachés sur le tuyau d'évacuation.
- Ajuster la longueur des tubes d'évacuation selon les besoins afin d'assurer l'alignement du drain avec les trous du drain et du trop-plein dans la baignoire.
- Répéter ces étapes d'adaptation du drain jusqu'à ce que les raccords du drain et du trop-plein soient alignés avec les trous du drain et du trop-plein dans la baignoire.
- Cimenter et assembler les composants du drain et du trop-plein. Raccorder le té du drain au tuyau d'évacuation.
- Appliquer du mastic à la silicone à 100% sur les deux côtés des joints statiques du drain et du trop-plein.
- Appliquer de la colle mastic à séchage lent sur le fond de l'enveloppe.



### **Préparer la baignoire (cont.)**

- Positionner avec précaution l'enveloppe par-dessus le drain, en alignant le trou avec les repères tracés sur le plancher.



#### 4. Effectuer les connexions électriques



**DANGER: Risque de choc électrique.** Raccorder la boîte de jonction, le moteur du souffleur et le chauffe-bulles à des prises de courant avec mise à la terre et mises à la terre de manière adéquate protégées par un disjoncteur de fuite de terre (GFCI)\*. Ne pas retirer les broches de mise à la terre des fiches. Ne pas utiliser des adaptateurs de mise à la terre.



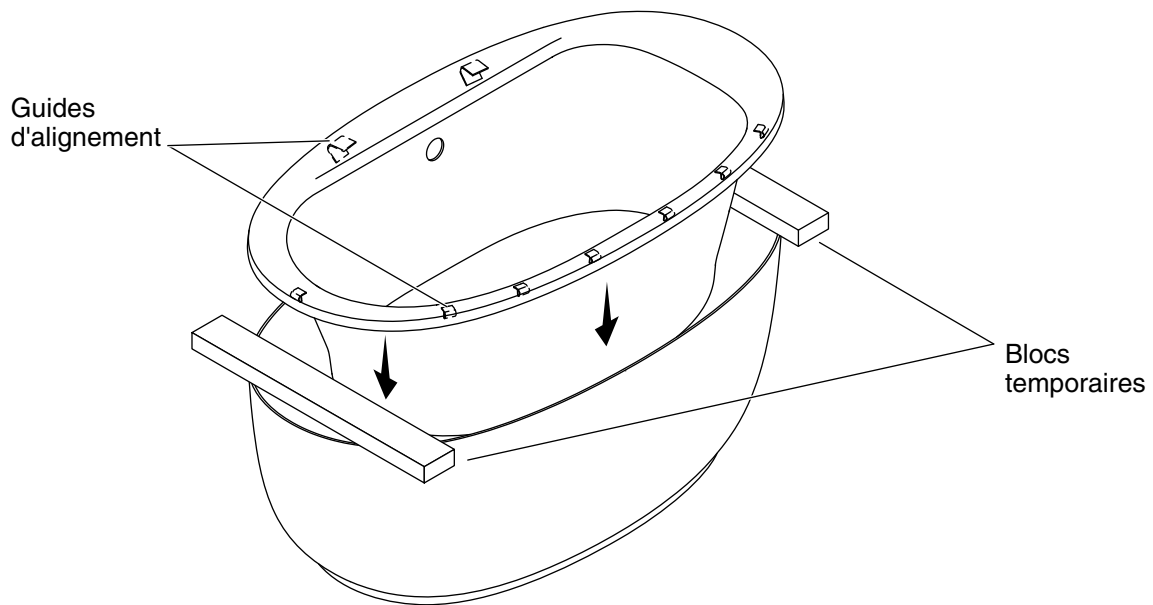
**WARNING: Risque de choc électrique.** S'assurer que l'alimentation a été débranchée avant d'effectuer les procédures suivantes.

**NOTICE:** Ce produit exige l'installation d'un souffleur à distance. Consulter les instructions accompagnant le kit du souffleur à distance.

**NOTICE:** Le souffleur, la boîte de jonction et le chauffe-bulles sont munis de cordons et de prises. Un électricien qualifié doit installer **trois** prises de 120 V, 15 A mises à la terre et protégées par un disjoncteur de fuite de terre\*. Le souffleur et la boîte de jonction peuvent se trouver sur le même circuit dédié (circuit n° 1), mais aucune autre charge ne doit se trouver sur ce circuit. Le chauffe-bulles doit se trouver sur son propre circuit dédié (circuit n° 2). Aucune autre charge ne doit être branchée sur ce circuit.

- **Pour kit de musique sans fil :** Ce kit exige l'installation d'une prise électrique dans une proximité immédiate de l'amplificateur. Se référer aux instructions d'installation du kit de musique.
- Installer 3 prises électriques à proximité des cordons d'alimentation de 24 po (610 mm).
- Brancher le cordon du souffleur dans le circuit n° 1.
- Brancher le cordon de la boîte de jonction dans l'autre prise dans le circuit n° 1.

\*Hors de l'Amérique du Nord, ce dispositif peut être connu sous le nom de dispositif à courant résiduel (RCD).

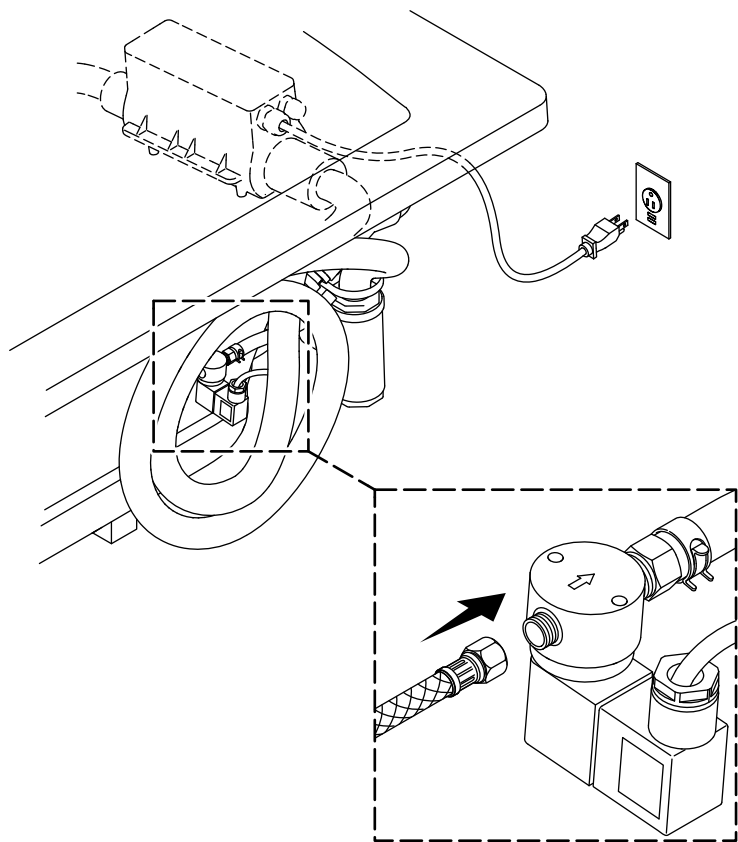
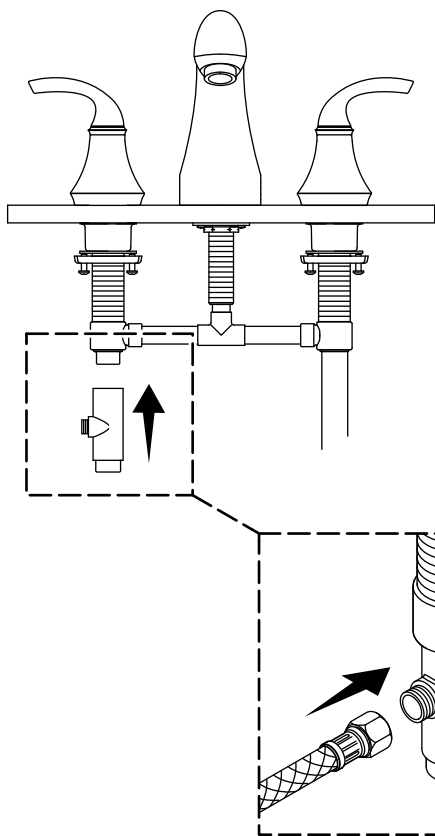


## 5. Installer la baignoire

**NOTICE:** Ne pas soulever la baignoire par la tuyauterie ou le souffleur, et ne pas utiliser ceux-ci comme support structurel de la baignoire. Afin d'éviter tout endommagement de la baignoire, soulever celle-ci par les côtés.

**NOTE:** Pour fournir un accès pour la fixation des raccords, positionner temporairement des blocs d'espacement sur les côtés opposés, entre l'enveloppe et le rebord de la baignoire. Positionner les blocs de manière à éviter d'endommager les guides de centrage se trouvant sous le rebord de la baignoire. Le type de guides d'alignement peut varier selon le produit.

- Avec de l'aide, lever la baignoire avec précaution pour la positionner par-dessus l'enveloppe et sur les blocs d'espacement temporaires.
- **Pour kit de musique sans fil :** Se référer aux instructions accompagnant le kit de musique en ce qui concerne les détails de câblage et d'installation, et effectuer les connexions électriques finales.
- Installer les connexions et les raccords du drain selon les instructions accompagnant le drain.
- Pour un robinet à montage sur rebord, installer le robinet et la garniture conformément aux instructions qui les accompagnent. S'assurer qu'il y a un support adéquat sous le rebord de la baignoire pour soutenir le robinet. Se reporter à la section « Préparer le robinet monté sur le rebord (optionnel) ».



## 6. Connecter le chauffe-bulles

- Installer le té sur la vanne d'eau chaude sur le robinet de la baignoire.
- Enfiler le tuyau d'alimentation dans le port NPT de 1/4 po du té.
- Enfiler le côté opposé du tuyau d'alimentation dans le port NPT de 1/4 po de l'électrovanne. **Ne pas entortiller les tuyaux.**
- Brancher le cordon du chauffe-bulles dans la prise électrique restante sur le circuit n° 2.

## 7. Terminer l'installation

- Retirer les blocs avec précaution et s'assurer que le rebord de la baignoire engage le dessus de l'enveloppe sur tous les côtés. S'assurer que **tous** les guides de centrage se trouvent à l'intérieur de l'enveloppe; aucun écart ne devrait être présent entre la baignoire et l'enveloppe.
- Installer la bride du drain et le couvercle du trop-plein selon les instructions accompagnant le drain.
- Fermer le drain de la baignoire. Remplir la baignoire jusqu'au trop-plein et rechercher des fuites.
- Si souhaité, appliquer un boudin fin et continu de mastic à la silicone à 100% transparent ou de couleurs semblables sur le joint entre l'enveloppe et le plancher fini.

### Effectuer un essai de fonctionnement de la baignoire

- Inspecter toutes les connexions électriques et s'assurer que l'alimentation électrique pour la baignoire est activée.
- Faire fonctionner le clavier utilisateur pour tester les réglages de la température.
- Remplir la baignoire à un niveau d'eau se trouvant à au moins 4 po (102 mm) au-dessus du haut du jet d'air le plus élevé.

## Terminer l'installation (cont.)

- Faire fonctionner la baignoire pendant 5 minutes et tester les jets d'air.
- Pour obtenir de l'information supplémentaire sur le fonctionnement de la baignoire et de la surface chauffée, consulter les sections "« Utilisation du système d'air » et « Utilisation de la surface chauffée ».

# Instructions Importantes sur la sécurité

## LIRE ET SUIVRE TOUTES LES INSTRUCTIONS

## CONSERVER CES INSTRUCTIONS

### INSTRUCTIONS RELATIVES AUX RISQUES D'INCENDIE, D'ÉLECTROCUTION OU DE BLESSURES CORPORELLES



**WARNING: Lors de l'utilisation de produits électriques, toujours observer les précautions de base, dont les suivantes :**



**DANGER: Risque de blessures ou de noyade accidentelles** Afin de réduire les risques de blessures, ne jamais permettre à un enfant d'utiliser cet appareil sans surveillance étroite, en tout temps.



**WARNING: Risque de blessures.** Pour éviter les blessures corporelles, entrer et sortir avec précaution de la baignoire.



**WARNING: Risque de choc électrique.** Ne pas amener les appareils électriques (tels que des sèche-cheveux, des lampes, des téléphones, des radios ou des télévisions) dans un rayon de 5 pi (1,5 m) de cette baignoire.



**WARNING: La consommation d'alcool, de drogues ou de médicaments peut augmenter considérablement le risque fatal d'hyperthermie.** Une immersion prolongée dans l'eau chaude peut provoquer une hyperthermie. Une hyperthermie a lieu lorsque la température corporelle interne atteint un niveau dépassant de plusieurs degrés la température corporelle normale de 98,6°F (37°C). Les symptômes d'hyperthermie comprennent une hausse de la température corporelle interne, les étourdissements, une léthargie, une somnolence et les évanouissements. Les effets de l'hyperthermie comprennent : (a) défaut de percevoir la chaleur, (b) défaut de s'apercevoir du besoin de sortir de la baignoire, (c) incapacité de reconnaître le danger imminent, (d) lésions au fœtus dans le cas des femmes enceintes, (e) incapacité physique de sortir de la baignoire et (f) inconscience et danger conséquent de noyade.



**WARNING: Risque de préjudice corporel au fœtus.** Les femmes enceintes ou qui pourraient être enceintes doivent consulter un médecin avant d'utiliser la baignoire.



**WARNING: Risque d'hyperthermie ou de noyade.** Ne pas utiliser la baignoire immédiatement après des exercices physiques rigoureux.



**WARNING: Risque d'hyperthermie ou de noyade.** Une température d'eau supérieure à 100°F (38°C) peut causer des traumatismes. Vérifier et régler la température de l'eau avant utilisation.



**WARNING: Risque de blessures.** Ne jamais faire tomber ou insérer un objet quelconque dans les ouvertures.

Utiliser cette baignoire uniquement aux fins décrites dans ce guide. Ne pas utiliser de dispositifs d'attache non recommandés par Kohler Co.

La baignoire doit être raccordée uniquement à un circuit d'alimentation qui est protégé par un disjoncteur de fuite de terre (GFCI)\*. L'installateur doit fournir un disjoncteur de fuite de terre de ce type et celui-ci doit

### **Instructions Importantes sur la sécurité (cont.)**

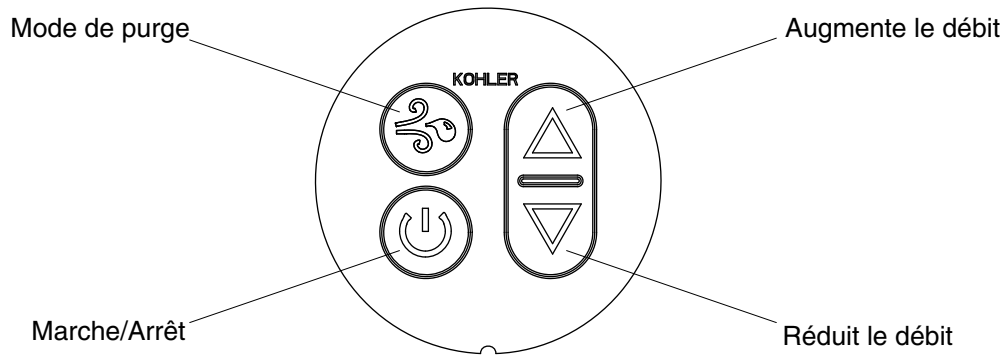
être inspecté régulièrement. Pour inspecter le disjoncteur de fuite de terre, appuyer sur le bouton d'essai. Le disjoncteur de fuite de terre doit couper le courant. Appuyer sur le bouton de réinitialisation. L'alimentation devrait avoir été restaurée. Si le disjoncteur de fuite de terre ne fonctionne pas de cette manière, le disjoncteur est défectueux. Si le disjoncteur de fuite de terre interrompt l'alimentation de courant vers la baignoire sans que l'on ait appuyé sur le bouton d'essai, ceci indique qu'un courant à la terre est en train de circuler, et, par conséquent, la possibilité d'un choc électrique. Ne pas utiliser cette baignoire. Débrancher la baignoire et demander à un technicien qualifié de résoudre le problème avant d'utiliser celle-ci.

Purger le système de la baignoire à hydromassage deux fois par mois ou plus souvent selon la fréquence d'usage, tel que décrit dans la section « Purger le système » de ce guide.

L'utilisation répétée de produits d'hygiène et de beauté contenant des huiles peut endommager les composants en plastique de la baignoire à hydromassage. Éviter d'utiliser des huiles de bain.

L'action de massage de la baignoire à hydromassage peut considérablement faire mousser les produits de bain moussant, le savon, les shampoings, ou les huiles pour le bain, même de petite quantité. Pour cette raison, veiller à ne pas utiliser ces produits pendant le fonctionnement de la baignoire à hydromassage.

\*Hors de l'Amérique du Nord, ce dispositif peut être connu sous le nom de dispositif à courant résiduel (RCD).



## Utilisation du système d'air

**IMPORTANT!** Ce produit comprend un mode de purge d'eau automatique qui met le souffleur en marche pendant 2 minutes, 30 minutes environ après l'arrêt et la vidange du dispositif.

**NOTE:** La température de l'eau de la baignoire ne doit jamais dépasser 104°F (40°C).

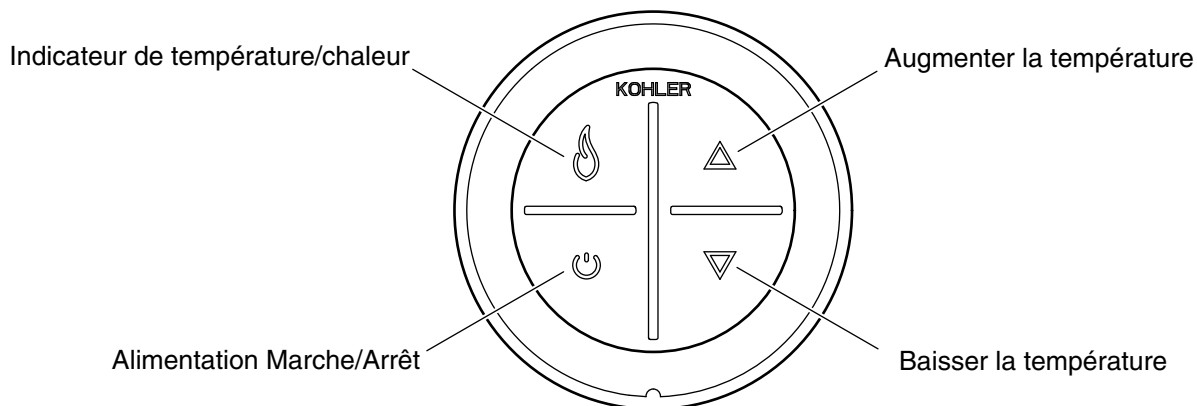
- Fermer le drain, puis remplir la baignoire à au moins 4 po (102 mm) au-dessus du jet d'air le plus élevé.
- Utiliser la main pour tester la température de l'eau pour le confort et la sécurité, puis entrer doucement dans la baignoire.
- Appuyer sur l'icône [Marche/Arrêt] pour mettre le souffleur en marche à une vitesse moyenne.
- Appuyer sur les icônes de flèches [vers le haut] ou [vers le bas] pour augmenter ou diminuer le débit d'air.

**NOTE:** Le souffleur s'éteint automatiquement au bout de 20 minutes de fonctionnement, et il peut être redémarré immédiatement si souhaité.

- Appuyer une deuxième fois sur l'icône [Marche/Arrêt] pour arrêter le souffleur.
- Sortir de la baignoire avec précaution et vider celle-ci.
- Appuyer sur l'icône [Mode Purge] pour souffler le reste d'eau hors des conduits d'air. Le souffleur se met en marche pendant 2 minutes, puis il s'arrête automatiquement.

**NOTE:** Au bout de 30 minutes environ après l'arrêt du moteur du souffleur, un mode de purge de 2 minutes se met en marche automatiquement.

**NOTE:** Si la baignoire ne fonctionne pas correctement, se référer à la section « Dépannage ».



## Utilisation de la surface chauffée

### Fonctionnement du clavier

- **Icône d'alimentation**  - Met le réchauffeur en marche et l'arrête.
- **Indicateur de température/chaleur**  - L'icône [Flamme] s'allume en jaune, en orange ou en rouge, en fonction du niveau de la chaleur. Le jaune indique une chaleur basse, l'orange indique une chaleur moyenne, et le rouge indique une chaleur élevée.
- **Flèche vers le haut**  - Augmente la température.
- **Flèche vers le bas**  - Abaisse la température.

**NOTICE:** Le réchauffeur reste en marche jusqu'à ce qu'il soit arrêté manuellement, en appuyant sur l'icône [Alimentation].

**NOTE:** Au bout de 60 minutes d'inactivité, le réchauffeur se réinitialise automatiquement sur une chaleur basse si la température a été réglée au niveau moyen ou élevé.

**NOTE:** Le réchauffeur se met en marche avec la dernière température sélectionnée.

### Codes d'erreur

- **L'indicateur de chaleur clignote en rouge**  - Le réchauffeur ne fonctionne pas.
- **L'indicateur de chaleur jaune clignote**  - La sonde de température ne fonctionne pas ou est desserrée.
- Se reporter à la section « Dépannage » pour rechercher des problèmes et y remédier.

### Vérifier le fonctionnement du système de chauffage

- Appuyer sur l'icône [Alimentation] sur le clavier utilisateur.
- Observer que l'indicateur de chaleur devient jaune et que le réchauffeur fournit une chaleur basse.
- Appuyer sur la flèche [vers le haut]. Vérifier que l'indicateur de chaleur devient orange et que la température augmente.
- Appuyer une deuxième fois sur la flèche [vers le haut]. Vérifier que l'indicateur de chaleur devient rouge et que la température diminue.
- Appuyer sur la flèche [vers le bas]. Vérifier que l'indicateur de chaleur devient orange et que la température diminue.
- Appuyer une deuxième fois sur la flèche [vers le bas]. Vérifier que l'indicateur de chaleur devient jaune et que la température diminue.



## Utilisation de la surface chauffée (cont.)

- Appuyer sur l'icône [Alimentation] pour arrêter l'appareil de chauffage.

## Entretien et nettoyage

- **Ne pas utiliser d'agents nettoyants en poudre, sauf si ceux-ci sont complètement dilués dans l'eau.** Des substances solides pourraient obstruer les jets d'air.
- **Ne pas utiliser de solutions de nettoyage avec eau de Javel ou ammoniacale à concentration intégrale.** Les solutions de nettoyage à agents chimiques actifs peuvent endommager la surface de la baignoire.
- **Ne pas utiliser de nettoyants abrasifs ou de solvants sur les surfaces acryliques.** Les produits nettoyants abrasifs et les solvants peuvent endommager la surface de la baignoire.
- Essuyer la baignoire en acrylique avec un tissu doux après chaque usage.
- Éviter les détergents, les désinfectants ou les produits de nettoyage en bombes aérosols.

**NOTE:** Pour réparer les dispositifs délustrés ou rayés : Appliquer un produit à polir blanc pour automobiles avec un chiffon propre. Polir vigoureusement les rayures et les surface délustrées. Essuyer les résidus. Passer ensuite une couche de cire en pâte blanche pour automobiles. Ne pas cirer les surfaces sur lesquelles l'on marche ou sur lesquelles l'on se tient debout.

### Nettoyer le clavier utilisateur et la télécommande

- Utiliser un chiffon doux pour essuyer le clavier et la télécommande après chaque usage. Si la surface devient sale, utiliser un savon non-abrasif et de l'eau tiède pour le nettoyage.

### Maintenance des jets d'air

- Si le nettoyage des jets d'air s'avère nécessaire en raison de dépôts d'eau calcaire, utiliser une petite brosse de nettoyage entre les dents et du vinaigre blanc. Tremper la brosse dans le vinaigre, brosser l'orifice, rincer la brosse à l'eau propre, puis utiliser la brosse mouillée et rincée pour rincer l'orifice.
- Remplir la baignoire avec de l'eau jusqu'à la rangée supérieure des jets d'air. Vidanger la baignoire et appuyer sur le bouton de purge.

Pour obtenir des renseignements détaillés sur le nettoyage et les produits à considérer, consulter le site [www.kohler.com/clean](http://www.kohler.com/clean). Pour commander des renseignements sur le nettoyage, appeler le 1-800-456-4537.

## Dépannage

**NOTICE:** Cette section est seulement destinée à une aide générale. Un représentant du service agréé Kohler Co. ou un électricien qualifié doit rectifier tous les problèmes électriques. Pour un service de garantie, appeler le 1-800-4KOHLER à partir des É.-U. et du Canada, ou le 001-800-456-4537 à partir du Mexique.

Pour tout renseignement sur les pièces de rechange, visiter la page du produit sur le site [kohler.com/serviceparts](http://kohler.com/serviceparts).

### Système de baignoire à jets d'air

Symptômes	Causes probables	Action recommandée
1. Le souffleur se met en marche de lui-même lorsque la baignoire a été vidangée.	A. Fonctionnement normal. Le mode de purge automatique fonctionne tel que prévu.	A. Aucune action n'est requise. Le mode de purge automatique fonctionne pendant 2 minutes, 30 minutes après la vidange de la baignoire.
2. Le souffleur s'arrête de lui-même après avoir fonctionné pendant 2 minutes.	A. On a appuyé sur l'icône Mode Purge au lieu de l'icône Marche/Arrêt.	A. Appuyer sur l'icône Marche/Arrêt sur le clavier utilisateur. Voir la section Instructions d'opération de la baignoire à jets d'air.

<b>Dépannage (cont.)</b>		
<b>Symptômes</b>	<b>Causes probables</b>	<b>Action recommandée</b>
3. Le moteur du souffleur ne démarre pas.	A. Le cordon d'alimentation en provenance du moteur du souffleur est desserré, déconnecté ou endommagé.	A. Inspecter le câblage pour vérifier que les connexions sont adéquates.
	B. Câble du clavier utilisateur desserré ou endommagé.	B. Vérifier les connexions de fils. Si nécessaire, remplacer le câble du clavier utilisateur.
	C. Le clavier utilisateur ne fonctionne pas.	C. Remplacer le clavier utilisateur.
	D. Le moteur du souffleur ne fonctionne pas.	D. Remplacer le moteur du souffleur.
4. Le moteur du souffleur s'arrête de fonctionner et ne redémarre pas immédiatement.	A. Moteur de souffleur surchauffé et système de protection activé.	A. Rechercher une obstruction au niveau de l'orifice d'entrée d'air du souffleur. Éliminer l'obstruction et laisser le moteur refroidir.
5. Le moteur du souffleur démarre, mais quelques jets d'air ne fonctionnent pas.	A. La vitesse du moteur du souffleur est trop basse.	A. Augmenter la vitesse.
	B. L'orifice d'entrée du moteur du souffleur est obstrué.	B. Nettoyer l'orifice d'entrée du moteur du souffleur.
	C. Le moteur du souffleur ne fonctionne pas.	C. Remplacer le moteur du souffleur.
	D. L'orifice de sortie du moteur du souffleur est obstrué.	D. Dégager l'obstruction.
	E. Le clapet de non-retour (certains modèles) ne fonctionne pas.	E. Remplacer le clapet de non-retour.
	F. Les jets d'air sont bouchés.	F. Utiliser une petite brosse de nettoyage entre les dents et du vinaigre blanc. Tremper la brosse dans le vinaigre, brosser l'orifice, rincer la brosse à l'eau propre, puis utiliser la brosse mouillée et rincée pour rincer l'orifice.
6. Le moteur du souffleur fonctionne mais aucune bulle d'air n'est observée.	A. L'orifice d'entrée du moteur du souffleur est obstrué.	A. Nettoyer l'orifice d'entrée du moteur du souffleur.
	B. Les jets d'air sont bouchés.	B. Utiliser une petite brosse de nettoyage entre les dents et du vinaigre blanc. Tremper la brosse dans le vinaigre, brosser l'orifice, rincer la brosse à l'eau propre, puis utiliser la brosse mouillée et rincée pour rincer l'orifice.
	C. Le clapet de non-retour (certains modèles) ne fonctionne pas.	C. Remplacer le clapet de non-retour.
	D. Le moteur du souffleur ne fonctionne pas.	D. Remplacer le moteur du souffleur.
7. Le moteur du souffleur fonctionne, des bulles d'air sont observées, mais la commande de vitesse ne fonctionne pas.	A. L'orifice d'entrée du moteur du souffleur est obstrué.	A. Nettoyer l'orifice d'entrée du moteur du souffleur.
	B. Le faisceau de câblage est desserré, déconnecté ou endommagé.	B. Inspecter le câblage pour vérifier que les connexions sont adéquates. Remplacer le faisceau de câblage si nécessaire.
	C. Le clavier utilisateur ne fonctionne pas.	C. Remplacer le clavier utilisateur.
	D. Le moteur du souffleur ne fonctionne pas.	D. Remplacer le moteur du souffleur.

<b>Dépannage (cont.)</b>		
<b>Symptômes</b>	<b>Causes probables</b>	<b>Action recommandée</b>
8. Le moteur du souffleur ne s'arrête pas lorsque l'on appuie sur le bouton Marche/Arrêt.	A. Le clavier utilisateur ne fonctionne pas.	A. Remplacer le clavier utilisateur.
	B. Le faisceau de câblage est desserré, déconnecté ou endommagé.	B. Inspecter le câblage pour vérifier que les connexions sont adéquates. Remplacer le faisceau de câblage si nécessaire.
	C. La commande ne fonctionne pas.	C. Remplacer la commande.
9. Le mode de purge ne fonctionne pas.	A. Le clavier utilisateur ne fonctionne pas.	A. Remplacer le clavier utilisateur.
	B. La commande ne fonctionne pas.	B. Remplacer la commande.
10. La baignoire ne se purge pas automatiquement.	A. Le souffleur ne fonctionne pas.	A. Remplacer le souffleur.
<b>Surface chauffée</b>		
<b>Symptômes</b>	<b>Causes probables</b>	<b>Action recommandée</b>
11. La baignoire chauffée ne se met pas en marche.	A. Aucune alimentation pour la source d'alimentation électrique.	A. Armer/réarmer le disjoncteur GFCI ou RCD; inspecter le câblage.
	B. Câble du clavier utilisateur desserré ou endommagé.	B. Vérifier les connexions de fils. Si nécessaire, remplacer le câble du clavier utilisateur.
	C. Le clavier utilisateur ne fonctionne pas.	C. Vérifier les connexions de fils. Remplacer le clavier utilisateur.
	D. L'alimentation électrique ne fonctionne pas.	D. Remplacer l'alimentation électrique.
12. La baignoire est en marche, mais la chaleur est faible ou inexistante.	A. Câble de l'appareil de chauffage desserré ou endommagé.	A. Vérifier les connexions de fils. Si nécessaire, remplacer le câble de l'appareil de chauffage.
	B. Appareil de chauffage/matériau isolant desserré sur la baignoire.	B. Sécuriser l'appareil de chauffage/le matériau isolant sur la baignoire.
	C. L'indicateur de chaleur est jaune ou orange.	C. Appuyer sur la flèche [vers le haut] pour augmenter la température.
	D. L'appareil de chauffage ne fonctionne pas.	D. Remplacer l'appareil de chauffage.
	E. La sonde de température ne fonctionne pas.	E. Remplacer l'appareil de chauffage.
13. La température ne se réinitialise pas automatiquement à une basse température au bout d'une heure.	A. La sonde de température ne fonctionne pas.	A. Remplacer l'appareil de chauffage et/ou le clavier.
14. L'indicateur de chaleur clignote en rouge.	A. Le système de chauffage doit être réinitialisé.	A. Appuyer sur l'icône [Alimentation] pour couper l'alimentation. Attendre 10 secondes, puis remettre l'appareil sous alimentation.
	B. L'appareil de chauffage ne fonctionne pas.	B. Remplacer l'appareil de chauffage.
15. L'indicateur de chaleur clignote en jaune.	A. Le système de chauffage doit être réinitialisé.	A. Appuyer sur l'icône [Alimentation] pour couper l'alimentation. Attendre 10 secondes, puis remettre l'appareil sous alimentation.
	B. La sonde de température ne fonctionne pas.	B. Remplacer l'appareil de chauffage.

# Guía de instalación

Bañera de aeromasaaje caliente  
con superficie de calefacción, autosoportada

# Instrucciones de instalación



**WARNING:** Al usar aparatos eléctricos siempre cumpla las precauciones básicas, como las siguientes:



**WARNING: Riesgo de sacudidas eléctricas.** Conecte todos los componentes a circuitos protegidos con interruptor de circuito con pérdida a tierra (GFCI)\*.

Instale de manera que quede acceso para dar servicio.

El compartimiento de cables incluye un conector a presión marcado "Earth/Ground" (tierra). Para reducir el riesgo de que se produzca una sacudida eléctrica, conecte este conector al terminal de tierra de su tablero eléctrico o al panel de suministro eléctrico con un cable de cobre del tamaño equivalente al conductor del circuito que alimenta este equipo.

En el exterior de la bomba o del control de esta unidad se incluye un conector a presión para permitir la conexión de un conductor equipotencial entre esta unidad y el metal expuesto en las proximidades, tal y como lo requieran las normas locales.

**Se requiere conexión a tierra.** Un representante autorizado de servicio debe instalar esta unidad y conectarla a tierra.



**WARNING: Riesgo de lesiones personales o de daños a la propiedad.** Antes de comenzar la instalación, lea atentamente todas las instrucciones además de los requisitos detallados a continuación.



**WARNING: Riesgo de sacudidas eléctricas.** Un electricista capacitado debe hacer todas las conexiones eléctricas.



**WARNING: Riesgo de sacudidas eléctricas.** Desconecte el suministro eléctrico antes de dar servicio.

**NOTICE: Cumpla todos los códigos locales de electricidad y de plomería.** En Canadá, instale la unidad conforme al Código Eléctrico Canadiense, Parte 1.

\*Fuera de Estados Unidos es posible que este dispositivo se conozca como dispositivo de corriente residual (RCD, por sus siglas en inglés).

## Información sobre el producto

### Requisitos eléctricos



**WARNING: Riesgo de quemaduras, incendio, sacudida eléctrica o lesiones personales.** No haga funcionar la superficie de calefacción si el cable de suministro eléctrico de la caja de empalmes está dañado. Para obtener asesoría sobre la reparación de este producto, llame al: 1-800-4KOHLER desde EE.UU. o Canadá, o al 001-800-456-4537 desde México.

La instalación debe contar con 2 interruptores de circuito con pérdida a tierra (GFCI) Clase A. El interruptor GFCI protege contra el peligro de sacudida eléctrica de línea a tierra. **Utilice un servicio dedicado de 120 V, 15 A y 60 Hz para el motor soplador y la caja de empalmes. Utilice un servicio dedicado de 120 V, 15 A y 60 Hz para el calentador de burbujas.**

Si el cable de suministro eléctrico del motor soplador está dañado, debe ser reemplazado por el fabricante, por su agente de servicio o por personas igualmente capacitadas, para así evitar un peligro.

**Para el kit inalámbrico de música:** El kit requiere la instalación de un tomacorriente cerca de donde se encuentre el amplificador. Consulte las instrucciones de instalación del kit de música.

## Información sobre el producto (cont.)

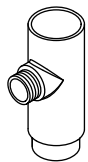
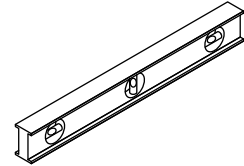
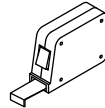
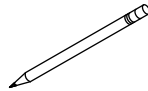
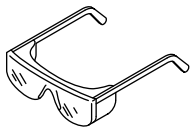
### Avisos sobre el producto

**IMPORTANT!** La presión de funcionamiento recomendada para este sistema va de 35 a 60 psi (241 a 414 kPA).

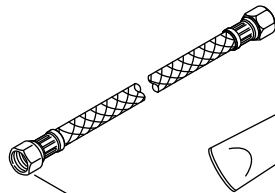
**NOTICE:** Mantenga limpia y sin desperdicios el área alrededor del motor soplador. Asegúrese de que en el área alrededor del motor soplador no haya aserrín, material aislante, suciedad ni otras partículas sueltas pequeñas. Dichos materiales pueden tapan los conductos de aire del motor soplador y reducir el flujo de aire a través del mismo.

**NOTICE:** Este producto tiene un modo de purga automática de agua que enciende el motor soplador durante 2 minutos, aproximadamente 30 minutos después de apagar y vaciar la unidad.

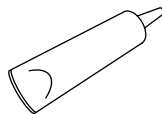
### Herramientas y materiales



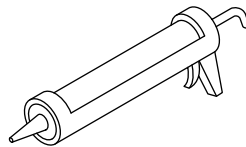
T de latón  
de 1/4" NPT



1/4"



Adhesivo  
de construcción



Sellador 100%  
de silicona

#### Más:

- Lona
- Cuñas
- Maderos de 2x4
- Bloques de madera
- Madera contrachapada de 1/2" (13 mm) para exteriores (para grifería de montaje al reborde)

### Antes de comenzar

**NOTICE:** El piso debe proporcionar el soporte adecuado. Fíjese en el **número de modelo** en el extremo de componentes de la bañera, y luego consulte información adicional en la página del producto kohler.com.

**NOTICE:** No levante la bañera por los tubos ni por el motor soplador, ni los utilice como soporte estructural de la bañera. Para evitar daños a la bañera, levántela por el reborde a los lados de la bañera.

**NOTICE:** Antes de instalar una grifería de bañera de montaje al reborde, consulte la hoja de especificaciones en la página del producto de baño en kohler.com.

**NOTICE:** Provea el soporte adecuado con tablas de refuerzo a las griferías de montaje al reborde; las griferías grandes que puedan ser utilizadas inadvertidamente como medio de soporte no son seguras para esta instalación.

**NOTICE:** Este producto requiere la instalación remota de un motor soplador. Antes de continuar, consulte las instrucciones que se incluyen con el kit de instalación remota del motor soplador.

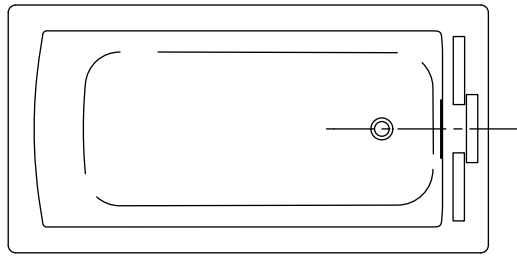
**NOTICE: Para el kit inalámbrico de música:** Consulte detalles de cableado y de instalación en las instrucciones que se incluyen con el kit de música.

**IMPORTANT!** Para asegurar que la instalación sea exitosa, el piso donde se instale la bañera debe estar acabado y nivelado.

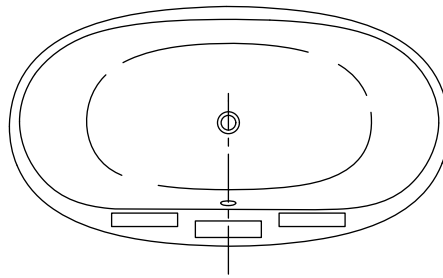
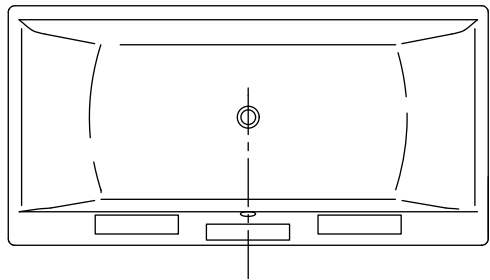
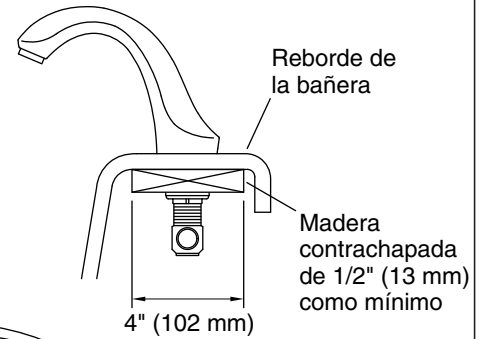
□ Cumpla todos los códigos locales de plomería y de construcción.

### **Antes de comenzar (cont.)**

- Saque de su embalaje la bañera y sus componentes, y verifique que no estén dañados. Vuelva a colocar la bañera y los componentes en la caja hasta el momento de instalación.
- Para simplificar el mantenimiento en el futuro, asegúrese de que todas las conexiones de plomería y del tablero de control de la bañera queden fácilmente accesibles.
- Utilice tubo conduit para tender los cables eléctricos desde el interruptor de circuito.
- Planee con cuidado cómo mover la bañera al área de instalación. Esta bañera no cabe fácilmente a través de los marcos de las puertas.
- Se necesitan dos personas para instalar este producto.
- Esta bañera está diseñada solamente para instalación autosoportada.
- Si va a instalar una grifería de montaje al reborde, antes de taladrar los orificios verifique que no haya interferencias sobre o abajo del reborde.
- Es posible que las ilustraciones no muestren el producto exacto que usted adquirió, pero sí corresponden a esta instalación.
- Esta bañera satisface la norma CSA B45.5/IAPMO Z124. Todas las dimensiones son nominales.



▭ Ubicación recomendada para la grifería (Vea las dimensiones en la hoja de especificaciones)



## 1. Prepare la grifería de montaje al reborde (opcional)

**NOTICE:** Antes de instalar una grifería de bañera de montaje al reborde, consulte las dimensiones de la ubicación para la grifería de su modelo en la hoja de especificaciones en la página del producto de baño en kohler.com.

**NOTICE:** Para adaptarse a la carcasa de la bañera, use conexiones flexibles para unir los suministros de agua a la grifería de montaje al reborde.

**NOTICE:** En instalaciones de griferías de montaje al reborde, tienda las líneas de suministro de agua lo suficientemente altas para permitir acceso para hacer las conexiones finales desde arriba de la carcasa.

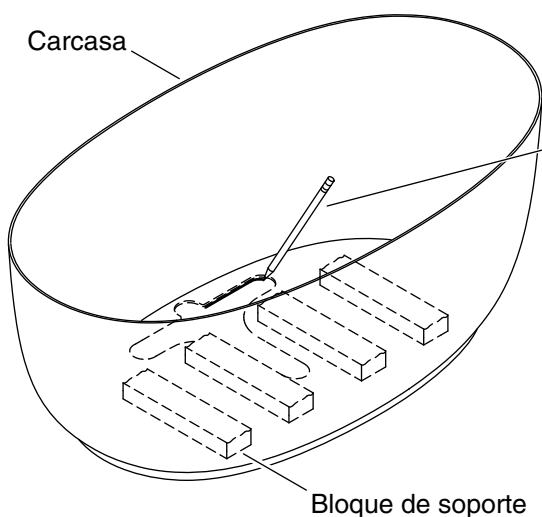
- Consulte la hoja de especificaciones en la página del producto de baño en kohler.com para determinar la ubicación recomendada para la grifería y el modelo de desagüe de su bañera.
- Mida y corte un trozo de madera contrachapada para exteriores de 1/2" (13 mm) como soporte de la grifería. La tabla debe medir 4" (102 mm) de ancho. La longitud de la tabla debe sobrepasar el ancho entre los orificios para la grifería, para asegurar el soporte adecuado.
- Coloque la grifería en el lugar deseado en el reborde de la bañera. Asegúrese de que la guarnición de la grifería se ajuste al reborde de la bañera sin sobresalir. Antes de taladrar los orificios verifique que no haya interferencias sobre o abajo del reborde.
- Para determinar el tamaño de los orificios para la grifería, consulte las instrucciones de instalación que se incluyen con la grifería.
- Marque con un lápiz las líneas centrales de los orificios para la grifería. Todavía no taladre los orificios.

**CAUTION: Riesgo de daños al producto.** Para evitar maltratar la bañera, coloque un trozo delgado de cartón bajo las mordazas antes de apretarlas.

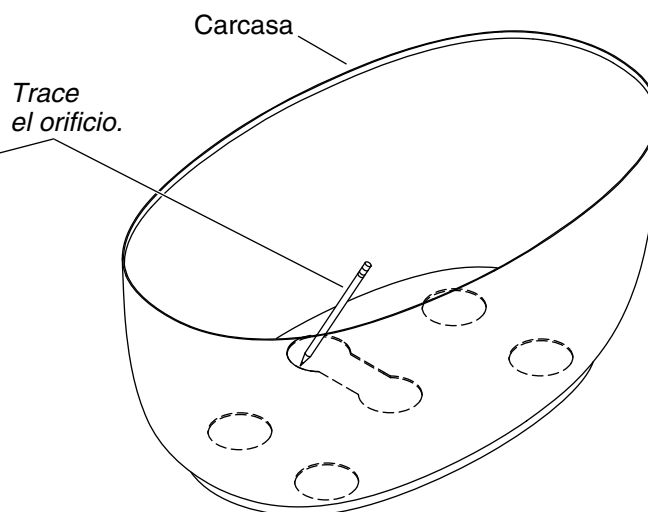
- En la cara inferior del reborde coloque la madera contrachapada, y fíjela con mordazas en su lugar. Asegúrese de que las mordazas no queden en contacto directo con la superficie acabada de la bañera.
- Con cuidado taladre los orificios para la grifería.
- Instale la válvula de acuerdo a las instrucciones de instalación incluidas con la misma. **No** instale la guarnición de la grifería mientras no se le indique.



### Modelos con bloques de soporte



### El resto de los modelos



## 2. Prepare el sitio

**NOTICE:** Mida su producto para preparar el lugar. Fíjese en el **número de modelo** en el extremo de componentes de la bañera, y luego consulte información adicional en la página del producto en kohler.com.

**NOTICE:** Para cambiar la ubicación del motor soplador, hay disponible un kit de instalación remota del motor soplador K-1446. Antes de continuar, consulte las instrucciones de instalación que se incluyen con el kit de instalación remota del motor soplador.

**NOTICE:** No intente retirar el material de fundición endurecido que cubre los bloques. Se necesita material de fundición para colocar e instalar correctamente la bañera.

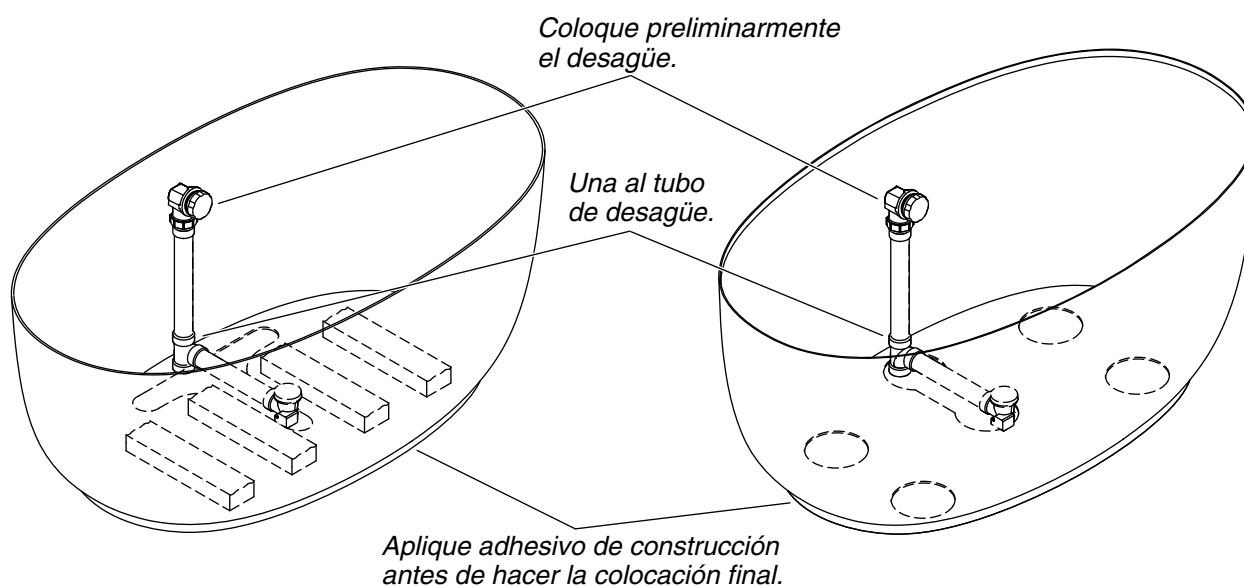
**IMPORTANT!** Para asegurar que la instalación sea exitosa, el piso donde se instale la bañera debe estar acabado y nivelado.

**IMPORTANT!** Verifique que el subpiso ofrezca el soporte adecuado para la bañera.

- Coloque temporalmente la bañera y la carcasa en el lugar de instalación.
- Si corresponde, retire y deseche la delgada película plástica que cubre los bloques de soporte.
- Verifique que la **bañera** esté nivelada. Si es necesario, coloque cuñas bajo la carcasa, y fije las cuñas al piso.
- Si mover la carcasa, levante y retire la bañera de la carcasa.
- Use el recorte en el área del desagüe en la carcasa para trazar el área del orificio de desagüe en el piso.
- Retire la carcasa y colóquela a un lado.
- Consulte los requisitos de espacio libre para el desagüe en la hoja de especificaciones en la página del producto de baño en kohler.com, y corte el espacio libre adecuado en el piso.
- Consulte los detalles de altura del desagüe en la hoja de especificaciones en la página del producto de baño en kohler.com. Coloque e instale un tubo de desagüe estándar de PVC o de latón para bañera a la altura correcta.

### Modelos con bloques de soporte

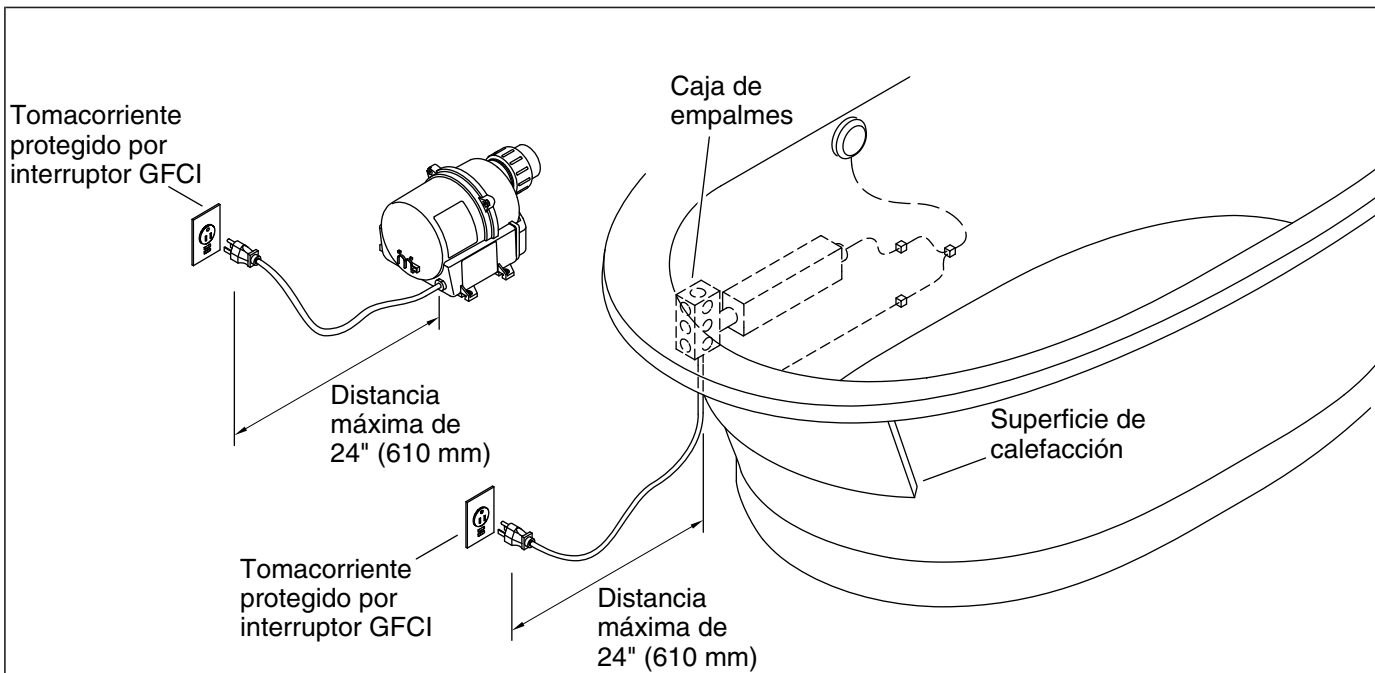
### El resto de los modelos



## 3. Prepare la bañera

**NOTICE:** Consulte las instrucciones del desagüe para colocarlo preliminarmente a la bañera. **No cimente ni termine la instalación del desagüe antes de que se le indique hacerlo.**

- Coloque preliminarmente el ensamblaje del desagüe a la bañera. Consulte las instrucciones para el desagüe. **No aplique sellador ni cemento** a los componentes del desagüe en este momento.
- Afloje las conexiones del desagüe y del rebosadero de la bañera, y retire el ensamblaje del desagüe de la bañera.
- Coloque preliminarmente el ensamblaje del desagüe al tubo de desagüe, que ya ha sido cortado a la altura correcta.
- Coloque temporalmente la carcasa en su lugar sobre el ensamblaje del desagüe.
- Obtenga ayuda para levantar temporalmente la bañera en su lugar en la carcasa. Asegúrese de que el reborde de la bañera quede completamente asentado sobre la carcasa para que encajen las guías de alineación.
- Verifique que las conexiones del desagüe y del rebosadero queden bien alineadas con los orificios del desagüe y del rebosadero en la bañera. Mida y registre todos los ajustes necesarios a la longitud de los tubos de desagüe o de rebosadero.
- Retire la bañera y la carcasa, pero deje el ensamblaje del desagüe y rebosadero conectado al tubo de desagüe.
- Ajuste la longitud de los tubos de desagüe lo que sea necesario para asegurar la alineación del desagüe con los orificios del desagüe y del rebosadero en la bañera.
- Repita estos pasos de ajuste del desagüe hasta que las conexiones del desagüe y del rebosadero queden alineadas a los orificios del desagüe y del rebosadero en la bañera.
- Cemente y ensamble los componentes del desagüe y del rebosadero. Conecte la T de desagüe al tubo de desagüe.
- Aplique sellador 100 % de silicona a ambos lados de los empaques del desagüe y del rebosadero.
- Aplique adhesivo de construcción de secado lento al fondo de la carcasa.
- Coloque con cuidado la carcasa sobre el desagüe de manera que el orificio quede alineado con la marca que trazó en el piso.



#### 4. Haga las conexiones eléctricas



**DANGER: Riesgo de sacudidas eléctricas.** Conecte la caja de empalmes, el motor soplador y el calentador de burbujas a tomacorrientes con buena conexión a tierra con protección mediante interruptores de circuito con pérdida a tierra (GFCI)\*. No retire las clavijas de conexión a tierra de los enchufes. No utilice adaptadores de conexión a tierra.



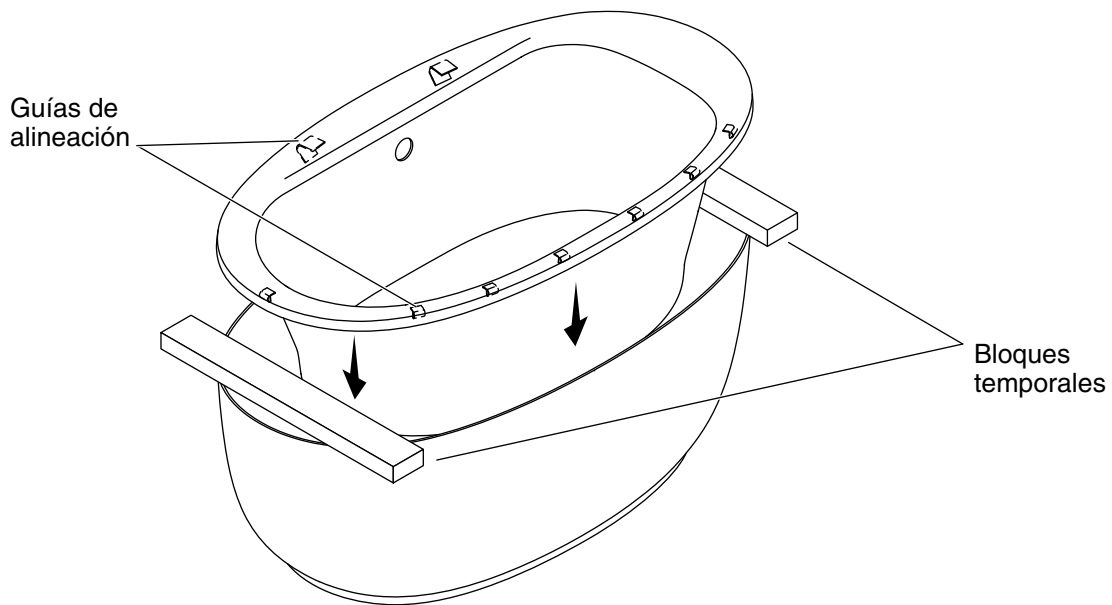
**WARNING: Riesgo de sacudidas eléctricas.** Asegúrese de desconectar la corriente eléctrica antes de realizar los siguientes procedimientos.

**NOTICE:** Este producto requiere la instalación remota de un motor soplador. Consulte las instrucciones que se incluyen con el kit de instalación remota del motor soplador.

**NOTICE:** El motor soplador, la caja de empalmes y el calentador de burbujas están equipados con cables y enchufes. Un electricista calificado debe instalar 3 tomacorrientes conectados a tierra, de 120 V, 15 A y protegidos por interruptores de circuito con pérdida a tierra (GFCI)\*. El motor soplador y la caja de empalmes pueden compartir el mismo circuito dedicado (circuito #1), pero no debe haber ninguna otra carga en este circuito. El calentador de burbujas debe estar en su propio circuito dedicado (circuito #2). Este circuito no debe tener ninguna otra carga.

- **Para el kit inalámbrico de música:** El kit requiere la instalación de un tomacorriente cerca de donde se encuentre el amplificador. Consulte las instrucciones de instalación del kit de música.
- Instale 3 tomacorrientes al alcance de los cables eléctricos de 24" (610 mm).
- Enchufe el cable del motor soplador en el tomacorriente del circuito #1.
- Enchufe el cable de la caja de empalmes en el otro tomacorriente en el circuito #1.

\*Fuera de Estados Unidos es posible que este dispositivo se conozca como dispositivo de corriente residual (RCD, por sus siglas en inglés).

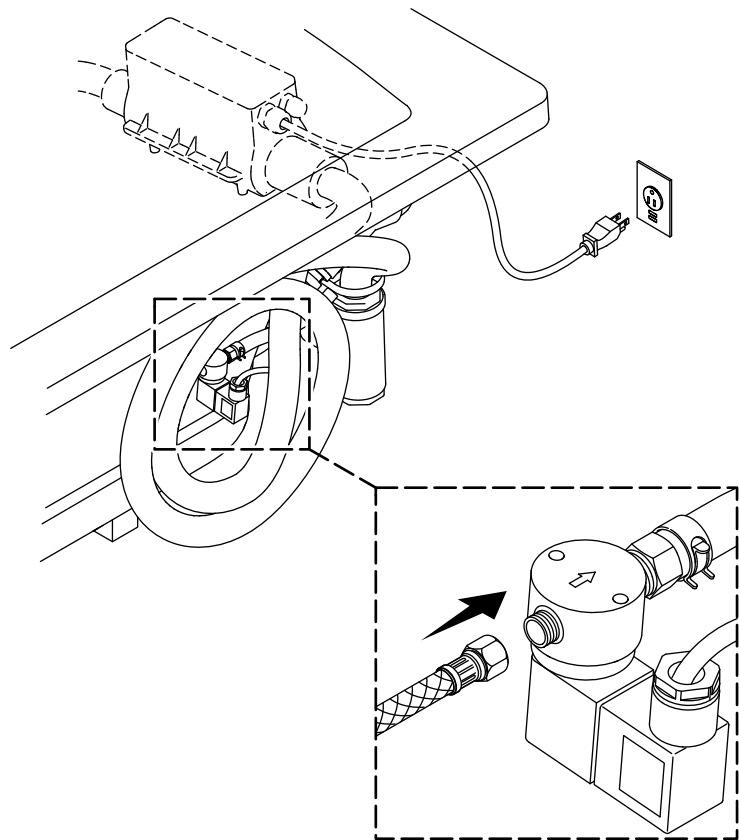
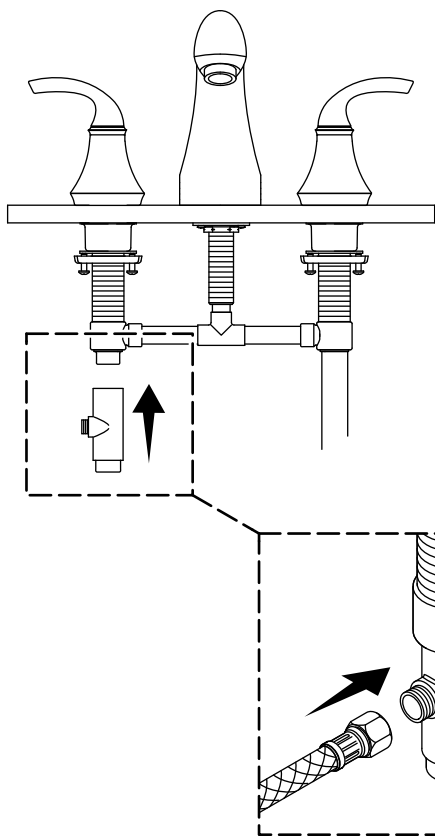


## 5. Instale la bañera

**NOTICE:** No levante la bañera por los tubos ni por el motor soplador, ni los utilice como soporte estructural de la bañera. Para evitar daños a la bañera, levántela por el reborde a los lados de la bañera.

**NOTE:** Para que haya acceso para fijar las conexiones, coloque temporalmente bloques espaciadores en las esquinas opuestas entre la carcasa y el reborde de la bañera. Coloque los bloques de manera que se evite dañar las guías de alineación que están bajo el reborde de la bañera. El tipo de guías de alineación puede variar de acuerdo al producto.

- Obtenga ayuda para levantar con cuidado la bañera sobre la carcasa y sobre los bloques temporales.
- **Para el kit inalámbrico de música:** Consulte detalles de cableado y de instalación en las instrucciones que se incluyen con el kit de música, y haga las conexiones eléctricas finales.
- Instale todas las conexiones y los adaptadores del desagüe de acuerdo a las instrucciones del desagüe.
- En una grifería de montaje al reborde, instale la grifería y su guarnición de acuerdo a las instrucciones de la grifería y de la guarnición. Asegúrese de que haya el soporte adecuado bajo el reborde de la bañera para soportar la grifería. Consulte la sección "Prepare la grifería de montaje al reborde (opcional)".



## 6. Conecte el calentador de burbujas

- Instale el conector en T en la válvula de agua caliente en la grifería de la bañera.
- Enrosque la manguera de suministro en el puerto de 1/4" NPT del conector en T.
- Enrosque el lado opuesto de la manguera de suministro en el puerto de 1/4" NPT de la válvula de solenoide. ¡No doble las mangueras!
- Enchufe el cable del calentador de burbujas en el tomacorriente restante, o circuito #2.

## 7. Termine de hacer la instalación

- Con cuidado retire los bloques y asegúrese de que el reborde de la bañera encaje con la parte superior de la carcasa en todos los lados. Asegúrese de que **todas** las guías de alineación estén dentro de la carcasa; no debe haber espacio entre la bañera y la carcasa.
- Instale la brida del desagüe y la cubierta del rebosadero de acuerdo a las instrucciones del desagüe.
- Cierre el desagüe de la bañera. Llene la bañera hasta el rebosadero, y verifique que no haya fugas.
- Si lo desea, aplique un hilo continuo y delgado de sellador 100 % de silicona transparente o del mismo color que la bañera en la unión entre la carcasa y el piso acabado.

### Pruebe el funcionamiento de la bañera

- Revise todas las conexiones eléctricas y asegúrese de que la bañera esté conectada al suministro eléctrico.
- Haga funcionar el teclado del usuario para probar los niveles de temperatura.
- Llene la bañera a un nivel por lo menos 4" (102 mm) arriba del jet de aire más alto.
- Ponga en funcionamiento la bañera durante 5 minutos y pruebe los jets de aire.

## Termine de hacer la instalación (cont.)

- Para obtener información adicional sobre el funcionamiento de la bañera y de la superficie de calefacción, consulte las secciones "Funcionamiento del sistema de aire" y "Funcionamiento de la superficie de calefacción".

# Instrucciones importantes de seguridad

## LEA Y SIGA TODAS LAS INSTRUCCIONES

## GUARDE ESTAS INSTRUCCIONES

### INSTRUCCIONES RELATIVAS A LOS RIESGOS DE INCENDIO, SACUDIDA ELÉCTRICA O LESIONES PERSONALES



**WARNING:** Al usar aparatos eléctricos siempre cumpla las precauciones básicas, como las siguientes:



**DANGER:** Riesgo de lesiones personales o ahogamiento. Para reducir el riesgo de lesiones, no permita que los niños usen este producto sin supervisión estricta en todo momento.



**WARNING:** Riesgo de lesiones personales. Para evitar lesiones, tenga cuidado al entrar y al salir de la bañera.



**WARNING:** Riesgo de sacudidas eléctricas. No coloque aparatos eléctricos (como secador de pelo, lámparas, teléfono, radio o televisión) a menos de 5 pies (1,5 m) de esta bañera.



**WARNING:** El uso de alcohol, drogas o medicamentos puede aumentar enormemente el riesgo de sufrir hipertermia fatal. La inmersión prolongada en agua caliente puede producir hipertermia. Ocurre hipertermia cuando la temperatura interna del cuerpo alcanza un nivel varios grados más arriba de la temperatura corporal normal de 98,6°F (37°C). Los síntomas de hipertermia incluyen aumento de temperatura corporal interna, mareos, letargo, somnolencia y desfallecimiento. Los efectos de hipertermia incluyen: (a) incapacidad para percibir calor, (b) incapacidad para reconocer la necesidad de salir de la bañera, (c) inconsciencia de un peligro inminente, (d) daño al feto en mujeres embarazadas, (e) inhabilidad física para salir de la bañera y (f) pérdida del conocimiento con peligro de ahogarse.



**WARNING:** Riesgo de lesiones mortales. Las mujeres embarazadas o que posiblemente estén embarazadas deben consultar a un médico antes de usar la bañera.



**WARNING:** Riesgo de hipertermia o ahogamiento. No utilice la bañera inmediatamente después de hacer ejercicio.



**WARNING:** Riesgo de hipertermia o ahogamiento. La temperatura del agua superior a 100°F (38°C) puede causar lesiones. Pruebe y ajuste la temperatura del agua antes de usar la bañera.



**WARNING:** Riesgo de lesiones personales. No deje caer ni introduzca objetos en ninguna de las aberturas.

Use esta bañera únicamente con el fin para el que ha sido fabricada, tal como se explica en esta guía. No use equipos adicionales que no recomiende Kohler Co.

La bañera se debe conectar a un circuito protegido con un interruptor de circuito con pérdida a tierra (GFCI)\*. El instalador debe suministrar dicho interruptor GFCI, cuyo funcionamiento debe probarse en forma rutinaria. Para probar el GFCI, oprima el botón de prueba. El GFCI debe interrumpir el suministro eléctrico. Oprima el botón de restablecer (Reset). Esto debe restablecer el suministro eléctrico. Si el GFCI no funciona de esta manera, significa que está averiado. Si el GFCI interrumpe el suministro eléctrico a la bañera sin que se haya activado el botón de prueba, significa que fluye corriente a tierra, lo que indica la posibilidad de una

### **Instrucciones importantes de seguridad (cont.)**

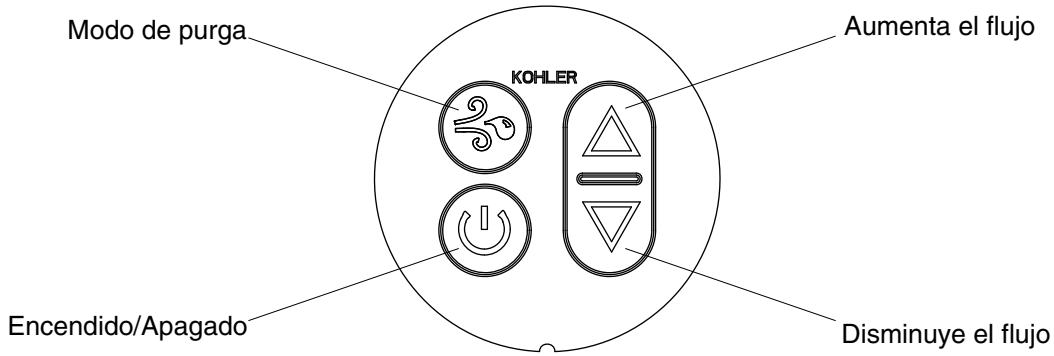
sacudida eléctrica. No utilice esta bañera. Desconecte la bañera y solicite que un representante de servicio autorizado solucione el problema.

Limpie el sistema de hidromasaje dos o más veces al mes, de acuerdo al uso, tal como se describe en la sección "Haga circular agua para limpiar el sistema" de esta guía.

El uso constante de productos de higiene personal que contengan aceites puede dañar los componentes plásticos de la bañera de hidromasaje. Evite el uso de aceites de baño.

La acción del hidromasaje puede hacer que una pequeña cantidad de líquidos para hacer burbujas, champú, jabón o aceite de baño, espume en exceso. Por esta razón, no utilice estos productos durante el funcionamiento de la bañera de hidromasaje.

\*Fuera de Estados Unidos es posible que este dispositivo se conozca como dispositivo de corriente residual (RCD, por sus siglas en inglés).



## Funcionamiento del sistema de aire

**IMPORTANT!** Este producto tiene un modo de purga automática de agua que enciende el motor soplador durante 2 minutos, aproximadamente 30 minutos después de apagar y vaciar la unidad.

**NOTE:** La temperatura del agua en la bañera nunca debe exceder 104°F (40°C).

- Cierre el desagüe, luego llene la bañera por lo menos 4" (102 mm) arriba del jet más alto.
- Pruebe la temperatura del agua con la mano para asegurar que sea cómoda y segura, y luego entre con cuidado a la bañera.
- Oprima el icono [Encendido/Apagado] para encender el motor soplador a una velocidad media.
- Oprima los iconos de flecha hacia [Arriba] o [Abajo] para aumentar o disminuir el flujo de aire.

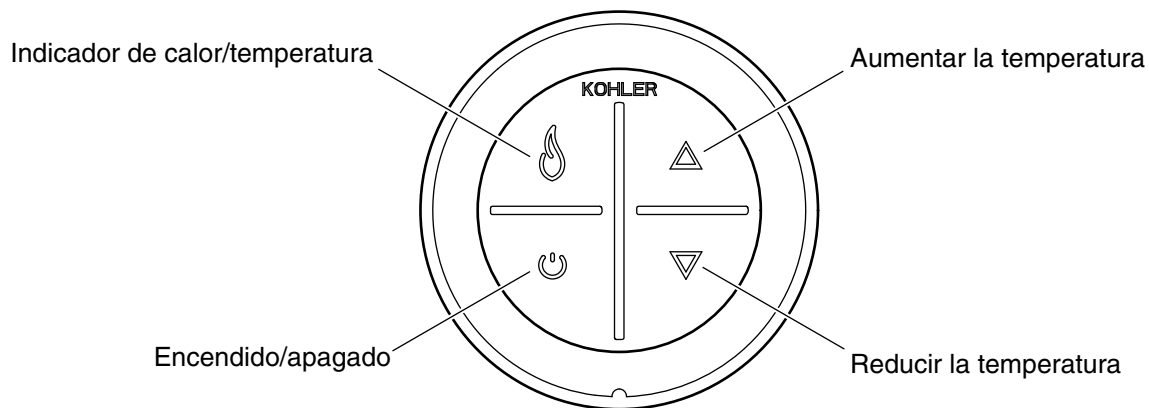
**NOTE:** El motor soplador se apaga automáticamente después de 20 minutos de funcionamiento y, si se desea, es posible volver a encenderlo de inmediato.

- Vuelva a oprimir el icono [Encendido/Apagado] por segunda vez para apagar el motor soplador.
- Salga con cuidado y vacíe la bañera.
- Oprima el icono [Modo de purga] para soplar el agua restante de los canales de aire. El motor soplador se enciende durante 2 minutos, y luego se apaga automáticamente.

**NOTE:** Aproximadamente 30 minutos después de apagado el motor soplador, se enciende automáticamente un modo de purga de 2 minutos.

**NOTE:** Si la bañera no funciona correctamente, consulte la sección "Guía para resolver problemas".





## Funcionamiento de la superficie de calefacción

### Funcionamiento del teclado

- **Icono de encendido** - Enciende y apaga el calentador.
- **Indicador de calor/temperatura** - El icono [Flama] se ilumina en amarillo, anaranjado o rojo de acuerdo al nivel de calor. Amarillo indica calor bajo, anaranjado indica calor medio, y rojo indica calor alto.
- **Flecha hacia arriba** - Aumenta la temperatura.
- **Flecha hacia abajo** - Disminuye la temperatura.

**NOTICE:** El calentador permanece encendido mientras no se apague manualmente al presionar el icono [Encendido].

**NOTE:** Después de 60 minutos de inactividad, el calentador se restablece automáticamente a calor bajo si la temperatura se encontraba en la selección de temperatura media o alta.

**NOTE:** El calentador se enciende a la última selección de temperatura.

### Códigos de error

- **El indicador de calor parpadea en rojo** - El calentador no está funcionando.
- **El indicador de calor parpadea en amarillo** - El sensor de temperatura no está funcionando o está suelto.
- Consulte la sección "Guía para resolver problemas" para solucionar problemas.

### Confirme el funcionamiento del sistema de calefacción

- Oprima el icono [Encendido] en el teclado del usuario.
- Observe que el indicador de calor se ilumine en amarillo y que el calentador produzca calor a baja temperatura.
- Oprima la flecha [Hacia arriba]. Verifique que el indicador de calor se ilumine en anaranjado y que aumente la temperatura.
- Oprima la flecha [Hacia arriba] por segunda vez. Verifique que el indicador de calor se ilumine en rojo y que aumente la temperatura.
- Oprima la flecha [Hacia abajo]. Verifique que el indicador de calor se ilumine en anaranjado y que disminuya la temperatura.

## Funcionamiento de la superficie de calefacción (cont.)

- Oprima la flecha [Hacia abajo] por segunda vez. Verifique que el indicador de calor se ilumine en amarillo y que disminuya la temperatura.
- Oprima el icono [Encendido] para apagar el calentador.

## Cuidado y limpieza

- **No utilice productos de limpieza en polvo, a menos que estén completamente disueltos en agua.** Las sustancias sólidas podrían obstruir los jets de aire.
- **No utilice soluciones de limpieza concentradas que contengan blanqueador o amoníaco.** Las soluciones de limpieza activas químicamente pueden dañar la superficie de la bañera.
- **No utilice disolventes ni limpiadores abrasivos en las superficies de acrílico.** Los disolventes y los productos de limpieza abrasivos pueden dañar la superficie de la bañera.
- Limpie su bañera acrílica con un paño suave después de cada uso.
- Evite el uso de detergentes, desinfectantes o productos de limpieza en aerosol.

**NOTE:** Para restaurar las unidades opacas o rayadas: Aplique un compuesto de pulir blanco para autos con un trapo limpio. Frote enérgicamente las áreas rayadas y opacas. Limpie los residuos. A continuación aplique una capa de cera en pasta blanca para autos. No aplique cera en las zonas donde se camina o donde se está de pie.

### Limpieza del teclado del usuario y del control remoto

- Utilice un paño suave para limpiar el teclado y el control remoto después de cada uso. Si la superficie se ensucia, limpie con un jabón no abrasivo y agua tibia.

### Mantenimiento de los jets de aire

- Si es necesario limpiar los jets de aire debido a depósitos de agua dura, utilice un cepillo interdental pequeño y vinagre blanco. Sumerja el cepillo en el vinagre, cepille el orificio, enjuague el cepillo en agua limpia y luego utilice el cepillo enjuagado para enjuagar el orificio.
- Llene la bañera de agua hasta la fila superior de jets de aire. Drene la bañera y oprima el botón de purga.

Para obtener información detallada de limpieza y de productos a considerar, visite [www.kohler.com/clean](http://www.kohler.com/clean). Para solicitar información sobre cuidado y limpieza, llame al 1-800-456-4537.

## Resolución de problemas

**NOTICE:** El propósito de esta sección es solo ayuda general. Todos los problemas eléctricos deben ser resueltos por un representante de servicio autorizado de Kohler Co. o un electricista capacitado. Para obtener servicio de garantía, llame al 1-800-4KOHLER desde EE.UU. y Canadá, o al 001-800-456-4537 desde México.

Para consultar información sobre piezas de repuesto, visite la página de su producto en [kohler.com/serviceparts](http://kohler.com/serviceparts).

### Sistema de bañera de aeromasaaje

Síntomas	Causas probables	Acción recomendada
1. El motor soplador se enciende por sí mismo después de haber vaciado la bañera.	A. Funcionamiento normal. El modo de purga automática está funcionando según se diseñó.	A. No se requiere acción alguna. El modo de purga automática funciona durante 2 minutos, 30 minutos después de haber vaciado la bañera.

## Resolución de problemas (cont.)

Síntomas	Causas probables	Acción recomendada
2. El motor soplador se apaga por sí mismo después de haber funcionado durante 2 minutos.	A. Se oprimió el icono de modo de purga en vez del icono de encendido/apagado.	A. Oprima el icono de encendido/apagado en el teclado. Consulte la sección de instrucciones de funcionamiento de la bañera de aeromasaaje.
3. El motor soplador no se enciende.	A. El cable de suministro eléctrico del motor soplador está suelto, desconectado o dañado.	A. Revise que los cables estén correctamente conectados.
	B. El cable para el teclado está suelto o dañado.	B. Revise las conexiones de los cables. De ser necesario, cambie el cable del teclado del usuario.
	C. El teclado del usuario no funciona.	C. Cambie el teclado del usuario.
	D. El motor soplador no funciona.	D. Cambie el motor soplador.
4. El motor soplador deja de funcionar y no se enciende de inmediato.	A. El motor soplador se ha sobrecalentado y se ha activado el dispositivo de protección.	A. Verifique que no haya obstrucciones en la entrada de aire del motor soplador. Elimine la obstrucción y deje enfriar el motor.
5. El motor soplador arranca, pero no todos los jets de aire funcionan.	A. La velocidad del motor soplador es demasiado baja.	A. Aumente la velocidad.
	B. La entrada del motor soplador está obstruida.	B. Limpie la entrada del motor soplador.
	C. El motor soplador no funciona.	C. Cambie el motor soplador.
	D. La descarga del motor soplador está obstruida.	D. Elimine la obstrucción.
	E. La válvula de retención (algunos modelos) no funciona.	E. Cambie la válvula de retención.
	F. Hay jets de aire tapados.	F. Utilice un cepillo interdental pequeño y vinagre blanco. Sumerja el cepillo en el vinagre, cepille el orificio, enjuague el cepillo en agua limpia y luego utilice el cepillo enjuagado para enjuagar el orificio.
6. El motor soplador funciona, pero no se observan burbujas de aire.	A. La entrada del motor soplador está obstruida.	A. Limpie la entrada del motor soplador.
	B. Hay jets de aire tapados.	B. Utilice un cepillo interdental pequeño y vinagre blanco. Sumerja el cepillo en el vinagre, cepille el orificio, enjuague el cepillo en agua limpia y luego utilice el cepillo enjuagado para enjuagar el orificio.
	C. La válvula de retención (algunos modelos) no funciona.	C. Cambie la válvula de retención.
	D. El motor soplador no funciona.	D. Cambie el motor soplador.
7. El motor soplador funciona, se observan burbujas de aire, pero la función de velocidad no funciona.	A. La entrada del motor soplador está obstruida.	A. Limpie la entrada del motor soplador.
	B. El arnés de cableado está suelto, desconectado o dañado.	B. Revise que los cables estén correctamente conectados. Si es necesario, cambie el arnés de cableado.
	C. El teclado del usuario no funciona.	C. Cambie el teclado del usuario.
	D. El motor soplador no funciona.	D. Cambie el motor soplador.

## Resolución de problemas (cont.)

Síntomas	Causas probables	Acción recomendada
8. El motor soplador no se apaga cuando se oprime el botón de encendido/apagado.	A. El teclado del usuario no funciona.	A. Cambie el teclado del usuario.
	B. El arnés de cableado está suelto, desconectado o dañado.	B. Revise que los cables estén correctamente conectados. Si es necesario, cambie el arnés de cableado.
	C. El control no funciona.	C. Cambie el control.
9. El modo de purga no funciona.	A. El teclado del usuario no funciona.	A. Cambie el teclado del usuario.
	B. El control no funciona.	B. Cambie el control.
10. La bañera no se purga automáticamente.	A. El motor soplador no funciona.	A. Cambie las pilas.
<b>Superficie de calefacción</b>		
Síntomas	Causas probables	Acción recomendada
11. La bañera con calefacción no se enciende.	A. La fuente de suministro eléctrico no recibe alimentación.	A. Establezca o restablezca el interruptor GFCI o RCD; revise el cableado.
	B. El cable para el teclado del usuario está suelto o dañado.	B. Revise las conexiones de los cables. De ser necesario, cambie el cable del teclado del usuario.
	C. El teclado del usuario no funciona.	C. Revise las conexiones de los cables. Cambie el teclado del usuario.
	D. La fuente de suministro eléctrico no funciona.	D. Cambie la fuente de suministro eléctrico.
12. La bañera está encendida, pero el calor es muy poco o no calienta.	A. El cable del calentador está suelto o dañado.	A. Revise las conexiones de los cables. De ser necesario, cambie el cable del calentador.
	B. El calentador o el aislamiento está suelto en la bañera.	B. Fije el calentador/aislamiento a la bañera.
	C. El indicador de calor está amarillo o anaranjado.	C. Oprima la flecha [Hacia arriba] para aumentar la temperatura.
	D. El calentador no funciona.	D. Cambie el calentador.
	E. El sensor de temperatura no funciona.	E. Cambie el calentador.
13. La temperatura no se restablece automáticamente a nivel bajo después de 1 hora.	A. El sensor de temperatura no funciona.	A. Cambie el calentador y/o el teclado.
14. El indicador de calor parpadea en rojo.	A. Es necesario restablecer el sistema de calefacción.	A. Oprima el icono [Encendido] para apagar la alimentación eléctrica. Espere 10 segundos, luego vuelva a encender.
	B. El calentador no funciona.	B. Cambie el calentador.
15. El indicador de calor parpadea en amarillo.	A. Es necesario restablecer el sistema de calefacción.	A. Oprima el icono [Encendido] para apagar la alimentación eléctrica. Espere 10 segundos, luego vuelva a encender.
	B. El sensor de temperatura no funciona.	B. Cambie el calentador.







USA/Canada: 1-800-4KOHLER

México: 001-800-456-4537

[kohler.com](http://kohler.com)

THE BOLD LOOK  
OF **KOHLER**®

©2019 Kohler Co.

1385104-2-A