



Green Drain™

Waterless Trap Seal for Floor Drains

SPECIFICATION SUBMITTAL SHEET

Green Drain: Waterless Trap Seal for Floor Drains

Job Name: _____
 Job Location: _____
 Engineer: _____
 Approval: _____

Contractor: _____
 Approval: _____
 Contractor's PO#: _____
 Representative: _____

Function:

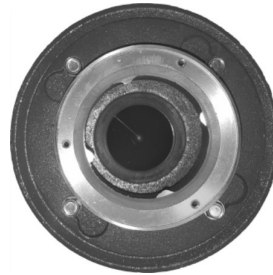
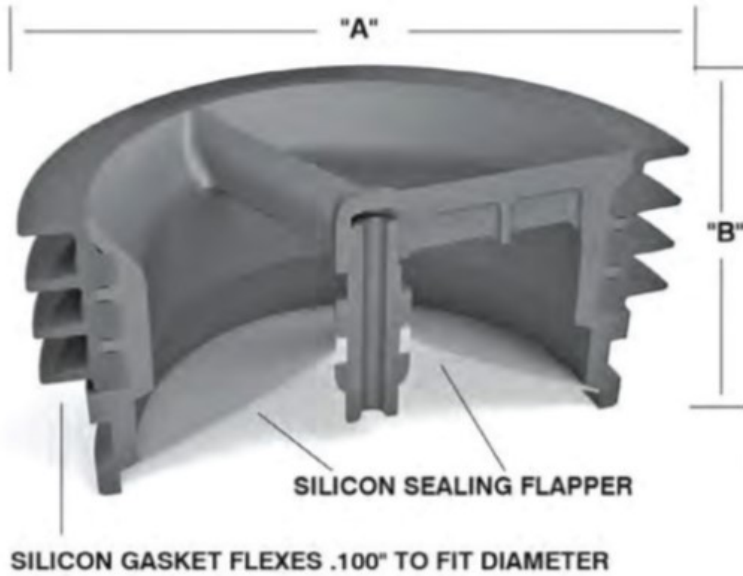
Used in the outlet connections of floor drain bodies, or the inside of floor drain strainers to seal the opening to prevent odors, sewer gases, and insects from entering up through the floor drain grate. The Green Drain's four flexible silicon sealing ribs ensure easy installation into openings that have variations in size. The Green Drain will open to allow drainage and close when there is no water flow. The Green Drain can be used in either new construction or retro-fit applications where trap primers were never installed.

Specifications

- Series of inline trap seals including 2, 3, 3.5 and 4"
- UV resistant ABS plastic frame
- Silicon rubber sealing flapper
- Four flexible sealing ribs
- Complies with ASSE 1072



U.S. Patent 7,900,288



BOTTOM OF BODY



TOP OF STRAINER

✓ Product Code	Model	"A"	"B"	Flow Rate	
		Pipe Size Inch (mm)	Height Inch (mm)	GPM	L/M
69020	GD102	2" (51)	2" (51)	12.0	45.4
69030	GD103	3" (76)	2" (51)	34.0	128.7
69035	GD1035	3 1/2" (89)	2" (51)	51.0	193.0
69040	GD104	4" (102)	2" (51)	73.0	276.3

