



**COMMERCIAL GAS SERVICE PARTS LIST**

A.O. Smith Water Heater Parts Fulfillment  
125 Southeast Parkway • Franklin, TN 37068  
www.hotwater.com • 1-800-433-2545

**MODELS:**  
BTH 120(A)  
BTH 150(A)  
BTH 199(A)  
BTH 250(A)  
**Series:**  
300/301

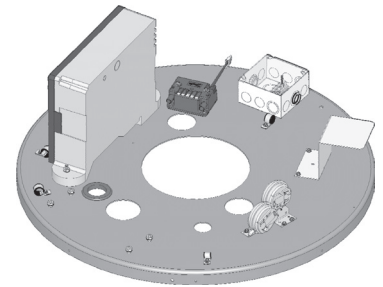
**DISPLAY CONTROL ASSEMBLY**  
See Page 2



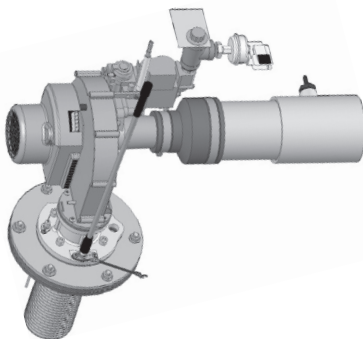
**BTH CYCLONE MXi - MODEL BTH-120(A)-250(A)**  
See Page 2



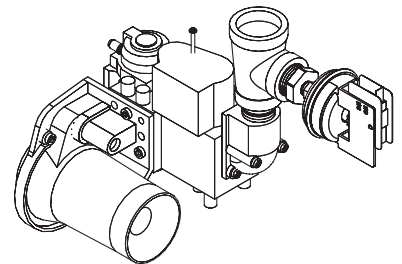
**INNER COVER CONTROL ASSEMBLY**  
See Page 3



**BLOWER/BURNER ASSEMBLY**  
See Page 4

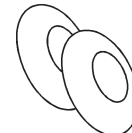
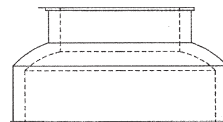
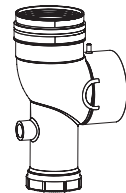
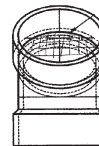
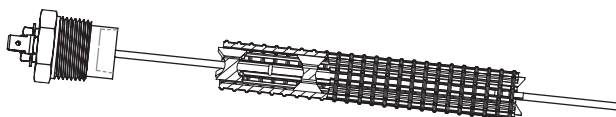


**GAS VALVE(S)**  
See Page 4



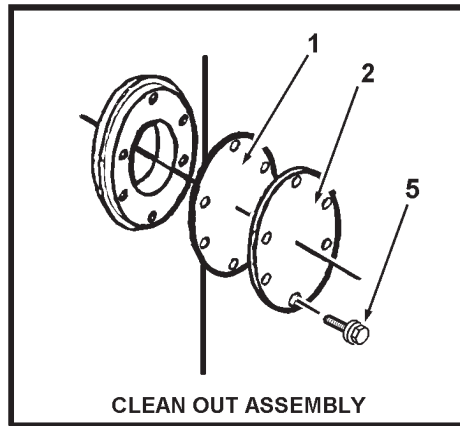
**EXHAUST ELBOW ASSEMBLY - VENT KIT ASSEMBLY**  
See Page 5 & 6

**POWERED ANODE**  
See Page 3



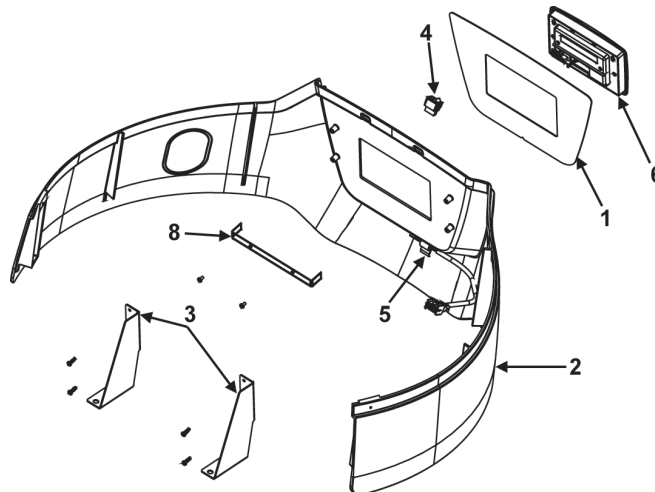
## CLEANOUT ASSEMBLY / TEMPERATURE & PRESSURE VALVE

| Item | Description                   | BTH 120(A)       | BTH 150(A)       | BTH 199(A)       | BTH 250(A)       |
|------|-------------------------------|------------------|------------------|------------------|------------------|
|      |                               | 300/301          | 300/301          | 300/301          | 300/301          |
| 1    | Cleanout Gasket .....         | 9004099215 ..... | 9004099215 ..... | 9004099215 ..... | 9004099215 ..... |
| 2    | Cleanout Plate .....          | 9005797205 ..... | 9005797205 ..... | 9005797205 ..... | 9005797205 ..... |
| 3    | T & P Valve .....             | 9005899205 ..... | 9005903205 ..... | 9005903205 ..... | 9005903205 ..... |
| 4    | Lower Temperature Probe ..... | 100271886 .....  | 100271886 .....  | 100271886 .....  | 100271886 .....  |
| 5    | Thread Forming Screws .....   | 9004100215 ..... | 9004100215 ..... | 9004100215 ..... | 9004100215 ..... |
| 6    | Drain Valve .....             | 9009085015 ..... | 9009085015 ..... | 9009085015 ..... | 9009085015 ..... |



## DISPLAY CONTROL ASSEMBLY

| Item | Description                       | BTH 120(A)       | BTH 150(A)       | BTH 199(A)       | BTH 250(A)       |
|------|-----------------------------------|------------------|------------------|------------------|------------------|
|      |                                   | 300/301          | 300/301          | 300/301          | 300/301          |
| 1    | Display Overlay .....             | 334316-000 ..... | 334316-000 ..... | 334316-000 ..... | 334316-000 ..... |
| 2    | Display Band .....                | 334067-000 ..... | 334067-000 ..... | 334067-000 ..... | 334067-000 ..... |
| 3    | Display Band Mount .....          | 9006271015 ..... | 9006271015 ..... | 9006271015 ..... | 9006271015 ..... |
| 4    | Enable/Disable Switch .....       | 193243-001 ..... | 193243-001 ..... | 193243-001 ..... | 193243-001 ..... |
| 5    | Switch Wire Connection .....      | 328918-000 ..... | 328918-000 ..... | 328918-000 ..... | 328918-000 ..... |
| 6    | User Interface Module - UIM ..... | 100271881 .....  | 100271881 .....  | 100271881 .....  | 100271881 .....  |
| 7    | UIM COMM Cable (not shown) .....  | 334445-000 ..... | 334445-000 ..... | 334445-000 ..... | 334445-000 ..... |
| 8    | Bracket, UIM Mounting .....       | 334317-000 ..... | 334317-000 ..... | 334317-000 ..... | 334317-000 ..... |

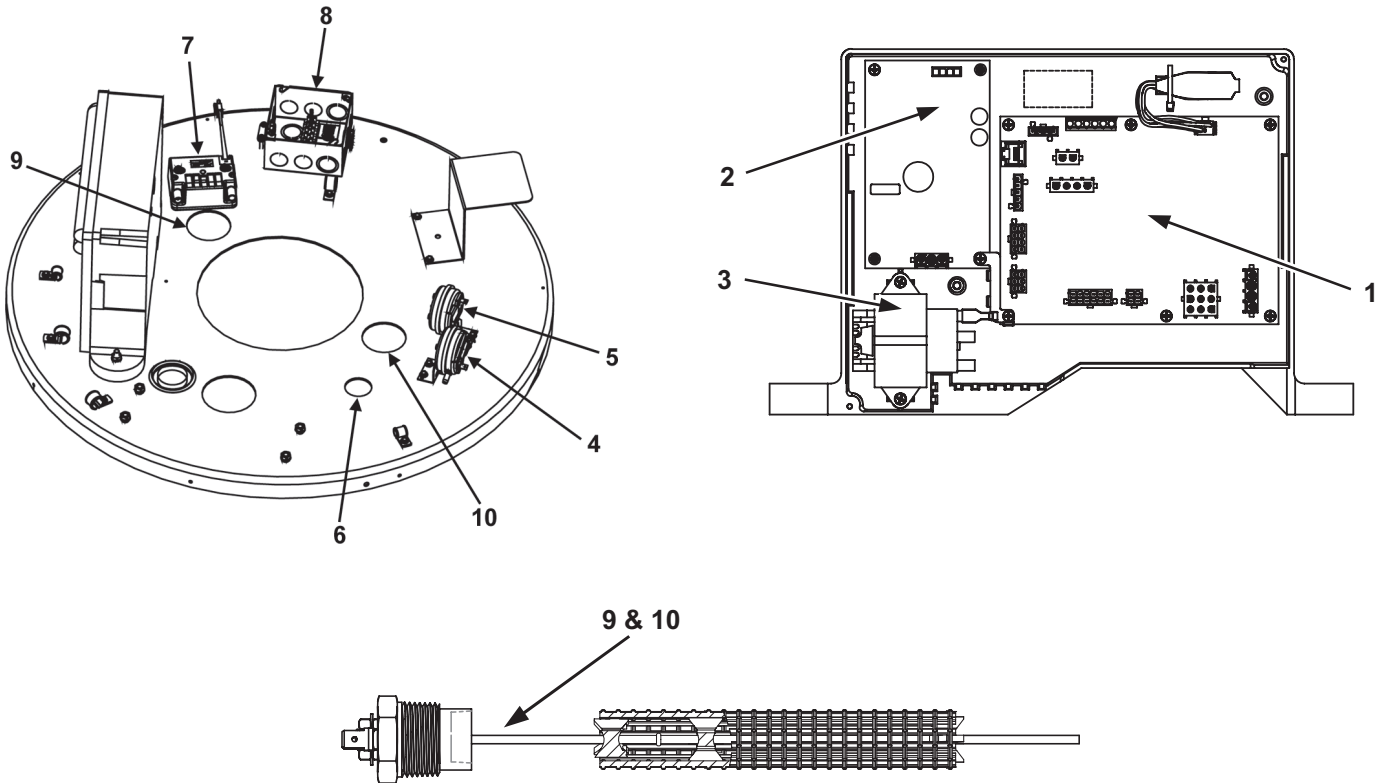


### INNER COVER CONTROL ASSEMBLY - MODELS BTH 120(A) & 150(A)

| Item    | Description                      | BTH 120(A)<br>300/301 | BTH 150(A)<br>300/301 |
|---------|----------------------------------|-----------------------|-----------------------|
| 1.....  | CCB Board-Programmed .....       | 9008907015.....       | 9008907015            |
| 2.....  | Power Supply Board .....         | 9008872005.....       | 9008872005            |
| 3.....  | Transformer .....                | 9008874005.....       | 9008874005            |
| 4.....  | Switch-Blocked Outlet.....       | 9008905015.....       | 9008905015            |
| 5.....  | Switch-Blocked Inlet .....       | 9008860015.....       | 9008860015            |
| 6.....  | Upper Temperature Probe.....     | 100271885.....        | 100271885             |
| 7.....  | Spark Ignition Transformer ..... | 100271921.....        | 100271921             |
| 8.....  | Junction Box Assembly.....       | 325118-003 .....      | 325118-003            |
| 9.....  | Powered Anode-Short.....         | N/A.....              | 9006247005            |
| 10..... | Powered Anode-Long .....         | 9006559005.....       | 9006246005            |

### INNER COVER CONTROL ASSEMBLY - MODELS BTH 199(A) & 250(A)

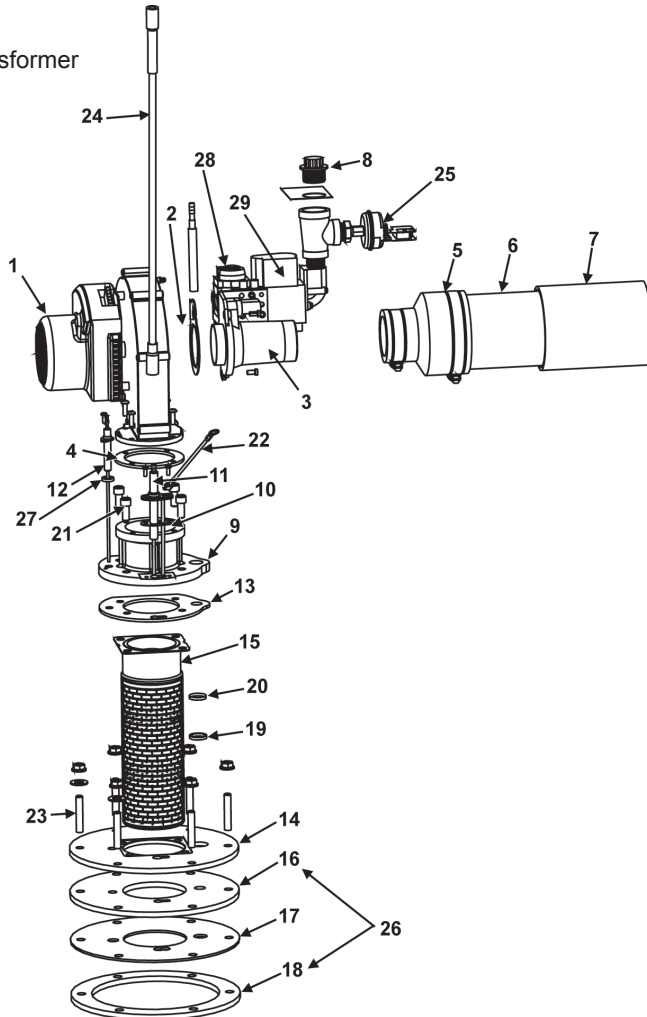
| Item    | Description                      | BTH 199(A)<br>300/301 | BTH 250(A)<br>300/301 |
|---------|----------------------------------|-----------------------|-----------------------|
| 1.....  | CCB Board-Programmed .....       | 9008907015 .....      | 9008907015            |
| 2.....  | Power Supply Board .....         | 9008872005 .....      | 9008872005            |
| 3.....  | Transformer .....                | 9008874005 .....      | 9008874005            |
| 4.....  | Switch-Blocked Outlet.....       | 9008905015 .....      | 9008905015            |
| 5.....  | Switch-Blocked Inlet .....       | 9008860015 .....      | 9008860015            |
| 6.....  | Upper Temperature Probe.....     | 100271885 .....       | 100271885             |
| 7.....  | Spark Ignition Transformer ..... | 100271921 .....       | 100271921             |
| 8.....  | Junction Box Assembly.....       | 325118-003.....       | 325118-003            |
| 9.....  | Powered Anode-Short.....         | 9006247005.....       | 9006247005            |
| 10..... | Powered Anode-Long .....         | 9006246005.....       | 9006246005            |



## BLOWER / BURNER ASSEMBLY - MODELS BTH 120(A) - 250(A)

| Item | Description                   | BTH 120(A) | BTH 120(A) | BTH 150 -250(A) | BTH 150 -250(A) |
|------|-------------------------------|------------|------------|-----------------|-----------------|
|      |                               | 300        | 301        | 300             | 301             |
| 1    | Blower                        | 100271839  | 100271839  | 100271923       | 100271923       |
| 2    | Gasket - Cork/Venturie        | **         | **         | **              | **              |
| 3    | Gas Valve / Venturie Assembly | 9008918005 | 9008919005 | 9008920005      | 9008921005      |
| 4    | Gasket                        | 9007139005 | 9007139005 | 9007139005      | 9007139005      |
| 5    | Connector - Intake            | 197604-000 | 197604-000 | 197604-000      | 197604-000      |
| 6    | Intake Tube                   | 194923-005 | 194923-005 | 194923-005      | 194923-005      |
| 7    | Intake Terminal ASM           | 197624-000 | 197624-000 | 197624-000      | 197624-000      |
| 8    | Cap Plug                      | 182134-003 | 182134-002 | 182134-003      | 182134-002      |
| 9    | Blower Adapter                | 320718-000 | 320718-000 | 320718-000      | 320718-000      |
| 10   | Gasket - Spark Rod            | 321751-000 | 321751-000 | 321751-000      | 321751-000      |
| 11   | Rod - Spark                   | 100271888  | 100271888  | 100271888       | 100271888       |
| 12   | Flame Sensor Rod              | 9008868015 | 9008868015 | 9008868015      | 9008868015      |
| 13   | Gasket - Burner               | 9008913015 | 9008913015 | 9008913015      | 9008913015      |
| 14   | Burner Plate                  | 324306-000 | 324306-000 | 328331-000      | 328331-000      |
| 15   | Burner Assembly               | 9008911005 | 9008911005 | 9008912005      | 9008912005      |
| 16   | Gasket - Insulation           | N/A        | N/A        | 9008917015      | 9008917015      |
| 17   | Shield - Heat                 | N/A        | N/A        | 9008916015      | 9008916015      |
| 18   | Gasket                        | 9007138005 | 9007138005 | 9008915015      | 9008915015      |
| 19   | Gasket - Viewport             | 9006103215 | 9006103215 | 9006103215      | 9006103215      |
| 20   | Window - Observation          | 9006102215 | 9006102215 | 9006102215      | 9006102215      |
| 21   | Screw - Socket Head Cap       | 192515-001 | 192515-001 | 192515-001      | 192515-001      |
| 22   | Jumper - Spark Ground         | 328246-000 | 328246-000 | 328246-000      | 328246-000      |
| 23   | Stud 5/16-18 x 1 3/4"         | 196881-001 | 196881-001 | 196881-001      | 196881-001      |
| 24   | Cable - Ignition***           | 100271890  | 100271890  | 100271890       | 100271890       |
| 25   | Low Gas Pressure Switch       | 100271883  | 9006255015 | 100271883       | 9006255015      |
| 26   | Burner Plate Gaskets****      | N/A        | N/A        | 9009026005      | 9009026005      |
| 27   | Flame Rod Gasket              | 318532-000 | 318532-000 | 318532-000      | 318532-000      |
| 28   | Low Gas Fitting               | N/A        | N/A        | 333999-000      | N/A             |
| 29   | Rectifier Plug Assembly       | 197750-000 | 197750-000 | 197750-000      | 197750-000      |

\*\* Supplied with Gas Valve/Venturi Assembly.  
 \*\*\* Supplied with Spark Rod and Spark Ignition Transformer  
 \*\*\*\* Combines Kits 16 & 18



### 3" EXHAUST CONNECTOR AND VENT KIT ASSEMBLIES - MODELS BTH 120(A) - 250(A)

BTH 120(A) - 250(A)  
300 /301

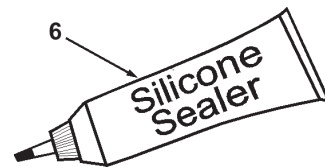
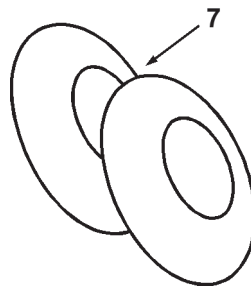
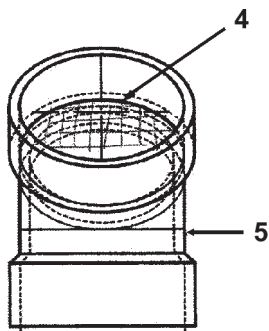
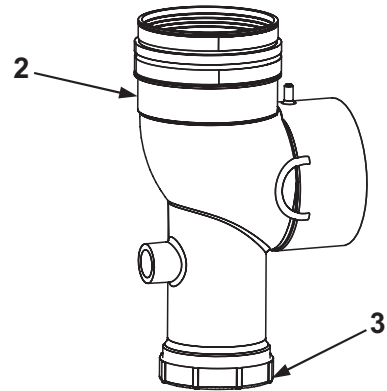
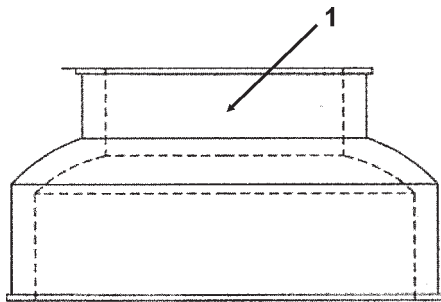
Item Description

#### EXHAUST ELBOW AND FITTINGS

- 1 ..... Exhaust Connector (2.50" x 4.00").....9006157205
- 2 ..... Exhaust/Condensate Elbow Assembly.....9008908005
- 3 ..... Condensate Trap Gasket.....328019-000

#### VENT KIT PARTS

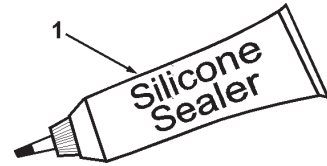
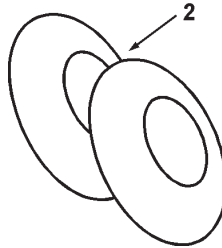
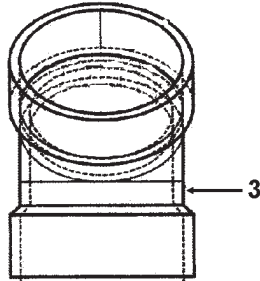
- 4 ..... Intake/Exhaust Screen.....9006027015
- 5 ..... PVC 45 Degree Elbow w/Screen (PVC).....9001957005
- 5 ..... PVC 45 Degree Elbow (Canada, ULC S636) .....197868-000
- 6 ..... Silicone .....9004365105
- 7 ..... Wall Plate.....9004364105



**OPTIONAL VENT KIT ASSEMBLY FOR 4" VENTING #9006205205 (U.S.), #9006339005 (CANADA)**

**BTH 120(A) thru 250(A)  
300 / 301**

| Item | Description                          |
|------|--------------------------------------|
| 1    | ..... Silicone.....                  |
| 2    | ..... Wall Plate .....               |
| 3    | ..... Vent Terminal Assembly 4"..... |



**NOTES:**

A large, empty rectangular box with a thin black border, intended for taking notes.



A.O. Smith Water Heater Parts Fulfillment  
125 Southeast Parkway  
Franklin, TN 37068  
1-800-433-2545  
[www.hotwater.com](http://www.hotwater.com)