

**PRODUCT SPECIFICATIONS**

Elkay Slimline Soft Sides® Fountain Non-Filtered Non-Refrigerated, Freeze Resistant Stainless. Features shall include Freeze Resistant. Furnished with Vandal-Resistant bubbler. Mechanical Front Bubbler Button activation. Product shall be Wall Mount (On-Wall), for Indoor/Outdoor applications, serving 1 station(s). Unit shall be lead-free design which is certified to NSF/ANSI 61 & 372 (lead free) and meets Federal and State low-lead requirements.

<b>Special Features:</b>	Freeze Resistant
<b>Finish:</b>	Stainless Steel
<b>Power:</b>	No Electrical Required
<b>Bubbler Style:</b>	Vandal-Resistant
<b>Activation by:</b>	Mechanical Front Bubbler Button
<b>Mounting Type:</b>	Wall Mount (On-Wall)
<b>Chilling Option:</b>	Non-Refrigerated
<b>Dimensions (L x W x H):</b>	19-3/4" x 19-3/8" x 20-3/8"
<b>Approx. Shipping Weight:</b>	41 lbs.
<b>Installation Location:</b>	Indoor/Outdoor
<b>No. of Stations Served:</b>	1

- Mechanically-Activated bubbler continues to supply water in event of service disruptions.
- Vandal-resistant, bubblers are one-piece, chrome plated with integral hood guard design to prevent contamination from other users, airborne deposits and tampering.
- Freeze Resistant:  
- Depending on specific installation, freeze resistant system is located either below frost line or in temperature controlled space.



AMERICAN PRIDE. A LIFETIME TRADITION. Like your family, the Elkay family has values and traditions that endure. For almost a century, Elkay has been a family-owned and operated company, providing thousands of jobs that support our families and communities.



**Included with Product:** Fountain, Freeze Resistant Box

▼ **Ships in multiple boxes.**

**PRODUCT COMPLIANCE**

ADA & ICC A117.1

Buy American Act

NSF/ANSI 61 & 372 (lead free)



Complies with ADA & ICC A117.1 accessibility requirements when installed according to the requirements outlined in these standards. Installation may require additional components and/or construction features to be fully compliant. Consult the local Authority Having Jurisdiction if necessary.

[Installation Instructions \(PDF\) - 98011C](#)

[Installation Instructions \(PDF\) - 97566C](#)

Water Systems are warranted for 12 months from date of installation.

**Warranty pertains to drinking water applications only. Non-drinking water applications are not covered under warranty.**

[Warranty \(PDF\)](#)

**OPTIONAL ACCESSORIES**

EWF172 - WaterSentry VII Filter Kit (Coolers + Fountains)
AP99 - Accessory - Access Panel
98481C - Bubbler Kit Water-Efficient Vandal-Resistant
LKAPR2 - Accessory - Cane Apron for EHW

PART: \_\_\_\_\_ QTY: \_\_\_\_\_

PROJECT: \_\_\_\_\_

CONTACT: \_\_\_\_\_

DATE: \_\_\_\_\_

NOTES: \_\_\_\_\_

APPROVAL: \_\_\_\_\_

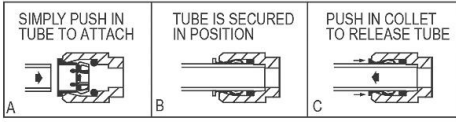
*In keeping with our policy of continuing product improvement, Elkay reserves the right to change product specifications without notice. Please visit elkay.com for the most current version of Elkay product specification sheets. This specification describes an Elkay product with design, quality, and functional benefits to the user. When making a comparison of other producers' offerings, be certain these features are not overlooked.*

**INSTALLER NOTE**

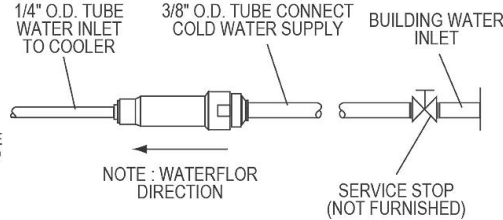
This drinking fountain is furnished with a bubbler and valve including all connecting fittings which are manufactured of completely lead free material. Shut off valve (not furnished) to accept 3/8" O.D. unplated copper tube.

**WARNING:** The freeze-resistant box must be installed on an interior heated wall where the temperature does not drop below 50°F (10°). The front of the box must have unobstructed air flow. Failure to maintain the interior wall temperature and the inside of the freeze-resistant box above 50°F (10°) can result in damage to the box which could result in unrestricted water flow.

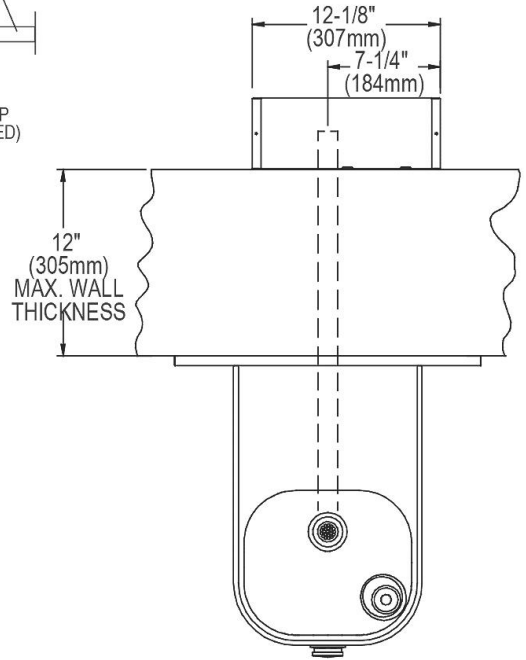
**OPERATION OF QUICK CONNECT FITTINGS**



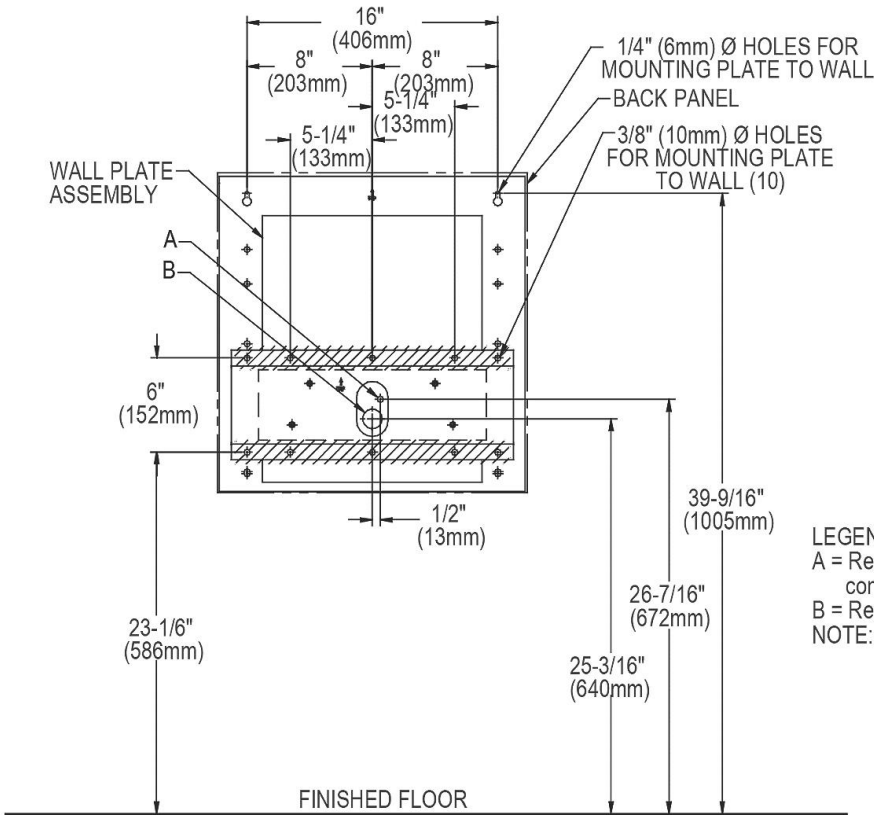
PUSHING TUBE IN BEFORE PULLING IT OUT HELPS TO RELEASE TUBE



**TOP VIEW**



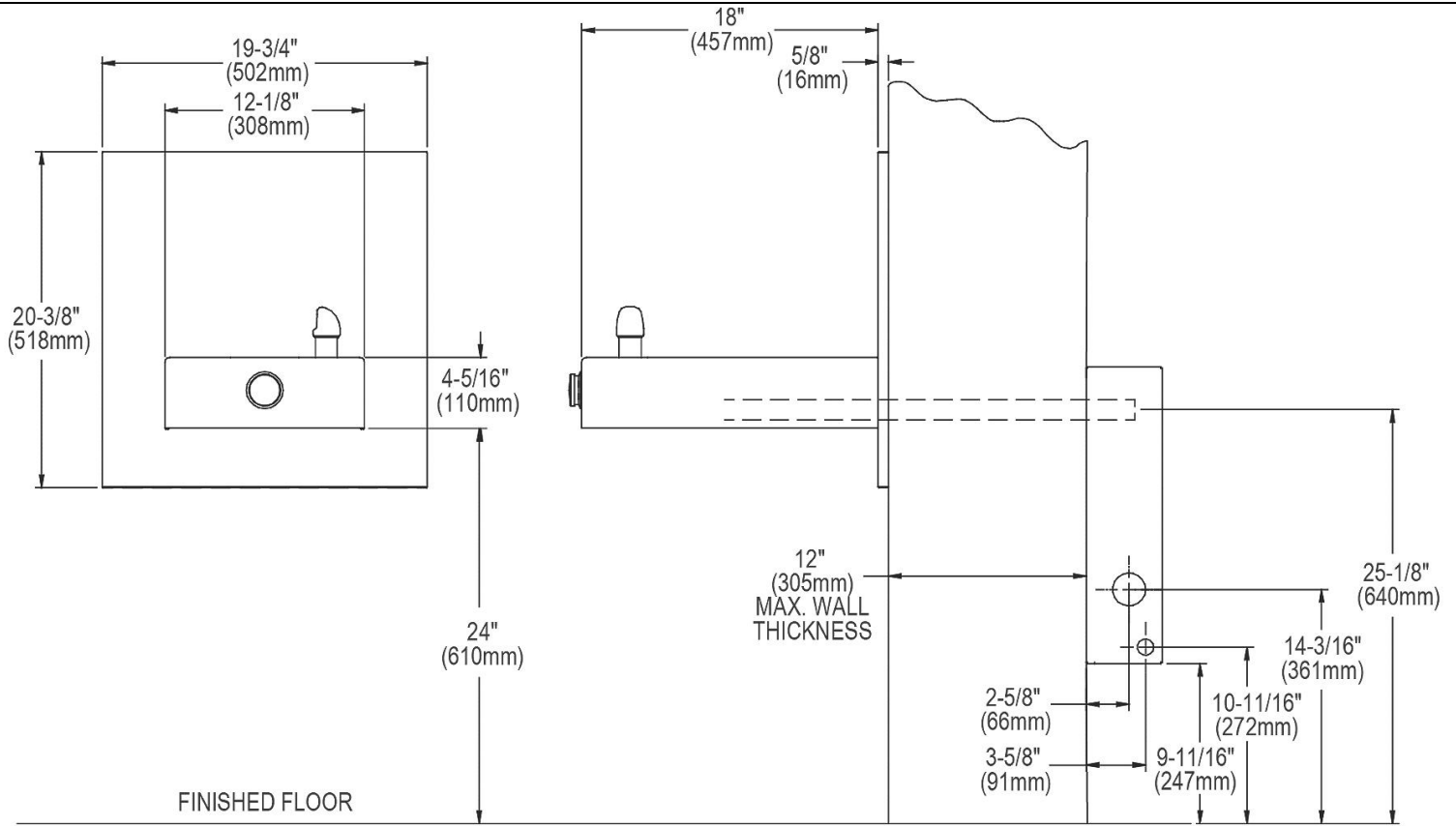
**WALL LAYOUT**



**LEGEND**

A = Recommended water supply location 3/8" O.D. unplated copper tube connect stubbed 1-1/2" (38mm) from wall shut off by others.  
B = Recommended location for waste outlet 1-1/4" O.D. drain.  
NOTE: Reinforce the wall in shaded areas.

In keeping with our policy of continuing product improvement, Elkay reserves the right to change product specifications without notice. Please visit [elkay.com](http://elkay.com) for the most current version of Elkay product specification sheets. This specification describes an Elkay product with design, quality, and functional benefits to the user. When making a comparison of other producers' offerings, be certain these features are not overlooked.



\*Child ADA Requirement

In keeping with our policy of continuing product improvement, Elkay reserves the right to change product specifications without notice. Please visit [elkay.com](http://elkay.com) for the most current version of Elkay product specification sheets. This specification describes an Elkay product with design, quality, and functional benefits to the user. When making a comparison of other producers' offerings, be certain these features are not overlooked.