



INSTALLATION MANUAL

WATER HEATER DUCT KIT



Read this installation manual thoroughly before operating the appliance and keep it handy for reference at all times.

Original instruction

EN ENGLISH

FR FRANÇAIS

ES ESPAÑOL

DE DEUTSCH

IT ITALIANO

PL POLSKI



MFL71791701
Rev.00_120420



www.lg.com

Copyright © 2020 - 2021 LG Electronics Inc. All Rights Reserved.

TABLE OF CONTENTS

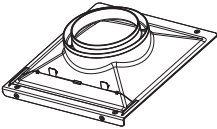
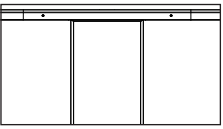
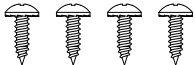
This manual contain images or content different from the model you purchased.
This manual is subject to revision by the manufacturer.

- INSTALLATION3**
 - Parts and Functions3
 - Installation Tools3
 - Select the best Location4
 - Allowable duct length5
 - Static pressure calculation table5
 - Installing duct adaptor(Outlet)6
 - Installing duct adaptor(Inlet)7


- OPERATION8**
 - Using Basic Control8

- MAINTENANCE9**
 - Air Filter Maintenance9

Parts and Functions

Figure	Name	Figure	Name
	Duct + Duct cover		Duct hole guide
	Screw (4 EA)		

Installation Tools

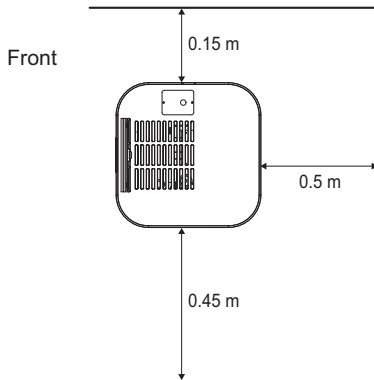
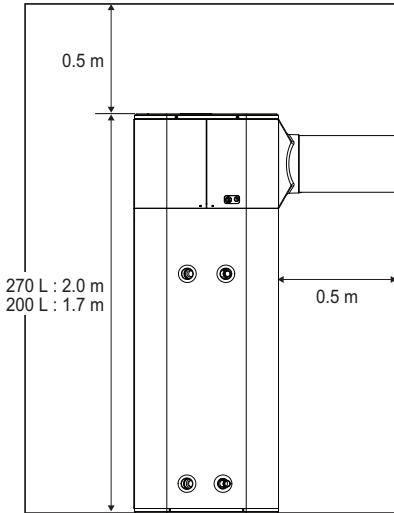
Figure	Name
	Screw driver

Select the best Location

1) Semi-duct

Minimum Clearances

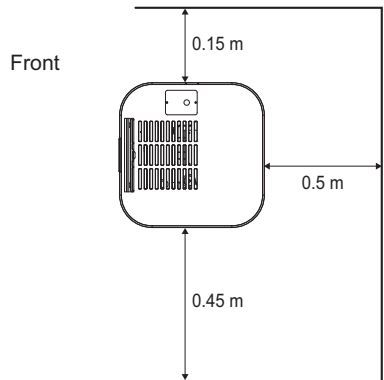
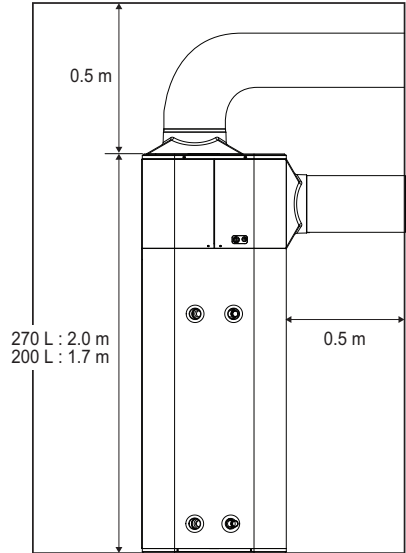
(Semi-ducted configuration)



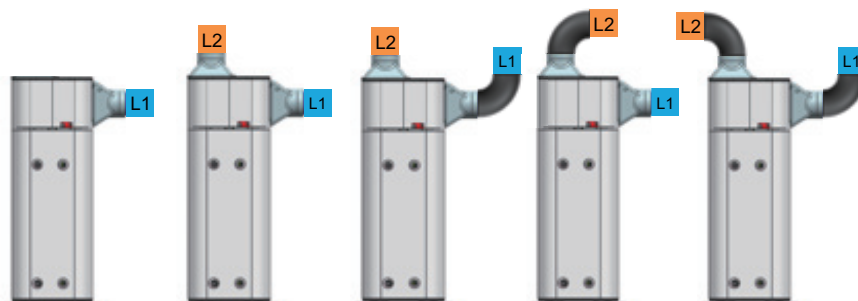
2) Duct

Minimum Clearances

(Ducted configuration)



Allowable duct length



Case 1

Case 2

Case 3

Case 4

Case 5

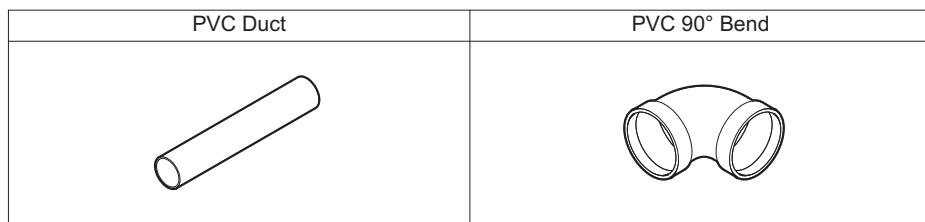
System Static Pressure		Case	Case 1		Case 2		Case 3		Case 4		Case 5	
1150 rpm	P(Pa)	Size	Ø 200	Ø 160	Ø 200	Ø 160	Ø 200	Ø 160	Ø 200	Ø 160	Ø 200	Ø 160
		Remark	Outlet only		No Elbow		Elbow x 1		Elbow x 1		Elbow x 2	
3.6 CMM	55	L1+L2	62	25	55	22	52	19	52	19	49	16
4.5 CMM	43	(m)	31	12	27	10	24	7	24	7	21	4

NOTE

- Total of static pressure must not exceed 55 Pa.

Static pressure calculation table

Component	3.6 CMM			4.5 CMM		
	Smooth	Smooth 90°	Duct adapter	Smooth	Smooth 90°	Duct adapter
	PVC Duct (Pa/m)	PVC Bend (Pa/EA)	(Suc. & Dis. set) (Pa)	PVC Duct (Pa/m)	PVC Bend (Pa/EA)	(Suc. & Dis. set) (Pa)
Ø160	2	6	-	3.1	9.4	-
Ø200	0.8	2.3		1.2	3.7	
Adaptor			5.5 + 5.5			5.8 + 5.8

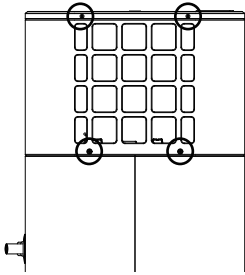


Installing duct adaptor(Outlet)

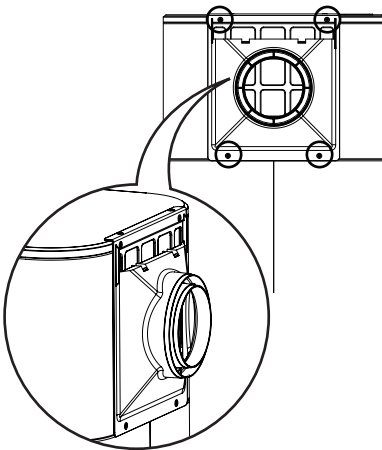
CAUTION

Turn off the power by opening the circuit breaker or removing the fuses before installing.

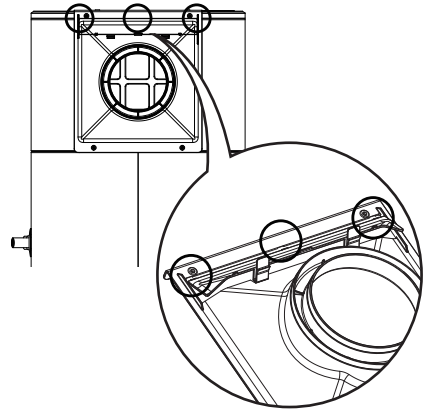
- 1 Remove the screws.



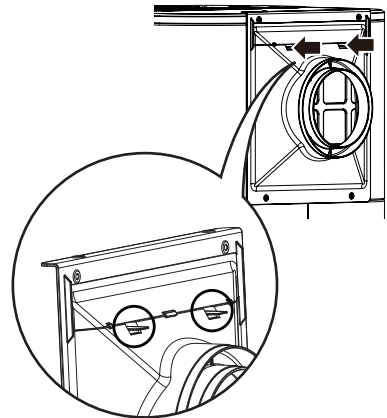
- 2 Place the duct adaptor and align the each holes and fasten it with additional screws in the installation box.



- 3 Assemble the duct cover with guiding ribs.

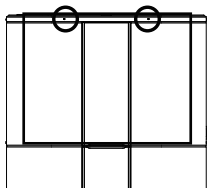


- 4 Install the cover until it makes click sound.

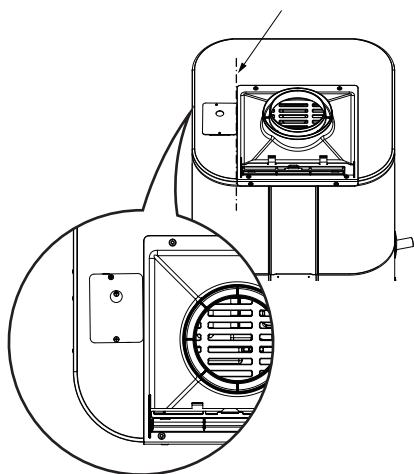


Installing duct adaptor (Inlet)

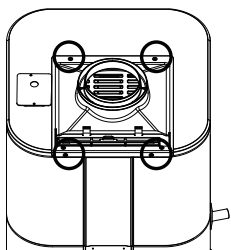
- 1 Make two holes using the duct hole guide.



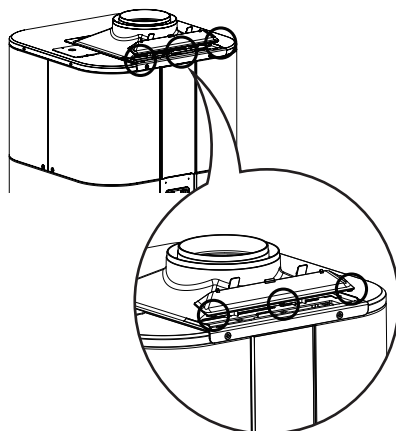
- 2 Align the duct adaptor with the end line of power cord cover.



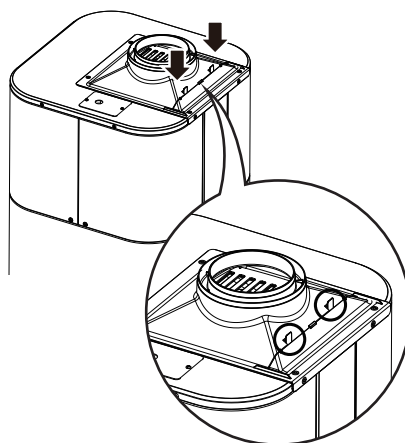
- 3 Fasten it with additional screws in the installation box.



- 4 Assemble the duct cover with guiding ribs.

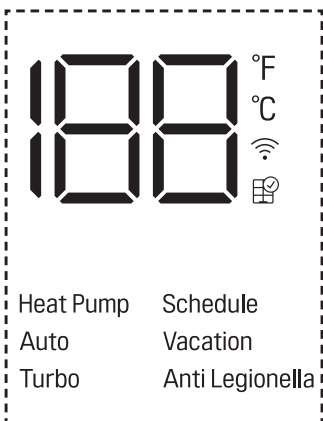


- 5 Install the cover until it makes click sound.

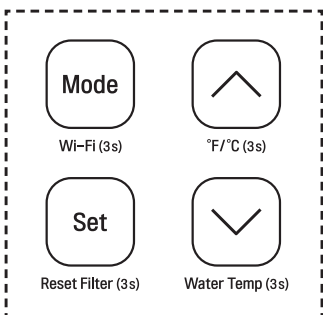


Using Basic Control

DISPLAY SCREEN



2



1

1 Button	2 Display Screen	Description
Mode	Heat Pump	To select the heat pump mode.
	Auto	To select the auto mode.
	Turbo	To select the turbo mode.
	Vacation	To select the Vacation mode.
-	Schedule	Set schedule mode only in LG ThinQ application.
-	Anti Legionella	To select the Anti Legionella mode.
Set	-	To set the desired water temperature.
↑ ↓	188	To adjust the desired water temperature.
Wi-Fi (3s)	Wi-Fi	To enable the Wi-Fi pairing.
Reset Filter (3s)	Filter icon	To reset the filter alarm.
°F/°C (3s)	°F °C	To change unit between °F and °C.
Water Temp (3s)	188	To display the current water temperature for 5 seconds.

DUCT MODE

Press and hold Set & ↓ button about 3 seconds to set duct mode.

Fan speed is increased to 1150rpm.

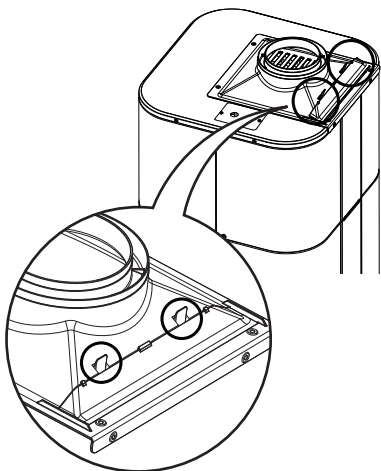
Air Filter Maintenance

Clean the air filters when "Air filter check (🧹)" alarm appears on the display.

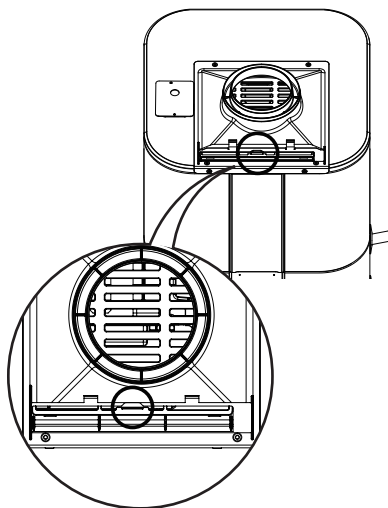
NOTE

- The air filter can be broken when it is bended.
- When the air filter is not assembled correctly, dust and other substance come into the unit.

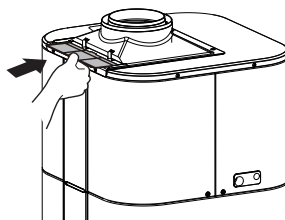
- 1 Turn off the power by opening the circuit breaker or removing the fuses.
- 2 Disassemble the cover.



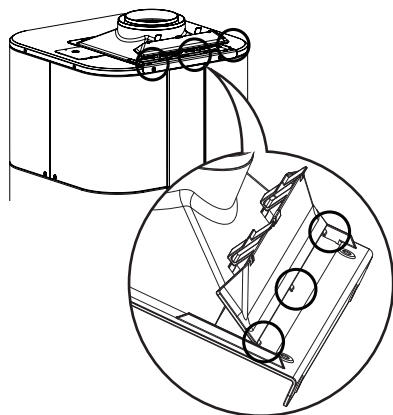
- 3 Hold the knobs of the air filter, pull out the filter from the top cover.



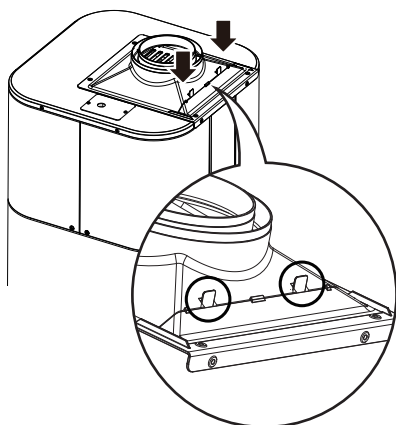
- 4 Clean the filter with a vacuum cleaner or with lukewarm water with neutral detergent.
- 5 Dry the filter in the shade.
- 6 Insert the air filter into the top cover.



7 Assemble the duct cover with guiding ribs.



8 Install the cover until it makes click sound.



9 Press and hold Set button about 3 seconds to reset the alarm.

