

INSTALLATION INSTRUCTIONS

Contempo Tub Spout

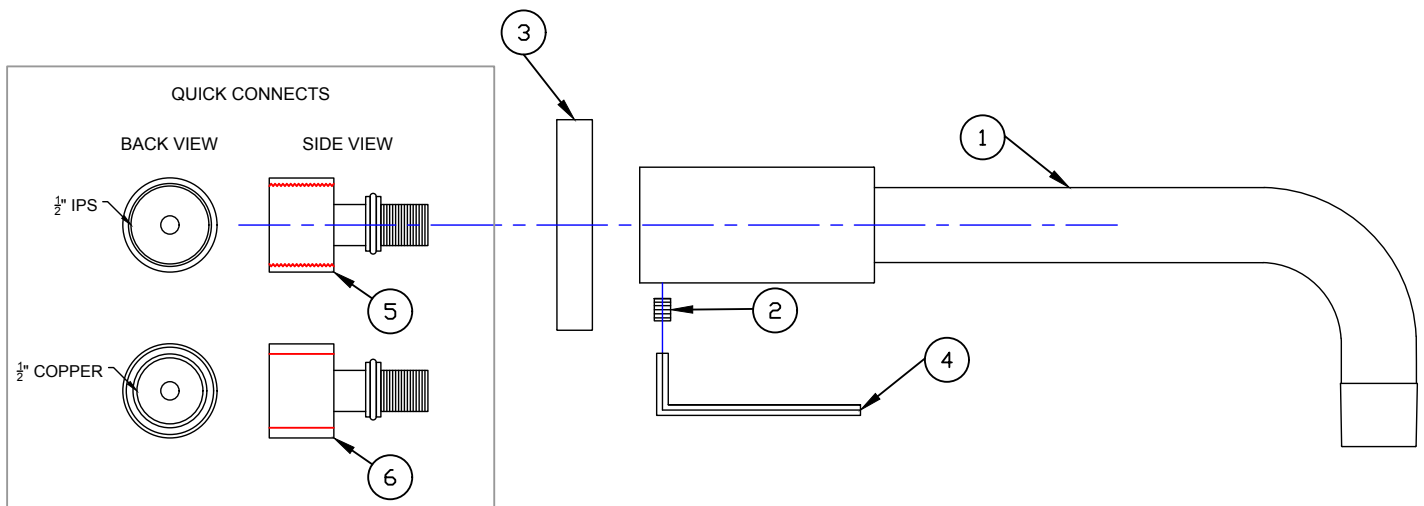
Part #: 8230

JACLO®

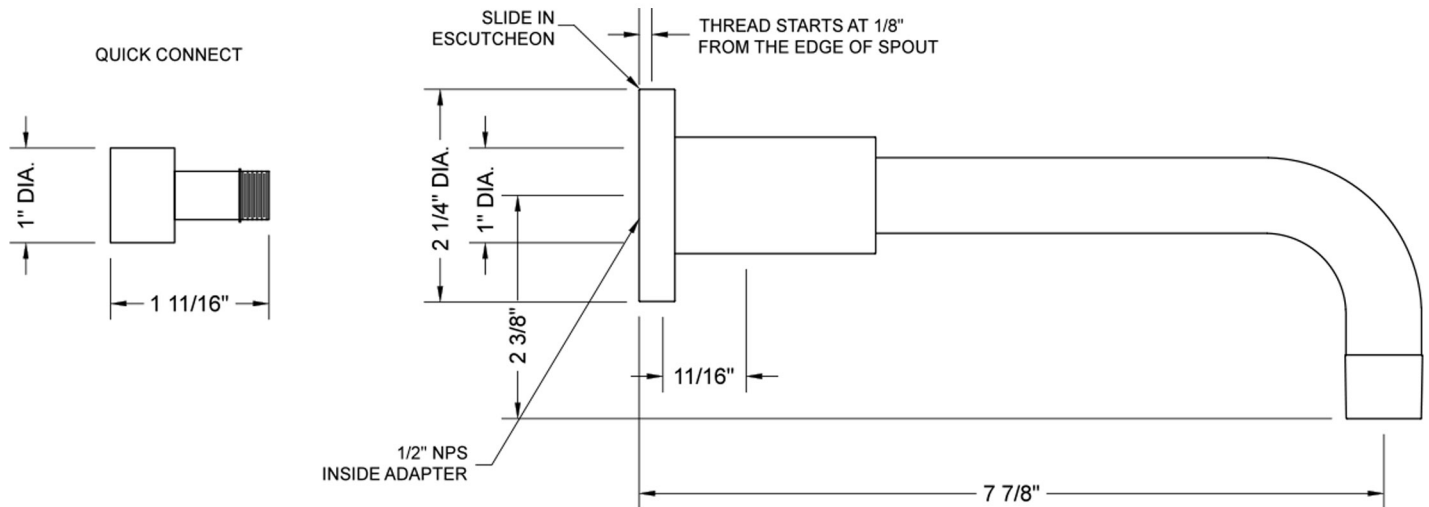
Confidence from start to finish.™



PARTS



COMPONENT PARTS	
1	SPOUT
2	SET SCREW
3	ESCUTCHEON
4	ALLEN KEY
5	1/2" IPS QUICK CONNECT
6	1/2" COPPER QUICK CONNECT



TUB SPOUT INSTALLATION

1. Determine installation 1/2" IPS or 1/2" copper sweat.

Pipe should protrude through finished wall 3/4"

NOTE: ADAPTERS SUPPLIED TO RECEIVE 1/2" IPS MALE NIPPLE OR 1/2" COPPER TUBING

2. Loosen set screw located in back of spout and put in secure location.
3. Remove quick connect FROM SPOUT using 1/4" allen key.
4. Affix quick connect to IPS or copper using appropriate procedures.
5. Lubricate o-ring of quick connect.
6. Screw tub spout onto quick connect.
7. Tighten set screw.
8. Slide escutcheon over spout.

To learn more about JACLO's warranty, please visit [**jaclo.com**](http://jaclo.com)