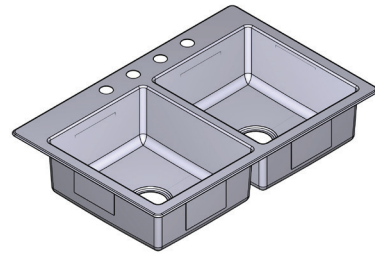


Model Number	Faucet Holes	Depth-Inches	Drain Placement	ADA/FHA Compliant
GS202683	3	7"	Center	FHA
GS202684	4	7"	Center	FHA



### SINK DESCRIPTION

- Double bowl drop in sink
- 20 gauge stainless steel, brushed finish
- Drop in hardware included
- SoundSHIELD™ sound absorbing system

### WARRANTY

- Lifetime limited warranty to the original homeowner
- 10 year limited warranty when used in a Multi-family installation
- 5 year limited warranty when used in a Commercial installation
- Visit [www.moen.com/customer-support/warranty](http://www.moen.com/customer-support/warranty) for complete details and limitations

### SINK DIMENSIONS

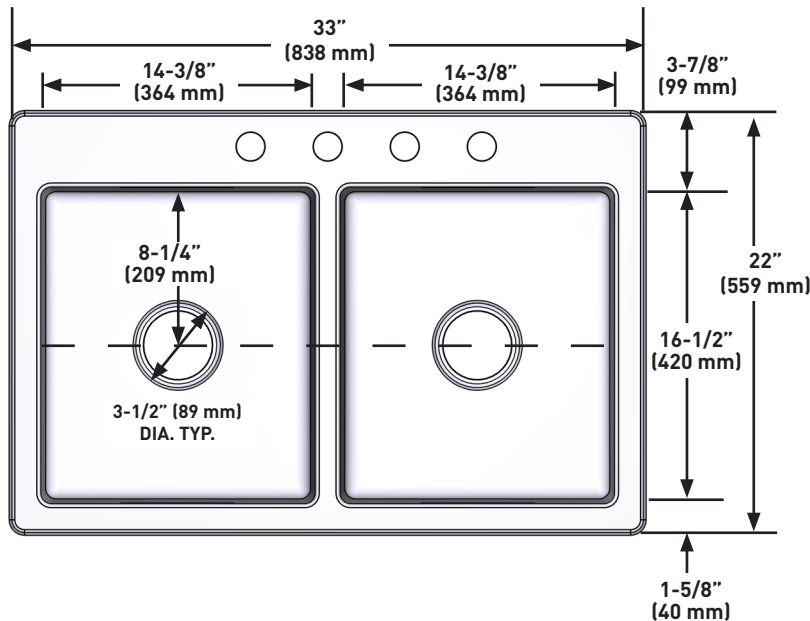
- Minimum Cabinet Size: 36"
- Overall: 33" x 22"
- Left Bowl: 14-3/8 x 16-1/2
- Right Bowl: 14-3/8 x 16-1/2
- Drain Size: 3-1/2"
- Sink Radius: R20

### STANDARDS

- Third party certified to meet ASME A112.19.3/CSA B45.4 and all applicable specifications referenced therein
- \*FHA Sink compliant to FHA accessibility specifications when installed to these required standards. Always consult with your local building department for the specific installation requirements.

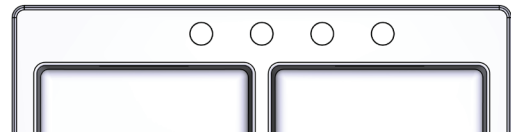
### CRITICAL DIMENSIONS

[DO NOT SCALE]



### Faucet Hole Configurations

1-1/2" (38mm) diameter faucet holes  
4" (102mm) Center



### Installation Detail

