

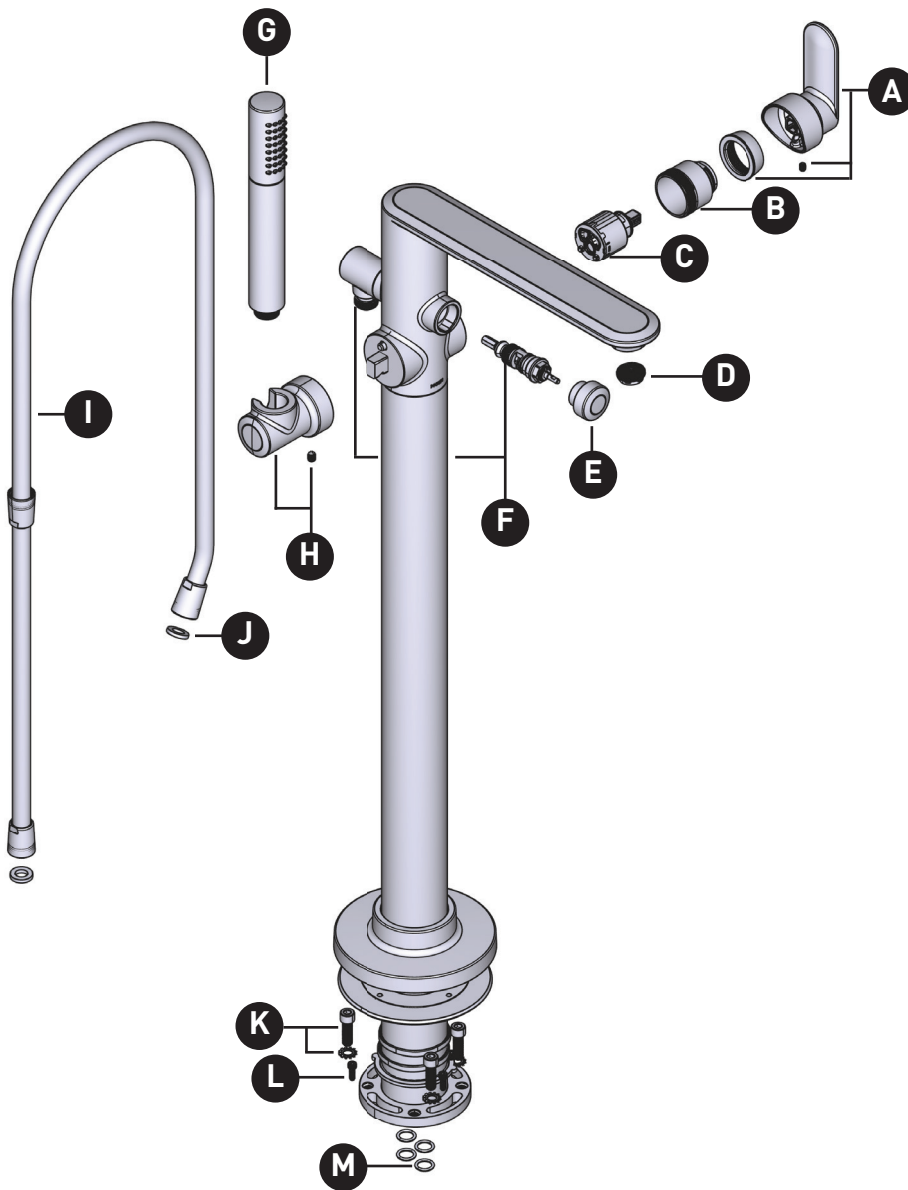
GREENFIELD™

Single Handle Single Riser Floor
Mounted Tub Filler Faucet

MODELS: 620 Series

ORDER BY PART NUMBER

*Trim can be used with TS50100 or TS50110



ID	Kit Number	Finish
*A	215546	See below
B	195809	N/A
C	252005	N/A
D	149117 (Includes Tool)	N/A
*E	215548	See below
*F	216656 (Includes Tool)	See below
*G	155891	See below
*H	215547	See below
*I	155748	See below
J	101199 (x2)	N/A
K	259417 (x4)	N/A
L	259418 (x4)	N/A
M	259424 (x4) (Includes O-Rings and Grease Kit)	N/A

*Finish Determined by Suffix

Finish	Description
C	Chrome
BN	Brushed Nickel
BG	Brushed Gold
BL	Matte Black



M-pactS system