

# TUBE CLAMP FOR CTS PIPING

## »» 559 SERIES

### SPECIFICATION

Sioux Chief 559 series tube clamps are to be used where necessary to secure CTS piping in residential or commercial applications. Tube clamp has a split, ribbed design to allow for use after piping is run and to allow pipe to expand and contract. Clamps shall be compatible with CTS copper, PEX or CPVC tube. Clamps shall be IAPMO certified.

### INSTALLATION

Spread each side of the clamp and position clamp around the tube. Use approved nail or screw in both of the provided holes to secure clamp to stud member or structure.

### MATERIALS

**Standard (ivory):** high impact polypropylene

**Plenum-safe (orange):** polyvinylidene fluoride meets ASTM E84 25/50 with UL 94 V-0 rating

### SAFE WORKING TEMPERATURES

**Standard (ivory):** 140°F (continuous); impact resistant to 0°F

**Plenum-safe (orange):** -10°F to 140°F

### SAFE WORKING LOAD

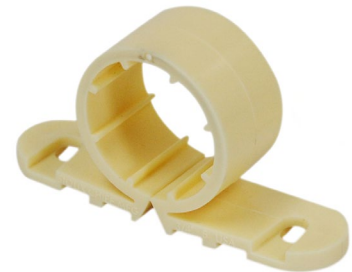
**Standard (ivory):** 25 lbs

**Plenum-safe (orange):** 15 lbs

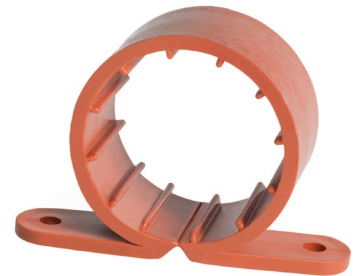
### DIMENSIONS

	559_2	559_3	559_4	559_5	559_6	559_7
<b>A:</b> Tube size (CTS)	½"	¾"	1"	1¼"	1½"	2"
<b>B:</b> Overall height	1.021"	1.275"	1.535"	1.785"	2.034"	2.562"
<b>C:</b> Overall length	2.415"	2.617"	2.821"	3.227"	3.421"	3.836"
<b>D:</b> Overall depth	0.624"	0.675"	0.825"	0.975"	1.025"	1.125"
<b>E:</b> Mounting hole center-lines	1.624"	1.827"	2.233"	2.639"	2.843"	3.248"
<b>F:</b> Mounting tab wall thickness	.603"	.603"	0.12"	0.15"	0.15"	0.15"
<b>G:</b> Hole diameter	0.188"	0.188"	0.188"	0.188"	0.188"	0.188"

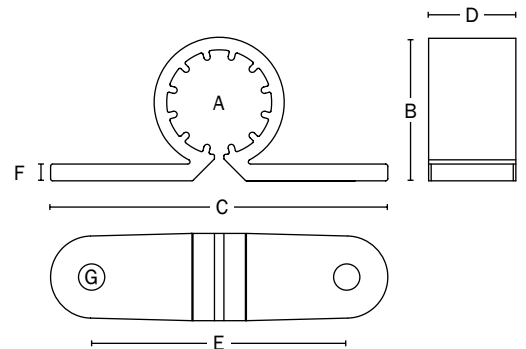
ITEM # SUBMITTED	_____
JOB NAME	_____
LOCATION	_____
ENGINEER	_____
CONTRACTOR	_____
PO#	_____ TAG _____



559-2



559F6



Made in USA

### Create Item Number

## 559AB

e.g. **559F3:** Plenum-safe ¾" CTS tube clamp

#### MATERIAL A

- = High-impact polypropylene

F = Polyvinylidene fluoride

#### SIZE B

2 = ½" CTS

3 = ¾" CTS

4 = 1" CTS

5 = 1¼" CTS

6 = 1½" CTS

7 = 2" CTS