

For Non-Health Hazard Applications

Job Name _____

Contractor _____

Job Location _____

Approval _____

Engineer _____

Contractor's P.O. No. _____

Approval _____

Representative _____

LEAD FREE*

TempTAP™
Thermostatic Faucet



Features

- Eliminates installation of under-the-counter thermostatic valve
- Powers' Advance Thermal Actuator quickly compensates for pressure and temperature fluctuations
- Mixes hot and cold water to deliver tempered water within specified range
- Heavy duty Lead Free* brass body for durability and to comply with low lead installation requirements
- Copper supplies feature integrated check valves
- Self-contained cartridge installs in a minute to simplify repairs
- Limits flow to less than 0.5 gpm in the event of cold water failure
- ADA compliant
- ASSE 1070, IAPMO cUPC listed, and NSF 61 Section 9 Annex G

115



Specifications

Connections 3/8" (10 mm) compression inlets with checks
 Maximum Operating Pressure 125psi (861 kPa)
 Maximum Hot Water Temperature 194°F (90°C)
 Minimum Hot Water Supply Temperature 5°F (3°C) Above Set Point
 Temperature Adjustment Range 60 – 120°F (15 – 49°C)
 Minimum Flow to ASSE 1070 0.5 gpm (1.9 lpm)
 Cold Water Inlet Temperature Range 39 – 80°F (4 – 27°C)
 Hot Water Inlet Temperature Range 120 – 180°F (49 – 82°C)
 Factory Set Temperature 105°F (41°C)
 Listing ASSE 1070, IAPMO cUPC
 Approval Standards ASSE 1070, CSA B125.3, NSF 61 Section 9 Annex G

*The wetted surface of this product contacted by consumable water contains less than 0.25% of lead by weight.

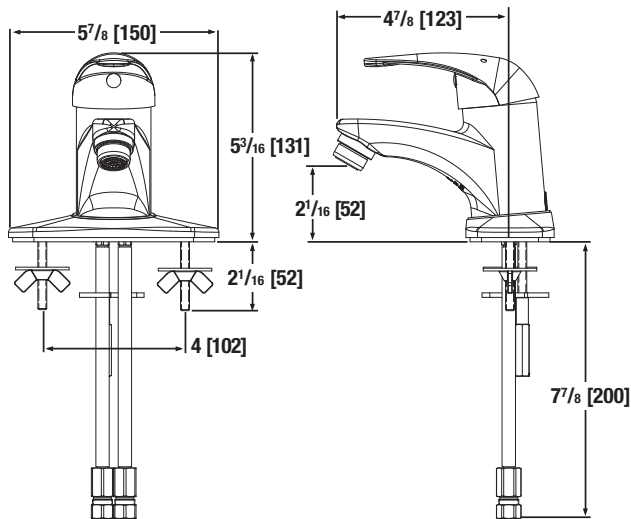
Capacity Table**

Min. Flow to ASSE 1070	C _v	10psi (69 kPa)	20psi (138 kPa)	30psi (207 kPa)	45psi (310 kPa)	60psi (414 kPa)
0.50 gpm 1.89 lpm	0.316	1.00 gpm 3.78 lpm	1.41 gpm 5.34 lpm	1.73 gpm 6.55 lpm	2.12 gpm 8.03 lpm	2.45 gpm 9.27 lpm

**Less Aerator & Outlet temperature 105°F (41°C)

Powers product specifications in U.S. customary units and metric are approximate and are provided for reference only. For precise measurements, please contact Powers Technical Service. Powers reserves the right to change or modify product design, construction, specifications, or materials without prior notice and without incurring any obligation to make such changes and modifications on Powers products previously or subsequently sold.

Dimensions



Typical Specification

Faucet shall feature solid Lead Free* brass cast housing and brass limit stop to prevent over adjustment of handle. Faucet shall be listed to ASSE 1070 and IAPMO cUPC for temperature and pressure protection with a minimum control flow of 0.5 gpm (1.9 lpm). Faucet shall feature a single cartridge design for ease of repair and maintenance and shall provide an approach temperature of no greater than 5°F (3°C). Faucet shall include integral check valves to prevent cross flow and have a metal lever handle in compliance with the American with Disabilities Act (ADA). Faucet shall feature ceramic disc mixing and shall be constructed using Lead Free* material which shall comply with state codes & standards, where applicable requiring reduced lead content.

Faucet shall be Powers model _____.

NOTICE

The information contained herein is not intended to replace the full product installation and safety information available or the experience of a trained product installer. You are required to thoroughly read all installation instructions and product safety information before beginning the installation of this product.

Ordering Information

Description	Order Code
<input type="checkbox"/> Lavatory Faucet & 2.0 gpm Aerator	105
<input type="checkbox"/> Lavatory Faucet & 2.0 gpm Vandal Resistant Aerator	105VA
<input type="checkbox"/> Lavatory Faucet, 6" Lever Handle & 2.0 Aerator	105-6
<input type="checkbox"/> Lavatory Faucet, 2.0 gpm Aerator & Pop-Up Waste	105PW
<input type="checkbox"/> Lavatory Faucet & 0.5 gpm Outlet	105A5
<input type="checkbox"/> Lavatory Faucet & 0.5 gpm Vandal Resistant Outlet	105V5
<input type="checkbox"/> Lavatory Faucet & 1.5 gpm Aerator+	105A15
<input type="checkbox"/> Lavatory Faucet & 2.0 gpm Laminar flow outlet	105L
<input type="checkbox"/> Lavatory Faucet & 2.0 gpm Vandal Resistant Laminar flow outlet	105VL
<input type="checkbox"/> Lavatory Faucet & 0.5 gpm Laminar flow outlet	105L5
<input type="checkbox"/> Lavatory Faucet & 0.5 gpm Vandal Resistant Laminar flow outlet	105VL5
<input type="checkbox"/> Lavatory Faucet, Deck Plate & 2.0 gpm Aerator	115
<input type="checkbox"/> Lavatory Faucet, Deck Plate & 2.0 gpm Vandal Resistant Aerator	115VA
<input type="checkbox"/> Lavatory Faucet, Deck Plate, 6" Lever Handle & 2.0 Aerator	115-6
<input type="checkbox"/> Lavatory Faucet, Deck Plate, 2.0 gpm Aerator & Pop-Up Waste	115PW
<input type="checkbox"/> Lavatory Faucet, Deck Plate & 0.5 gpm Outlet	115A5
<input type="checkbox"/> Lavatory Faucet, Deck Plate & 0.5 gpm Vandal Resistant Outlet	115V5
<input type="checkbox"/> Lavatory Faucet, Deck Plate & 1.5 gpm Aerator+	115A15
<input type="checkbox"/> Lavatory Faucet, Deck Plate & 2.0 gpm Laminar flow outlet	115L
<input type="checkbox"/> Lavatory Faucet, Deck Plate & 2.0 gpm Vandal Resistant Laminar flow outlet	115VL
<input type="checkbox"/> Lavatory Faucet, Deck Plate & 0.5 gpm Laminar flow outlet	115L5
<input type="checkbox"/> Lavatory Faucet, Deck Plate & 0.5 gpm Vandal Resistant Laminar flow outlet	115VL5

+WaterSense® applies to 1.5 gpm aerator models only.

WaterSense® is a registered trademark of the EPA.

POWERS™

A WATTS Brand

USA: Tel: (800) 669-5430 • Fax: (847) 229-0526 • PowersControls.com
 Canada: Tel: (905) 332-4090 • Fax: (905) 332-7068 • PowersControls.ca
 Latin America: Tel: (52) 81-1001-8600 • PowersControls.com