

1918 WILLOW RUN™

MANSFIELD®


Wall-Mount, Vitreous China Lavatory

FEATURES

- 20-1/2" x 11-3/4" compact wall-mount lavatory
- 13-1/2" x 10" basin
- Concealed front overflow
- Available in 4" faucet center
- Drilled for concealed arm carrier
- Mansfield® limited lifetime warranty
- Available in White



COMPONENTS


MODEL #	DESCRIPTION	CODES/STANDARDS
1918	Commercial wall-mount lavatory with 4" faucet center. Complete with hanger and installation instructions. Includes holes under front corners for use with metal console base/legs. Less faucet, drain assembly and supply.	 C

1918 WILLOW RUN™



Wall-Mount, Vitreous China Lavatory

SPECIFICATIONS

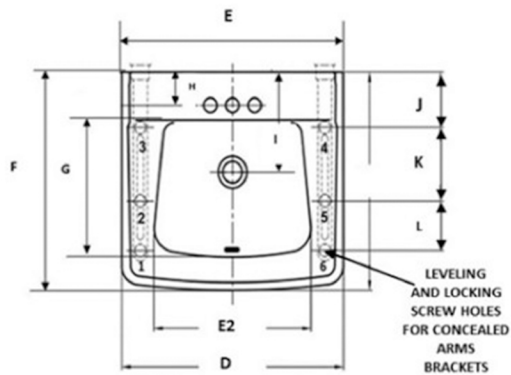
MODEL #	DESCRIPTION	CODES/STANDARDS
1918	Wall-mount, vitreous china lavatory	

MATERIAL	Vitreous China
WARRANTY	Vitreous China - Limited Lifetime

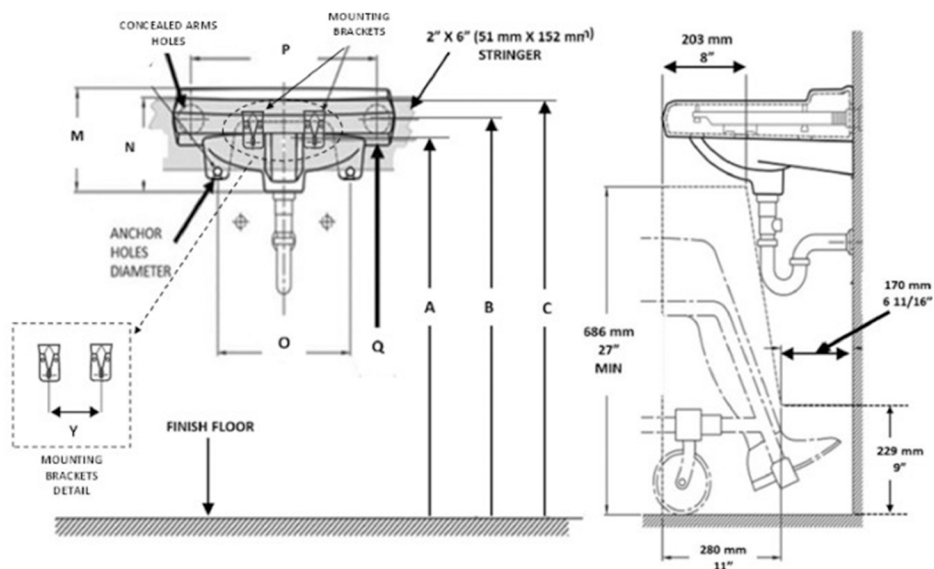
SHIPPING WEIGHT	Model 1918 - 38 lbs. (17 kg)
FAUCET HOLES	4"

TECHNICAL INFORMATION

Note: these dimensions are nominal and subject to change without notice.



CODE	mm	Inches	COMMENTS
A	765,0	30 1/8	TO CENTER OF SLOTS IN BRACKETS
B	830,0	32 11/16	TO CENTERLINE OF CARRIER ARMS
C	863,6	34	TO TOP FRONT CENTER OF LAVATORY
D	505,0	19 7/8	
E	521,0	20 1/2	
E2	357,0	14 1/16	
F	448,0	17 5/8	
G	269,0	10 19/32	
H	62,0	2 7/16	
I	197,0	7 3/4	
J	124,0	4 7/8	
K	138,5	5 7/16	
L	104,0	4 3/32	
M	230,0	9 1/16	
N	200,0	7 7/8	MEASURED AT FRONT CENTER OF LAVATORY
O	330,0	13	
P	430,0	16 15/16	
Q	58,5	2 5/16	CONCEALED ARM HOLES DIAMETER
Y	130,0	5 1/8	DISTANCE BETWEEN THE SLOTS OF HANGERS
1-6	26,0	1 1/32	LEVELING HOLES DIAMETER



Fixture performance and specifications meet or exceed ASME A112.19.2/CSA B45.1 standards, and other state and local codes.