

► **Code Number**

3370000

► **Description**

Exposed, Solar Powered, Sensor Activated Sloan SOLIS® Dual Flush Water Closet Flushometer for floor mounted or wall hung top spud bowls, with Smart Sense Technology™.

► **Flush Cycle**

Full Flush (Large Button) / 1.6 gpf/6.0 Lpf Reduced Flush (Small Button) / 1.1 gpf/4.2 Lpf

► **Specifications**

Quiet, Exposed, Diaphragm Type, Closet Flushometer for either left or right hand supply with the following features:

- Solar Powered. The sensor assembly is powered by a solar cell that will harvest power from artificial indoor light, either incandescent or fluorescent light, and use it as the energy source. The solar cell can provide approximately 100% power with 650 Illuminance (lux).
- Four (4) Size AA Battery Back-up Power Source
- "Low Battery" Flashing LED
- PERMEX® Synthetic Rubber Flex Tube Diaphragm with twin linear filtered bypass and vortex cleansing action
- Flex Tube Diaphragm designed for improved life and reduced maintenance
- ADA Compliant Sloan SOLIS® Electronic Dual Flush Solar Powered Infrared Sensor for automatic "No Hands" operation
- Infrared Sensor with Multiple-focused, Lobular Sensing Fields for high and low target detection
- Latching Solenoid Operator
- Engineered Metal Cover with replaceable Lens Window
- User friendly three (3) second Flush Delay
- Courtesy Flush® Override Button
- Infrared Sensor Range Adjustment Screw
- Sweat solder adapter with cover tube and cast wall flange with set screw
- Fixed Metering Bypass and No External Volume Adjustment to Ensure Water Conservation
- Handle Packing, Main Seat, Stop Seat and Vacuum Breaker Molded from PERMEX® Rubber Compound for Chloramine resistance

Valve Body, Tailpiece and Control Stop shall be in conformance with ASTM Alloy Classification for Semi-Red Brass. Valve shall be in compliance with the applicable sections of ASSE 1037. Installation conforms to ADA requirements.

- Flush accuracy controlled by CID® technology
- Spud Coupling and Flange for 1 1/2" Top Spud
- 1" I.P.S. Screwdriver Bak-Chek® Angle Stop with Free Spinning Vandal Resistant Stop Cap

► **Accessories (Sold Separately)**

See Accessories Section and SOLIS® flushometer Accessories Section of the Sloan catalog for details on these and other SOLIS® flushometer variations.



► **Smart Sense Technology™**

The Sloan SOLIS® Flushometer is equipped with Smart Sense Technology™ which applies logic techniques to significantly reduce water usage without user input. If the user is present for less than one minute a reduced flush is initiated.

► **Automatic Operation**

Sloan SOLIS® Solar powered, Single Flush Flushometers are activated via multi-lobular infrared sensor. By detecting user presence and duration, the Sloan SOLIS® Smart Sense Technology™ will determine the proper flush volume for unequalled water efficiency.

► **Manual Operation**

Sloan SOLIS® Solar powered Flushometers incorporate an intuitive button design for easy manual activation. Straightforward graphics alert user to proper activation. To further educate the user, two (2) instructional wall plates are included with each Sloan Solis® Flushometer.

► **Functional & Hygienic**

Touchless, sensor operation eliminates the need for user contact to help control the spread of infectious diseases.

► **Compliance & Certifications**



This space for Architect/Engineer Approval

► **ELECTRICAL SPECIFICATIONS**

Control Circuit

SLOAN 10500 SEYMOUR AVE. • FRANKLIN PARK, • IL. 60131

Ph: 1-800-9-VALVE-9 or 1-847-671-4300 • Fax: 1-800-447-8329 or 1-847-671-4380 • <http://www.sloan.com>

Solid State

6 VDC Input

8 Second Arming Delay

3 Second Flush Delay

Optional Sentinel Flush

Once Every 72 Hours After the Last Flush. Product shipped from factory with feature turned off. Consult factory to activate.

Sensor Type

Active Infrared

Sensor Range

Nominal 22" - 42" (559 mm - 1067 mm) Self-adaptive Window: ± 10" (254 mm)

Battery Back Up Type

(4) AA Alkaline

Battery Life

6 Years @ 4,000 flushes/month

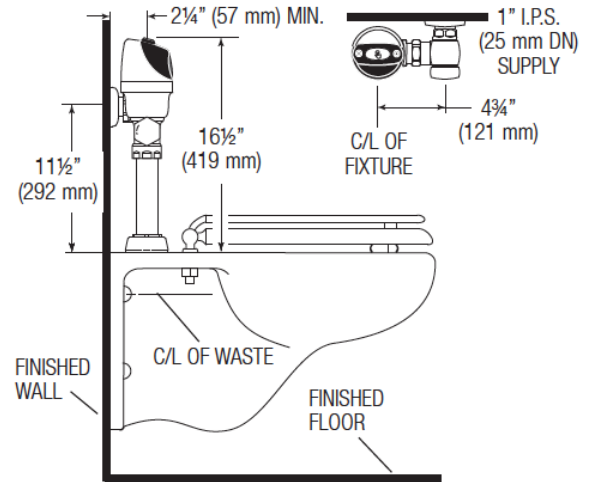
Indicator Lights

Range Adjustment

Operating Pressure

15 - 100 psi (104 - 689 kPa)

► ROUGH-IN



Model 8111

