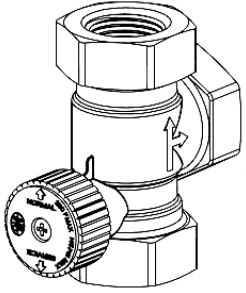


JOB:	REPRESENTATIVE:	
UNIT TAG:	ORDER NO.	DATE:
ENGINEER:	SUBMITTED BY:	DATE:
CONTRACTOR:	APPROVED BY:	DATE:



Hydrotrol™ Flow Control Valves

DESCRIPTION

The Hydrotrol (HT) flow control valve is used to prevent overheating of zones due to gravity flow in hydronic heating systems, and will permit summer-winter operation of an indirect water heater. The HT valve allows fluid to pass when the system or zone pumps start. When the system or zone pumps are not operating, the HT valve remains closed, preventing gravity circulation. The HT valve has an elastomer seal providing positive check. The HT valves feature a 1/2 turn knob that manually opens the valve for system draining or valve bypass. The HT valve can be installed in either the horizontal or vertical orientation.

OPERATIONAL DATA

Maximum Working Pressure: 150 PSI (10 BAR)
 Maximum Operating Temperature: 250°F (121°C)

CONSTRUCTION

Body: Brass
 Internal Components: Non-Ferrous

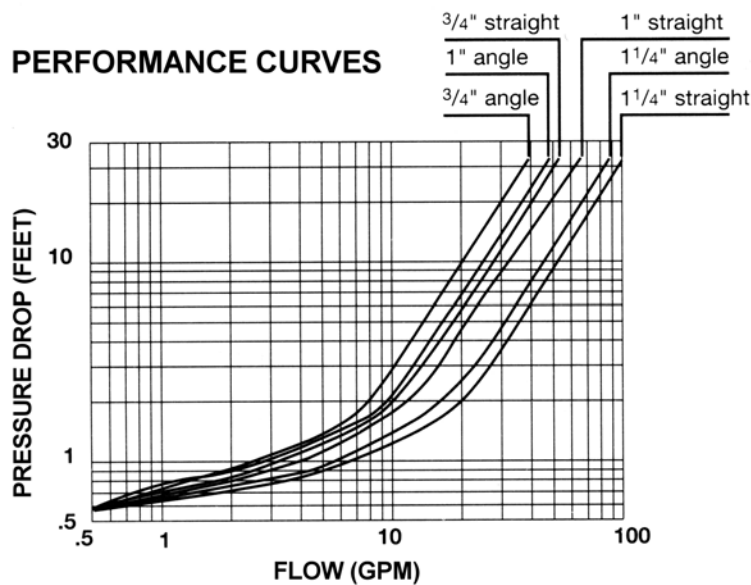
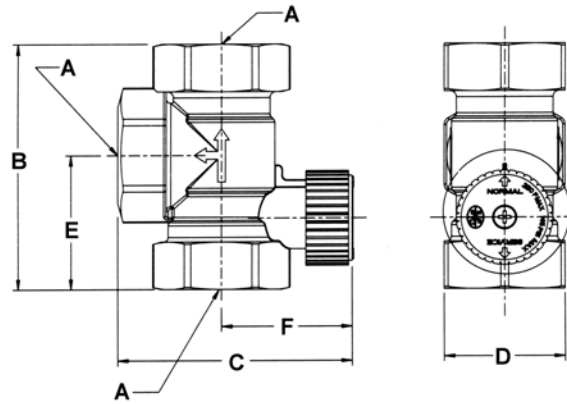
SCHEDULE

MODEL NUMBER	PART NUMBER	SIZE INCHES	TAGGING INFORMATION	QUANTITY
HT-3/4	107035	3/4"		
HT-1	107037	1"		
HT-1-1/4	107038	1-1/4"		

DIMENSIONS AND WEIGHTS

MODEL NUMBER	PART NUMBER	DIMENSIONS - INCHES (mm)						APPROX. SHPG. WT. LBS. (KG)
		A	B	C	D	E	F	
HT-3/4	107035	3/4" NPTF	3-3/16 (82)	3 (76)	1-9/16 (40)	1-3/4 (44)	1-11/16 (43)	1.3 (0.6)
HT-1	107037	1" NPTF	3-5/8 (93)	3-3/16 (82)	1-9/16 (40)	1-15/16 (50)	1-11/16 (43)	1.2 (0.5)
HT-1-1/4	107038	1-1/4" NPTF	4 (101)	3-11/16 (93)	1-11/16 (43)	2-1/4 (57)	1-7/8 (48)	1.8 (0.8)

Do not use for construction. Dimensions are approximate and subject to change. Contact factory for certified dimensions.



TYPICAL SPECIFICATIONS

Furnish and install as shown on plans a bronze body, straight-angle, flow control valve(s) suitable for 150 PSIG (10 Bar) working pressure at a maximum operating temperature of 250°F (121°C). The valve(s) shall have ___ NPTF connections, and be equipped with a spring actuated disc that provides positive check and prevents gravity circulation when the pump is not operating.

The valve shall feature a 1/2 turn knob that manually opens valve for system draining or valve bypass. Each valve shall be the Bell & Gossett Hydrotrol™ flow control valve, Model No. _____.

Xylem Inc.
 8200 N. Austin Avenue
 Morton Grove, IL 60053
 Phone: (847)966-3700
 Fax: (847)965-8379
www.xyleminc.com/brands/bellgossett

xylem
 Let's Solve Water