



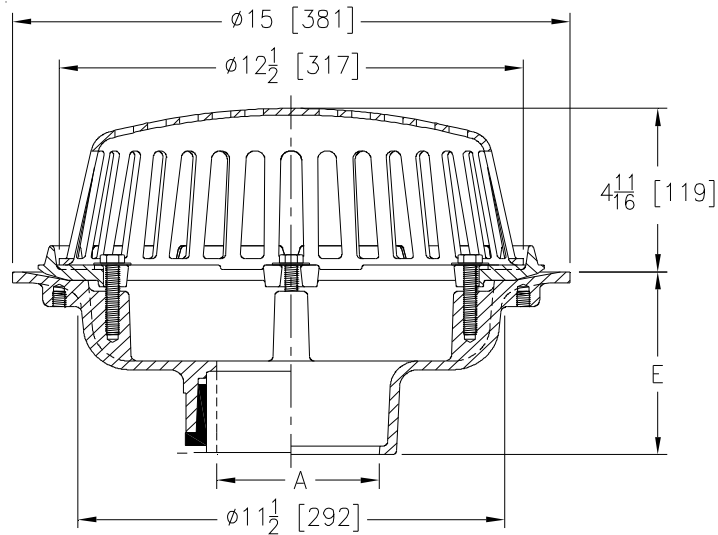
Z100

15 [381] DIAMETER MAIN ROOF DRAIN LOW SILHOUETTE DOME

SPECIFICATION SHEET

TAG _____

Dimensional Data (inches and [mm]) are Subject to Manufacturing Tolerances and Change Without Notice



A Pipe Size In.[mm]	Approx. Wt. Lbs. [kg]	Dome Open Area Sq. In. [cm ²]
2,3,4 [51,76,102]	26 [12]	103 [665]
6 [152]	27 [12]	
8 [203]	28 [13]	

ENGINEERING SPECIFICATION: ZURN Z100
15" [381mm] Diameter roof drain. Dura-Coated cast iron body with combination membrane flashing clamp/gravel guard and low silhouette Poly-Dome.

OPTIONS (Check/specify appropriate options)

PIPE SIZE

- 3, 4, 6 [76,102,152]
- 2, 3, 4, 6, 8 [51,76, 102, 152, 203]
- 2, 3, 4, 6, 8 [51,76, 102, 152, 203]
- 2, 3, 4 [51,76,102]
- 6 [152]

(Specify size/type) **OUTLET**

- _____ IC Inside Caulk
- _____ IP Threaded
- _____ NH No-Hub
- _____ NL Neo-Loc
- _____ NL Neo-Loc

E BODY HT. DIM.

- 5-1/4 [133]
- 3-3/4 [95]
- 5-1/4 [133]
- 4-9/16 [116]
- 5-7/16 [112]

PREFIXES

- _____ Z D.C.C.I. Body with Poly-Dome*
- _____ ZA D.C.C.I. Body with Aluminum Dome
- _____ ZC D.C.C.I. Body with Cast Iron Dome
- _____ ZRB D.C.C.I. Body with Plain Bronze Dome

SUFFIXES

- _____ -AC Angular Underdeck Clamp
- _____ -AR Acid Resistant Epoxy Coated
- _____ -AW 3/4 [19] to 4 [102] Adj. Water Level Regulator (Specify Height) (ZC Only)
- _____ -C Underdeck Clamp
- _____ -DE Deck Extension
- _____ -DP Top-Set® Deck Plate (Replaces both the -C and -R)
- _____ -DR Top-Set® Drain Riser
- _____ -E Static Extension 1 [25] thru 4 [102] (Specify Ht.)
- _____ -EA Adjustable Extension Assembly 2-1/8 [54] thru 3-1/2 [89]
- _____ -EB Top-Set® Adjustable Extension Assembly
- _____ -FG Flush Grate
- _____ -G Galvanized Cast Iron
- _____ -HD 6-3/4 [171] High Aluminum Dome Strainer (148 Sq. In. [955 cm²] Open Area) (ZA Only)
- _____ -R Roof Sump Receiver
- _____ -SC Secondary Clamp Collar
- _____ -SS Stainless Steel Mesh Screen Over Dome
- _____ -ST Dome with Solid Top (ZA & ZC Only)
- _____ -TC Neo-Loc Test Cap Gasket (2, 3, 4 [51, 76, 102] NL Bottom Outlet Only)
- _____ -VP Vandal-Proof Secured Top
- _____ -W2 2 [51] Internal Water Dam
- _____ -W3 3 [76] Internal Water Dam
- _____ -W4 4 [102] Internal Water Dam
- _____ -84 Stainless Steel Perforated Gravel Guard
- _____ -85 Stainless Steel Perforated Extension
- _____ -89 2 [51] High External Water Dam
- _____ -90 90° Threaded Side Outlet Body

* Regularly furnished unless otherwise specified.