

Job Name/Location:

Tag No.:

Date:

For:	File	Resubmit
	Approval	Other_____

PO No.:

Architect: _____ GC: _____

Engr: _____ Mech: _____

Rep: _____
(Company) (Project Manager)

LC489HHV
Single-Zone 3x3 Four-Way Ceiling Cassette with LGRED®
Outdoor Unit (ODU) - LUU480HHV, Indoor Unit (IDU) - LCN489HV



Performance:

Cooling:

Cooling Capacity (Min~Rated~Max, Btu/h)	19,200~ 48,000~53,000
SEER	17.50
EER	12.50

SEER - Seasonal Energy Efficiency Ratio EER - Energy Efficiency Ratio

Heating:

Heating Capacity (Min~Rated~Max, Btu/h)	19,000~52,000~61,000
HSPF	11.70
Max. Heating @ Indoor 70°F DB (Btu/h)	55,100
Outdoor 17°F WB	52,000
Outdoor 5°F WB	43,740
Outdoor -4°F WB	35,980
Outdoor -13°F WB	35,980

HSPF - Heating Seasonal Performance Factor Heating Nominal Test Conditions:
Cooling Nominal Test Conditions: Indoor: 70°F DB / 60°F WB
Indoor: 80°F DB / 67°F WB Outdoor: 47°F DB / 43°F WB
Outdoor: 95°F DB / 75°F WB

Electrical:

Power Supply (V~/Hz/Ø)	208-230/60/1
MOP (A)	40
MCA (A)	32
Cooling / Heating Rated Amps (A)	17.0 / 17.1
Compressor (A)	22
Fan Motor (IDU + ODU) (A)	1.3 + (1.6 x 2)
Cooling Power Input (Min~Rated~Max, kW)	1.09~3.84~5.82
Heating Power Input (Min~Rated~Max, kW)	1.40~3.85~6.20
Locked Rotor Amps (A)	33

MOP - Maximum Overcurrent Protection MCA - Minimum Circuit Ampacity

Piping:

Installed Liquid Pipe (in., O.D.)	3/8 Flare
Installed Vapor Pipe (in., O.D.)	5/8 Flare
IDU Liquid Connection (in., O.D.)	3/8 Flare
IDU Vapor Connection (in., O.D.)	5/8 Flare
Additional Refrigerant (oz./ft.)	0.43
Min. / Max. Pipe Length (ft.) ²	16.4 / 246
Piping Length (no add'l refriger., ft.)	24.9
Max. Elevation (ft.)	98.4

Features:

- Inverter (Variable Speed Compressor)
- Internal Condensate Pump
- Jet Cool / Jet Heat
- Auto Restart
- Auto Changeover
- Ultra-quiet Turbo Fan
- Night Quiet Function
- Optional Wi-Fi Control
- Drain Pan Heater
- Swirl Wind
- Direct / Indirect Wind
- Smart Mode
- Refresh Mode

Included Accessories:

- Wireless Remote Controller - AKB75735404

Required Accessories:

- Grille Kit - PT-AAGW0

Optional Accessories:

- Premium Controller - PREMTA000
- MultiSITE™ CRC1 - PREMTBVC0
- MultiSITE CRC1+ - PREMTBVC1
- MultiSITE Comm. Mgr. - PBACNBTR0A
- PI-485 - PMNFP14A1
- Dry Contact - PDRYCB320
- LonWorks® Gateway - PLNWKB100
- AC Smart 5 BACnet® Gateway - PACS5A000
- ACP 5 BACnet Gateway - PACP5A000
- Outside Air Flange - PTVK430
- Wi-Fi Module - PWFMD200
- Low Ambient Wind Baffle (Cooling operation to -4°F) - ZLABGP04A¹⁰

Operating Range:

Outdoor Unit:

Cooling (°F DB)	5 ~ 118
Heating (°F WB)	-13 ~ +64

Indoor Unit:

Cooling (°F WB)	57 ~ 77
Heating (°F DB)	59 ~ 81

System Data:

Refrigerant Type	R410A
Refrigerant Control	EEV
Refrigerant Charge (lbs.)	9.26
ODU Sound Pressure (Cooling / Heating) (±1 dB[A]) ³	54 / 56
IDU Sound Pressure (H/M/L/SL) (±1 dB[A]) ³	46 / 43 / 41 / 39
ODU Net / Shipping Weight (lbs.)	210.9 / 234.1
IDU Net / Shipping Weight (lbs.)	59.5 / 70.5
Grille Net Weight (lbs.)	15.6
Heat Exchanger Coating	GoldFin™

Fan:

ODU Type	Propeller
IDU Type	Turbo
Fan Speeds (Fan/Cool/Heat)	4 / 5 / 5
Quantity (ODU + IDU)	2 + 1
Motor/Drive	Brushless Digitally Controlled/Direct
Maximum ODU Air Volume (CFM)	4,238
IDU Air Flow (CFM Max./H/M/L)	1,483 / 1,130 / 953 / 812
Dehumidification (pts./hr.)	9.74

Notes:

1. Acceptable operating voltage: 187V-253V.
2. Piping lengths are equivalent.
3. Sound Pressure levels are tested in an anechoic chamber under ISO Standard 3745.
4. All communication / connection (power) cable from the outdoor unit to the indoor unit is field supplied and must be a minimum of four-conductor, 14 AWG, stranded, shielded or unshielded (if shielded, it must be grounded to the chassis of the outdoor unit only), and must comply with applicable local and national codes.
5. See Engineering Manual for sensible and latent capacities.
6. Power wiring cable size must comply with the applicable local and national code.
7. This unit comes with a dry helium charge.
8. This data is rated 0 ft. above sea level, with 24.6 ft. of refrigerant line and a 0 ft. level difference between outdoor and indoor units.
9. Must follow installation instructions in the applicable LG installation manual.
10. If the optional low ambient wind baffle (ZLABGP04A) is used, one wind baffle is required for each ODU fan.

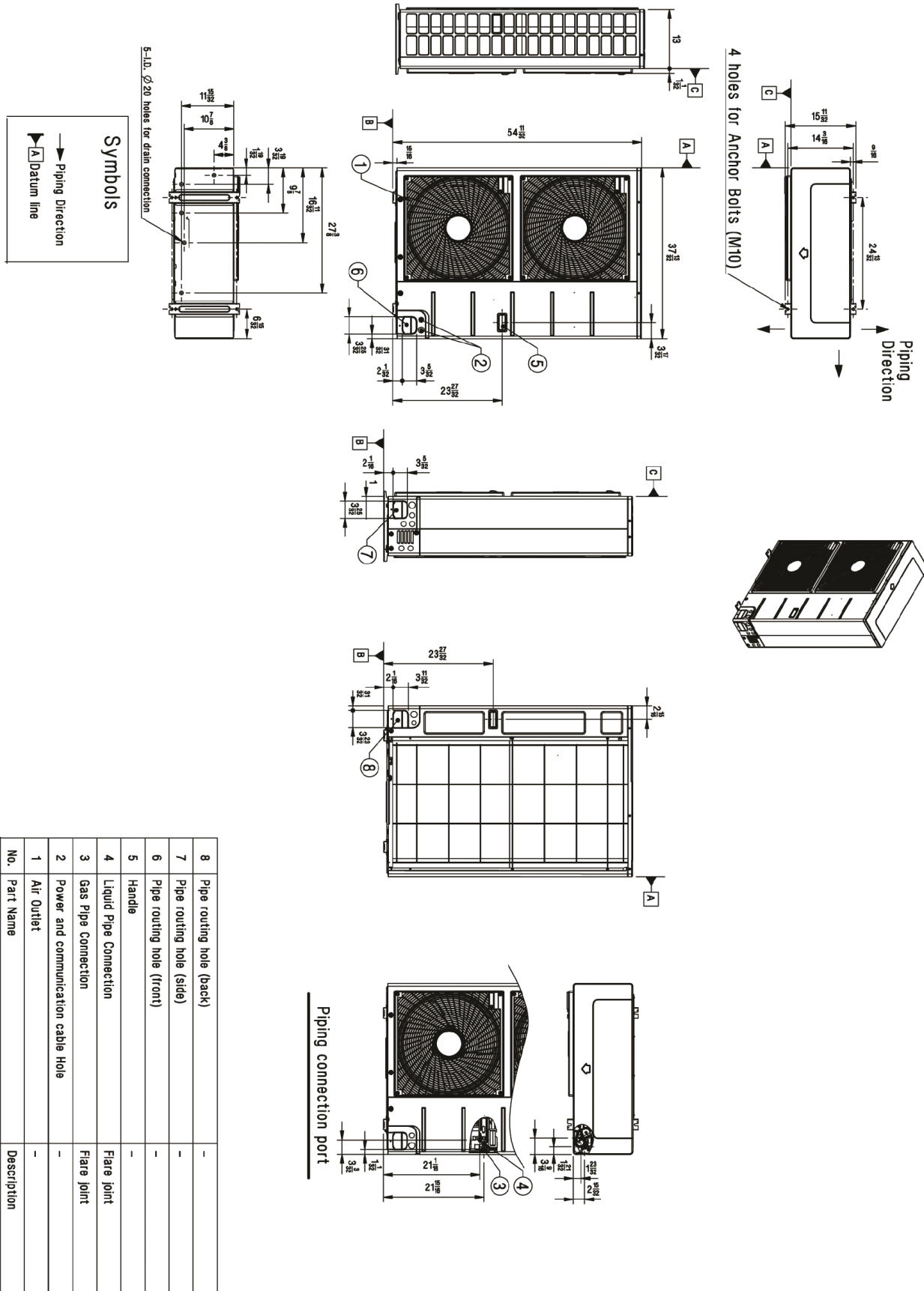
BACnet® is a registered trademark of ASHRAE. LonWorks® is a trademark of Echelon Corporation.



LC489HHV
Single-Zone 3x3 Four-Way Ceiling Cassette with LGRED®
 Outdoor Unit (ODU) - LUU480HHV, Indoor Unit (IDU) - LCN489HV



Tag No.: _____
 Date: _____
 PO No.: _____



LC489HHV
Single-Zone 3x3 Four-Way Ceiling Cassette with LGRED®
 Outdoor Unit (ODU) - LUU480HHV, Indoor Unit (IDU) - LCN489HV



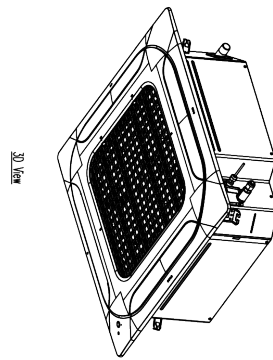
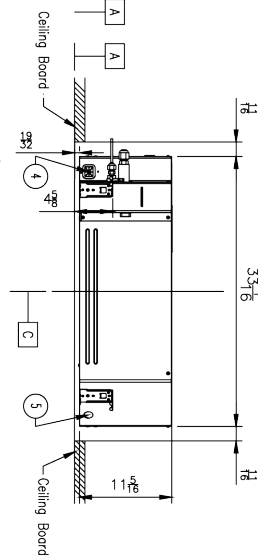
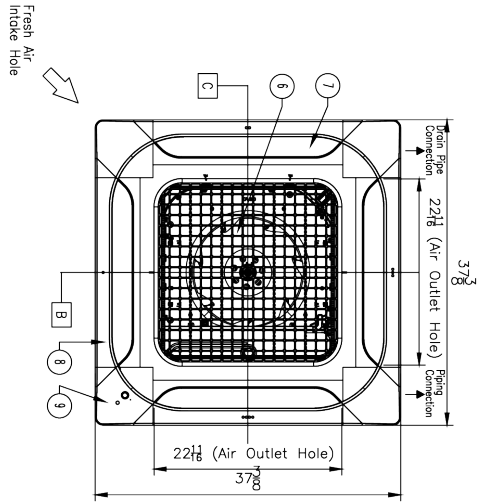
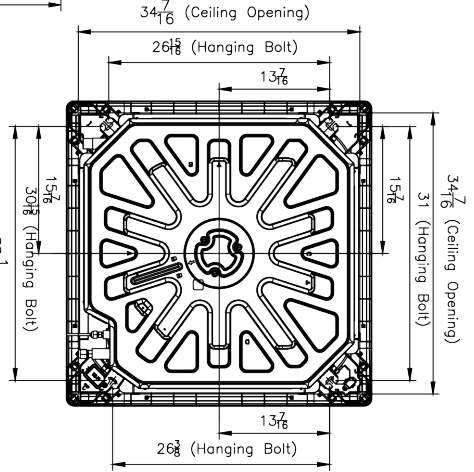
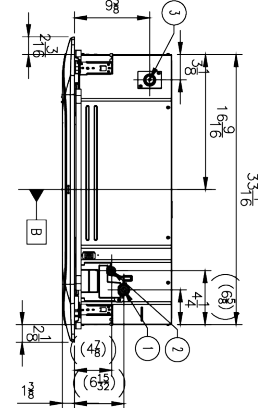
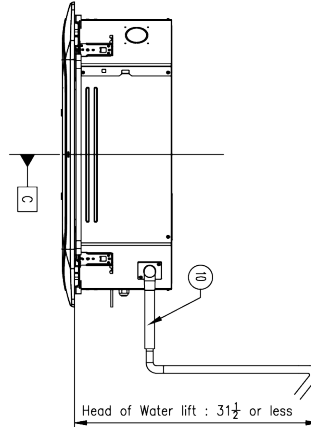
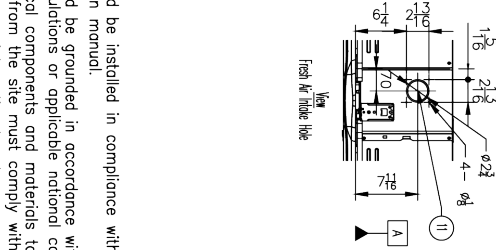
Tag No.: _____

Date: _____

PO No.: _____

[Unit: inch]

- Note:**
1. Unit should be installed in compliance with the installation manual.
 2. Unit should be grounded in accordance with the local regulations or applicable national codes.
 3. All electrical components and materials to be supplied from the site must comply with the local regulations or international codes.



No.	Part Name	Description
11	Fresh Air Intake Hole	Knock-out type
10	Flexible Drain Hose	Supplied with product
9	Decoration Corner Cover	Supplied with panel
8	Decoration Panel (Accessory)	PF*-WA**W
7	Air Outlet	-
6	Air Inlet	-
5	Wired remote controller wire routing hole	-
4	Power and communication cable routing hole	-
3	Drain Pipe Connection	-
2	Liquid Pipe Connection	-
1	Gas Pipe Connection	-