



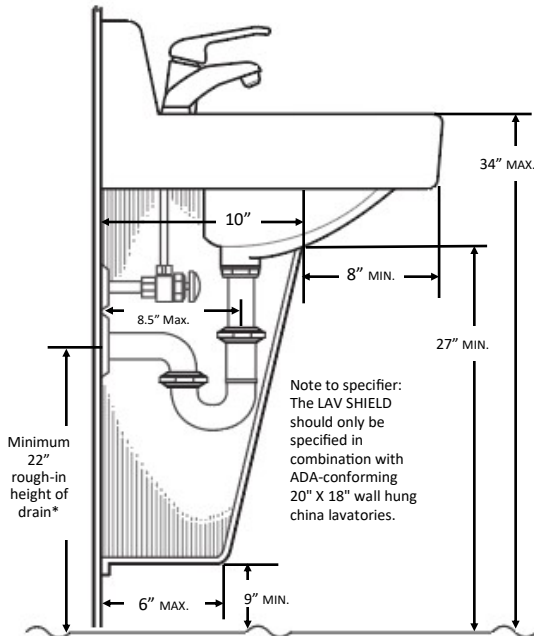
SPECIFICATION

LAV SHIELD®

General Description:

LAV SHIELD® rigid enclosure is dimensionally engineered to comply with ADA requirements, design aesthetics and mechanical cooperation. LAV SHIELD conceals electronic faucet components, mixing valves, trap primers and instantaneous water heaters*, eliminating vandalism while allowing wheelchair accessibility under lavatories. Available in the standard model for field fit applications or may be ordered as a factory pre-cut which closely follows the underside contours of the lavatory specified.

*Lavatory "rough in" should be considered to allow mounting room for water heater behind enclosure. Contact TRUEBRO for specifications.



*Less than 22" rough-in height, certain job conditions or certain lavatories may require an offset tailpiece or offset grid strainer.

Material	Rigid high-impact, stain-resistant, PVC
Nominal Wall	.093"
Finish	Fine haircell
UV Protection	Will not fade or discolor
Durability	Virtually indestructible
Fasteners	7 stainless steel screws and wall anchors provided
Color	China white
Compatibility	Fits all ADA-conforming 20" x 18" wall-hung china lavatories
Paintability	Apply acrylic enamel or Latex
UL Listing	In accordance with ADA Standards
Flammability	UL-94 V-0, 5VA ASTM D-635-91 4 (ATB) 2.1 (AEB)
Bacterial/Fungal Resistance	ASTM G21 and G22/Result 0



U.S. and Canadian patents: D373,412 D372,077
D384,732 D393,700 D390643 79,064 79,063

LAV SHIELD Model #2018 — Standard (to be Field Fit)

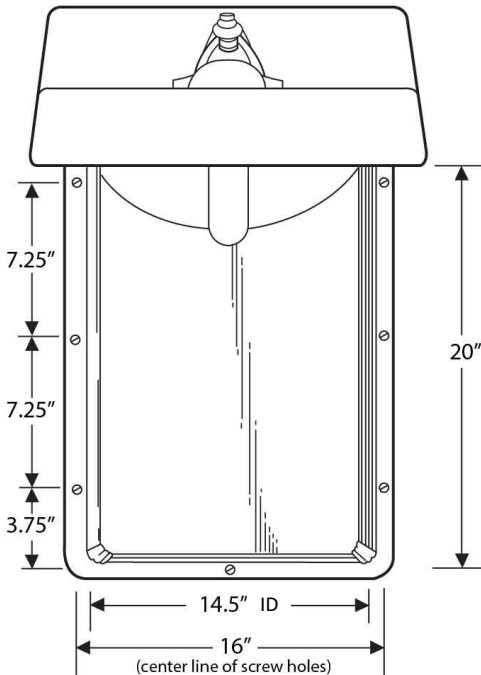
LAV SHIELD Factory Pre-cuts Available:

Please note: Pre-cut Lav Shields are not returnable.

- Model #2018-AS-C – Am.Std. Comrade
- Model #2018-AS-D – Am.Std. Declyn
- Model #2018-AS-L – Am.Std. Lucerne
- Model #2018-AS-M – Am.Std. Muro
- Model #2018-AS-OL – Am.Std. Old Lucerne
- Model #2018-AS-P – Am.Std. Penlyn
- Model #2018-AS-R – Am.Std. Roxalyn
- Model #2018-BD-I – Bradley Imperial
- Model #2018-BR-M – Briggs Milton
- Model #2018-BR-W – Briggs Whitman
- Model #2018-CR-H – Crane Harwich
- Model #2018-CR-N – Crane Norwich
- Model #2018-CR-W – Crane Westmont
- Model #2018-CR-Y – Crane Yorkshire
- Model #2018-EL-B – Eljer Blair
- Model #2018-EL-D – Eljer Delwyn
- Model #2018-EL-M – Eljer Mayburne
- Model #2018-EL-S – Eljer Signature
- Model #2018-EL-U – Eljer Bucknell
- Model #2018-GR-H – Gerber Hayes
- Model #2018-GR-M – Gerber Monticello
- Model #2018-GR-P – Gerber Plymouth
- Model #2018-KO-B – Kohler Braham
- Model #2018-KO-C – Kohler Chesapeake
- Model #2018-KO-G – Kohler Greenwich
- Model #2018-KO-H – Kohler Hudson
- Model #2018-KO-K – Kohler Kingston
- Model #2018-KO-P – Kohler Pinoir
- Model #2018-KO-S – Kohler Soho
- Model #2018-MAN – Mansfield Grand Isle
- Model #2018-TO-L – Toto LT307
- Model # 2018-ZN-Z – Zurn #Z5344
- Model # 2018-ZN-NZ – Zurn #Z5344

Note: All Lav Shields come with standard fasteners.

- Model # TRFAST Tamper-resistant screws (Torx Head Screws)
- Special Pre-Cut Request: _____



Job/Location: _____

Designer: _____

