

INSTALLATION INSTRUCTIONS

Drain Pan Overflow Switch Kit #11U75

Save these instructions for future reference.

WARNING

Improper installation, adjustment, alteration, service or maintenance can cause injury or property damage. Refer to this manual. For assistance or additional information, consult a qualified installer or service agency.

WARNING

As with any mechanical equipment, personal injury can result from contact with sharp sheet metal edges. Be careful when you handle this equipment.

WARNING

If these instructions and/or codes are not followed or if the equipment is not properly installed, possible injury or death could occur during installation or operation.

These instructions are intended as a general guide only, for use by qualified personnel and do not supersede any national or local codes in any way. Installation must conform with the local building codes and with the latest editions of the National Electrical Code.

Read these instructions thoroughly before starting installation. Only qualified installers or technicians should install the float switch section and all other equipment used in HVAC systems. Federal, state, and local codes must be followed when installing this or any other HVAC equipment.

Be sure to disconnect all power to the unit while installing and servicing this equipment. Use proper tools and protective equipment during installation and service.

KIT CONTENTS:

Package 1 of 1 contains the following:

- 1 - Float Switch
- 2 - Wire Nuts
- 1 - Float Switch Bracket
- 1 - Wire Tie



(P) 507424-01

⚠ WARNING

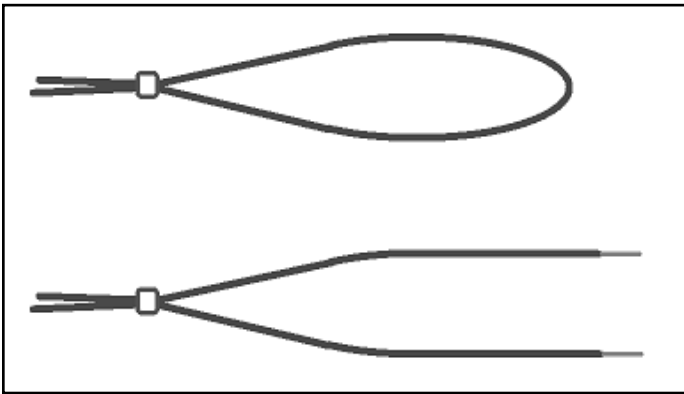
Disconnect all power to the unit before installation of the float switch.

Wire Connection:

Remove the upper side service door for access to the blower/indoor coil area.

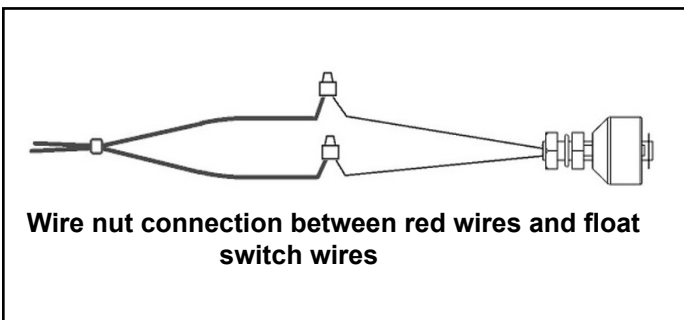
In the unit's wire harness, a red wire connecting 24 volt transformer power to thermostat is available to attach the float switch in line with control circuit. This red wire exists in a loop and can be found in the blower compartment along the end of the harness leading to the blower.

Cut the loop of the red wire to break the circuit, and strip the insulation from the now, two, red wires.



Red wire shown before and after the loop is cut.

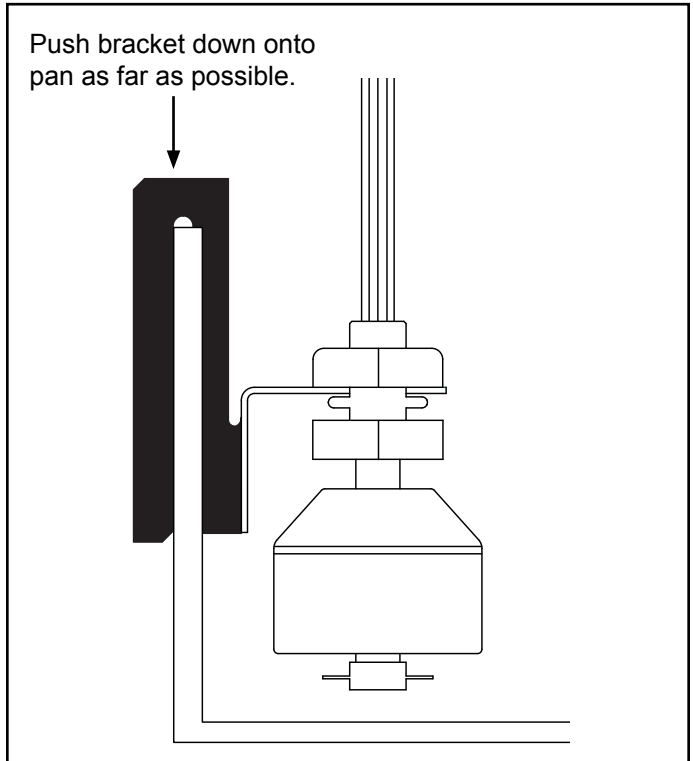
Wire nut one wire from the float switch to one of the red wires as seen below. Do the same for the second float switch wire. It is recommended the wire nut connections be sealed with electrical tape to minimize exposure to moisture.



Wire nut connection between red wires and float switch wires

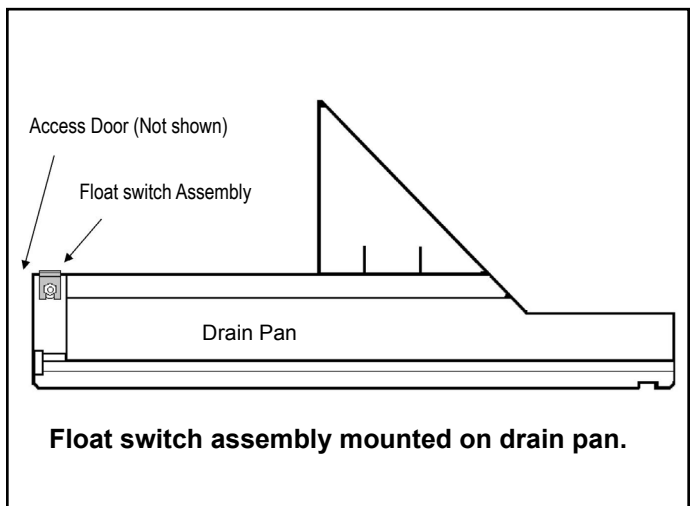
Fastening the float switch assembly to the drain pan:

For easiest installation, loosen the nut at the top of the float switch stem. Do not fully remove the nut in order to reduce the chance of misplacing the nut. Once loosened, insert the switch into the bracket's slot with the bracket resting on top of the O-Ring as shown below. Once confirmation of contact between the stem and bracket has been made, hand tighten the nut to the bracket. Verify the switch is secure in the metal bracket.



Once the switch has been securely fastened to the bracket, the assembly can be mounted to the end of the drain pan as seen below. Be sure to push the bracket down onto the pan as far as possible.

NOTE: The u-clip of the bracket may need to be squeezed tight to prevent the switch from moving once the unit is installed and operating.



Once the wires have been connected and the bracket is securely in place, bundle and wire tie any excessive wire to the motor mount to avoid the chance of the blower inhaling the wires.

Before closing the access panel to blower/coil compartment:

For proper operation of the float switch, it is important that the air conditioning unit is level and not pitched away from the float switch end of the drain pan. If the unit is pitched away from the float switch, it is possible that the drain pan will overflow without the float switch functioning. Unit should be level or slightly pitched toward the drain connection. Level must be checked and corrected if necessary for proper float switch operation.

If the condensate drain system causes water to back up in the drain pan, it is possible to cause the float switch to function. Check condensate drain plumbing and verify the piping, fittings, or trap does not cause water to lie in the sump area of the float switch portion of the drain pan during normal operation (no plugged drain line).

Before closing the blower/coil access door, the operation of the float switch should be checked. This can be done by carefully reconnecting the power to the unit. Set the thermostat for continuous fan and the blower should begin operation. Then carefully lift the float of float switch, which should interrupt the blower operation until the float is allowed to fall to the down position once again.

Maintenance

During normal maintenance of the unit, while the blower/coil access door is open, the float switch and drain pan should be checked and cleared of any debris that could hinder the float from rising or falling on the float switch stem.