

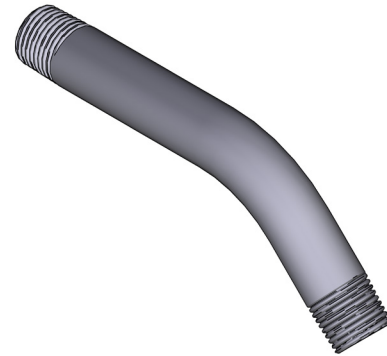
## SPECIFICATIONS

### DESCRIPTION

- Stainless Steel construction

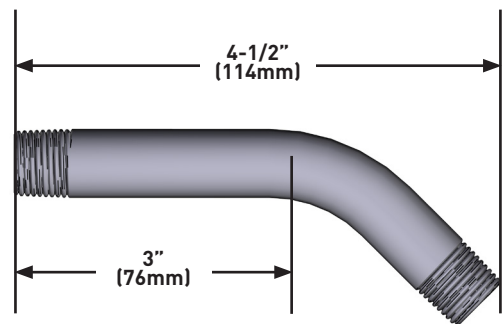
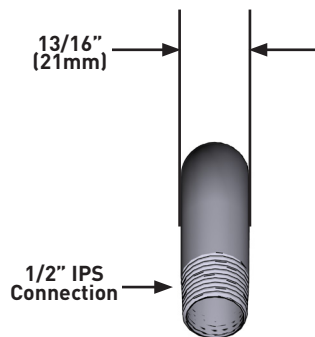
### WARRANTY

- Lifetime limited warranty against leaks, drips and finish defects to the original consumer purchaser
- 10 year limited warranty when used in a multifamily installation
- 5 year limited warranty when used in a commercial installation



Shower Arm

**MODEL:** 10154



**CRITICAL DIMENSIONS** DO NOT SCALE