



TriangleTube

# THE Challenger

## Combination Boiler and/or Water Heater User's Information Manual



### **! WARNING**

To maintain the safety & longevity of your appliance read and follow the maintenance schedule information throughout this manual.

### **! WARNING**

If the information in this manual is not followed exactly, a fire or explosion may result causing property damage, personal injury or loss of life.

### **FOR YOUR SAFETY**

- Do not store or use gasoline or other flammable vapors and liquids in the vicinity of this or any other appliance.
- **WHAT TO DO IF YOU SMELL GAS**
  - Do not try to light any appliance
  - Do not touch any electrical switch; do not use any phone in your building.
  - Immediately call your gas supplier from a neighbor's phone. Follow the gas supplier's instructions.
  - If you cannot reach your gas supplier, call the fire department.

Installation and service must be performed by a qualified installer, service agency or the gas supplier.

---

## Table of Contents

---

**PRODUCT & SAFETY INFORMATION** Page 1-2

---

Service and Maintenance  
CHALLENGER Operation  
Appliance & System Water

**SECTION I - Combustion Air - Prevention of Contamination** Page 3

---

Potential Contaminating Products  
Areas likely to find these Products

**SECTION II - Maintenance Schedule** Page 4

---

Service Technician  
Owner Maintenance

**SECTION III - Maintenance Procedures** Page 5

---

Periodic Maintenance  
Monthly Maintenance  
6-Month Maintenance

**SECTION IV - Operations Instructions** Page 8

---

**SECTION V - Appliance Control Display** Page 9

---

**Replacement Parts** Page 14

---

---

## Product & Safety Information

### Definitions

The following terms are used throughout this manual to bring attention to the presence of potential hazards or important information concerning the product.

 **DANGER**

Indicates the presence of a hazardous situation which, if ignored, will result in death, serious injury or substantial property damage.

 **WARNING**

Indicates a potentially hazardous situation which, if ignored, can result in death, serious injury or substantial property damage.

 **CAUTION**

Indicates a potentially hazardous situation which, if ignored, may result in minor injury or property damage.

**NOTICE**

Indicates special instructions on installation, operation or maintenance, which are important to equipment but not related to personal injury hazards.

**BEST PRACTICE**

Indicates recommendations made by ACV-Triangle Tube for the installers which will help to ensure optimum operation and longevity of the equipment.

**NOTICE**

ACV-Triangle Tube reserves the right to modify the technical specifications and components of its products without prior notice.

## Product & Safety Information

### PRODUCT & SAFETY INFORMATION

#### WARNING

**HOMEOWNER:** The CHALLENGER installation manual is for use only by a qualified heating installer / service technician. Refer to this User's Information Manual for your reference. Failure to comply could result in severe personal injury, death or substantial property damage.

#### WARNING

A byproduct of any gas fired appliance (stove, fire-place, clothes dryer, water heater, furnace, boiler, etc.) is carbon monoxide. In the absence of any state or local codes requiring the installation of carbon monoxide detector and alarms, ACV-Triangle Tube recommends the following:

- Installation of a carbon monoxide detector and alarm that is wired on same electrical circuit as the boiler.
- Installation of a carbon monoxide detector and alarm on each level of the building where there are bedrooms and in the living area outside the bedrooms.
- Installation of a carbon monoxide detector and alarm in the room that houses the appliance.
- Installation of a carbon monoxide detector and alarm with battery back up.
- Installation of a carbon monoxide detector and alarm that complies with NFPA 720.

#### WARNING

**ACV-Triangle Tube accepts no liability for any damage injury or loss of life resulting from incorrect installation, from alteration of any factory supplied parts or from the use of parts or fittings not specified by ACV-Triangle Tube, if there is a conflict or doubt about the proper installation/operation of the unit or any factory supplied or replacement parts, please contact a qualified heating installer/service technician.**

#### **NOTICE**

**TECHNICIAN:** When calling or writing about the CHALLENGER, please have the appliance model and serial number available.

#### **STOP! READ BEFORE SERVICING**

#### WARNING

Failure to adhere to the guidelines on this page can result in severe personal injury, death or substantial property damage.

#### **Service and Maintenance**

- To avoid electric shock, disconnect electrical supply before performing service or maintenance.
- Allow the appliance to cool down prior to servicing to avoid severe burns.
- The CHALLENGER must be maintained as outlined in this manual and have at least annual service performed by a qualified service technician to ensure appliance / system reliability.

#### **CHALLENGER Operation**

- Do not block flow of combustion air to the CHALLENGER. If the combustion air blockage is easily accessible and removable, then remove it. If blockage is not obvious or cannot be removed, have the appliance and system checked by a qualified service technician.
- Do not allow contaminated air to enter the appliance's combustion air inlet. See page 3 for details.
- The CHALLENGER is equipped with a low water cut off device. The CH (central heating) system piping must be filled and pressurized to 12 psig [0.8 bar] prior to startup. The appliance will shut down if the pressure falls below 7 psig [0.5 bar].
- Should overheating occur or the gas supply fail to shut off, DO NOT turn OFF or disconnect the electrical supply to the pump. Instead, shut off the gas supply at a location external to the appliance.
- Do not use this appliance if any part has been under water. Immediately call a qualified service technician to inspect the appliance and to replace any part of the control system and any gas control, which has been under water.

---

---

### **Appliance & System Water**

- Have the appliance and system water chemistry checked at least annually by a qualified service technician.
- Do not use petroleum-based cleaning or sealing compounds in the appliance or system. Gaskets and seals in the system may be damaged. This can result in substantial property damage.
- Do not use any product not specifically designed for hydronic heating systems. Serious damage to the appliance, piping system, personnel and / or property may result.
- Continual fresh makeup water will reduce the life of the CHALLENGER. Addition of oxygen can cause internal corrosion in the system components. All leaks in the piping system must be repaired at once to prevent makeup water.
- Do not add cold water to a hot appliance. Thermal shock can cause premature failure to the appliance heat exchanger.

## Combustion Air - Prevention of Contamination

### SECTION I - COMBUSTION AIR - PREVENTION OF CONTAMINATION



If the **CHALLENGER** combustion air inlet is located in any area likely to cause or contain contamination, or if products, which would contaminate the air cannot be removed, the combustion air must be re-piped and terminated to another location. Contaminated combustion air will damage the appliance and its burner system, resulting in possible severe personal injury, death or substantial property damage.



Do not operate a **CHALLENGER** if its combustion air inlet or the appliance is located in or near a laundry room or pool facility. These areas will always contain hazardous contaminants.

Pool and laundry products and common household and hobby products often contain fluorine or chlorine compounds. When these chemicals pass through the burner and vent system, they can form strong acids. These acids can create corrosion of the heat exchanger, burner components and vent system, causing serious damage and presenting a possible threat of flue gas spillage or water leakage into the surrounding area.

Please read the following information. If contaminating chemicals will be present near the location of the combustion air inlet, the installer should pipe the combustion air inlet to another location per the **CHALLENGER** installation manual.

### Potential Contaminating Products

- Spray cans containing chloro/fluorocarbons
- Permanent Wave Solutions
- Chlorinated wax
- Chlorine - based swimming pool chemicals and spa cleaners
- Calcium Chloride used for thawing ice
- Sodium Chloride used for water softening
- Refrigerant leaks
- Paint or varnish removers
- Hydrochloric acid / muriatic acid
- Cements and glues
- Antistatic fabric softeners used in clothes dryers
- Chlorine-type bleaches, detergents, and cleaning solvents found in household laundry rooms
- Adhesives used to fasten building products and other similar products

### Areas likely to find these products

- Dry cleaning / laundry areas and establishments
- Beauty salons
- Metal fabrication shops
- Swimming pools and health spas
- Refrigeration Repair shops
- Photo processing plants
- Auto body shops
- Plastic manufacturing plants
- Furniture refinishing areas and establishments
- New building construction
- Remodeling areas
- Garages with workshops

---

## Maintenance Schedule

---

### SECTION II - Maintenance Schedule

#### Service Technician

At least on an annual basis the following maintenance should be performed by a qualified service technician:

#### General

- Attend to any reported problems.
- Inspect the interior of the appliance jacket area; clean and vacuum if necessary.
- Clean the condensate drain assembly and fill with fresh water.
- Check for leaks: water, gas, flue and condensate.
- Verify flue vent piping and air inlet piping are in good condition, sealed tight and properly supported.
- Check appliance water pressure, piping and expansion tank.
- Check control settings.
- Check ignition electrode (sand off any white oxide; clean and reposition).
- Check ignition wiring and ground wiring.
- Check all control wiring and connections.
- Check burner flame pattern (stable and uniform).

#### Additional items if combustion or performance is poor:

- Clean heat exchanger and flue ways.
- Remove burner assembly and clean burner head using compressed air only.

Once the maintenance items are completed, review the service with the owner.

#### Owner Maintenance

##### Periodic

- Check the area around the appliance.
- Check and remove any blockage from the combustion air inlet and ventilation openings.
- Check the temperature/pressure gauge.

##### Monthly:

- Check vent piping.
- Check combustion air inlet piping.
- Check the pressure relief valve.
- Check the condensate drain assembly.

##### Every 6 months:

- Check appliance piping and gas supply piping for corrosion or potential signs of leakage.
- Operate the pressure relief valve.



**Follow the maintenance procedures given throughout this manual. Failure to perform the service and maintenance or follow the directions in this manual could result in damage to the CHALLENGER or in system components, resulting in severe personal injury, death or substantial property damage.**

## Maintenance Procedures

### SECTION III - MAINTENANCE PROCEDURES



The **CHALLENGER** must be inspected and serviced annually, preferably at the start of the heating season, by a qualified service technician. In addition, the maintenance and care of the appliance as outlined on page 4 and further explained on pages 5 through 7 must be performed to assure maximum efficiency and reliability of the appliance. Failure to service and maintain the **CHALLENGER** and the system components could result in equipment failure, causing possible severe personal injury, death or substantial property damage.

#### **NOTICE**

The following information provides detailed instruction for completing the maintenance items outlined in the maintenance schedule on page 4. In addition to this maintenance, the **CHALLENGER** should be serviced at the beginning of the heating season by a qualified service technician.

### Periodic Maintenance

#### Check the Surrounding Area



To prevent potential of severe personal injury, death or substantial property damage, eliminate all the materials listed on page 3 from the area surrounding the appliance and from the vicinity of the combustion air inlet. If contaminants are found:

Remove products immediately from the area. If they have been there for an extended period, call a qualified service technician to inspect the appliance for possible damage from acid corrosion.

If products cannot be removed, immediately call a qualified service technician to re-pipe the combustion air inlet piping and locate the combustion air intake away from the contaminated areas.

1. Combustible / flammable materials - Do not store combustible materials, gasoline or other flammable vapors or liquids near the appliance. Remove immediately if found.
2. Air contaminates - Products containing chlorine or fluorine, if allowed to contaminate the combustion air, will cause acidic condensate within the appliance. This will cause significant damage to the appliance. Read the list of potential materials listed on page 3 of this manual. If any of these products are in the room from which the appliance takes its combustion air, they must be removed immediately or the combustion air intake must be relocated to another area.

#### Check Combustion Air Inlets

1. Verify that ventilation air openings to the mechanical room are open and unobstructed.
2. Verify that the appliance's vent termination and combustion air intake are clean and free of obstructions. Remove any debris on the air intake or flue exhaust openings. If removing the debris does not allow the appliance to operate correctly, contact your qualified service technician to inspect the appliance and the vent / combustion air system.

#### Check Temperature Display and Pressure Gauge

1. Ensure the pressure reading on the pressure gauge does not exceed 25 psig [1.7 bar]. Higher pressure readings may indicate a problem with the expansion tank.
2. Ensure the temperature on the display panel does not exceed 194°F [90°C]. Higher temperature readings may indicate a problem with the operating thermostat controls.
3. Contact a qualified service technician if problem persists.

### Monthly Maintenance

#### Check Vent Piping

1. Visually inspect the entire length of flue gas vent piping including all joints and appliance adapter for any signs of blockage, leakage or deterioration of gaskets or piping. Notify a qualified service technician immediately if any problems are found.



## Maintenance Procedures

### WARNING

Failure to inspect the venting system as noted and have it repaired by a qualified service technician can result in the vent system failure, causing severe personal injury or death.

#### Check Combustion Air Inlet Piping

1. Visually inspect the combustion air inlet piping for any signs of blockage. Inspect the entire length of the combustion air inlet piping to ensure piping is intact and all joints are properly sealed.
2. Notify a qualified service technician if any problems are found.

#### Check Pressure Relief Valve

1. Visually inspect the primary pressure relief valve and the relief valve discharge pipe for signs of weeping or leakage.
2. If the pressure relief valve often weeps, the expansion tank may not be operating properly. Immediately contact a qualified service technician to inspect the unit and system.

#### Check Condensate Drain Trap Assembly

1. Ensure condensate drain trap assembly is firmly secured to bottom of heat exchanger/unit. See Fig. 1.

### WARNING

Do not operate CHALLENGER without condensate drain trap assembly firmly installed on unit and filled with water. If the trap is not installed and full of water flue gases can be emitted into the surrounding area causing severe personal injury or death.

2. While the appliance is operating, check the discharge end of the condensate drain tubing. Ensure no flue gas is leaking from the condensate drain tubing by holding your fingers near the opening.
3. If you notice flue gas leaking from the opening, this indicates a dry condensate drain trap. Fill the condensate trap assembly. Contact a qualified service technician to inspect the appliance and condensate line and refill the condensate trap if problem persists regularly.
4. Ensure the condensate drain line is not blocked by pouring water through the condensate drain assembly. The water should flow out of the end

of the drain line. If water does not appear at the end of the drain line, contact a qualified service technician to inspect and clean the condensate line.

5. To fill the condensate drain assembly, if necessary slowly pour water into the top of the trap assembly until water appears at the end of the drain line. Stop filling.

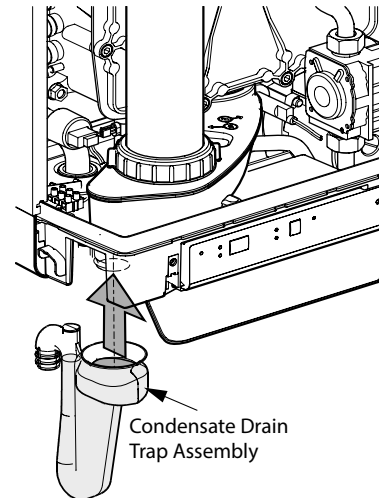


Fig. 1: Condensate Drain Trap Assembly

#### Check Automatic Air Vents (If Used)

1. Remove the cap "A" from any automatic air vent in the system and check operation by depressing valve "B" slightly with the tip of a screwdriver. See Fig. 2.
2. If the air vent valve appears to be working freely and not leaking, replace cap "A", screwing it on fully.
3. Have the air vent replaced by a qualified service technician if it does not operate correctly.

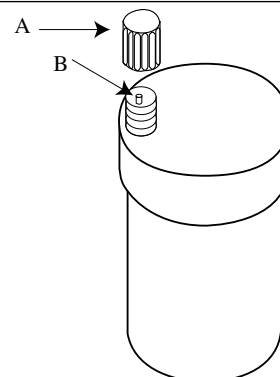


Fig. 1: Automatic Air Vent

---

## Maintenance Procedures

---

### 6-Month Maintenance

#### Check Water and Gas Piping

1. Remove the appliance front jacket panel and perform a gas leak inspection per steps 1 through 6 of the Operating Instructions on page 8. If gas odor or leak is detected, immediately shut down the appliance following procedures on page 8. Call a qualified service technician.
2. Visually inspect for leaks around the internal appliance water connections and around the heat exchanger. Visually inspect the external system piping, circulators, and system components and fittings. Immediately call a qualified service technician to repair any leaks.



**Have leaks fixed at once by a qualified service technician. Failure to comply could result in severe personal injury, death or substantial property damage.**

#### Operate Pressure Relief Valve

1. Before proceeding, verify that the relief valve outlet has been piped to a safe place of discharge, avoiding any possibility of scalding from hot water.



**To avoid water damage or scalding due to valve operation, a discharge line must be connected to the relief valve outlet and directed to a safe place of disposal. This discharge line must be installed by a qualified service technician or heating / plumbing installer in accordance with the CHALLENGER installation manual. The discharge line must be terminated so as to eliminate possibility of severe burns or property damage should the valve discharge.**

2. Read the temperature and pressure gauge to ensure the system is pressurized. Lift the relief valve top lever slightly, allowing water to relieve through the valve and discharge piping.
3. If water flows freely, release the lever and allow the valve to seat. Watch the end of the relief valve discharge pipe to ensure that the valve does not weep after the line has had time to drain. If the valve weeps, lift the lever again to attempt to clean the valve seat. If the valve does not properly seat and continues to weep afterwards, contact a qualified service technician to inspect the valve and system.
4. If the water does not flow from the valve when you lift the lever completely, the valve or discharge line may be blocked. Immediately shut the appliance down per the instructions on page 8. Call a qualified service technician to inspect the valve and system.

## Operating Instructions

### SECTION IV - OPERATING INSTRUCTIONS

#### FOR YOUR SAFETY READ BEFORE LIGHTING





#### WARNING


If you do not follow these instructions exactly, a fire or explosion may result causing property damage, personal injury or loss of life.

- A. This appliance does not have a pilot. It is equipped with an ignition device which automatically lights the burner. **DO NOT** try to light the burner by hand.
- B. **BEFORE OPERATING**, smell all around the appliance area for gas. Be sure to smell next to the floor because some gas is heavier than air and will settle on the floor.  
**WHAT TO DO IF YOU SMELL GAS**
  - Do not try to light any appliance.
  - Do not touch any electric switch; do not use any phone in your building
  - Immediately call your gas supplier from a neighbor's phone. Follow the gas supplier's instructions.
  - If you cannot reach your gas supplier, call the fire department.
- C. Use only your hand to turn the external manual gas valve. Never use tools. If the valve will not turn by hand, don't try to repair it; call a qualified service technician. Force or attempted repair may result in a fire or explosion.
- D. Do not use this appliance if any part has been under water. Immediately call a qualified service technician to inspect the appliance and to replace any part of the control system and any gas control which has been under water.

#### OPERATING INSTRUCTIONS

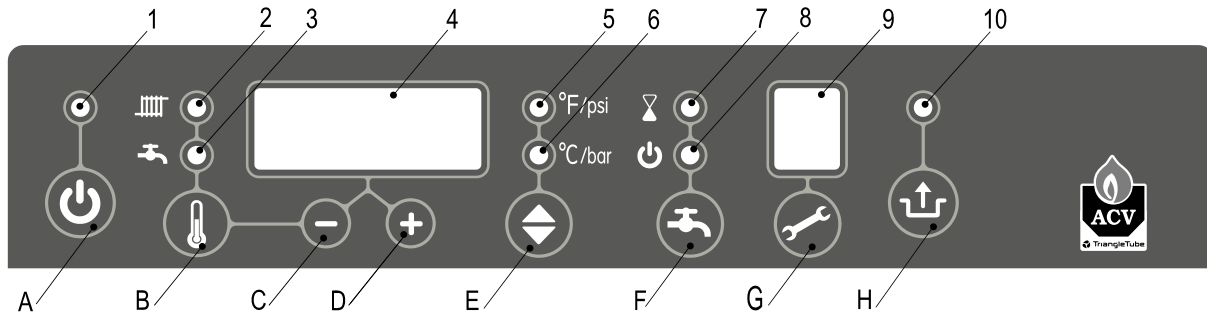
1. **STOP!** Read the safety information above. This appliance is equipped with an ignition device which automatically lights the burner. **DO NOT** try to light the burner by hand.
2. Set room thermostat(s) to lowest setting. Turn the external manual gas valve handle clockwise  "CLOSE" (valve handle shall be perpendicular to gas piping).
3. Turn "OFF" all electrical power to the appliance.
4. Remove the front jacket panel on the appliance.
5. Turn the external manual gas valve handle counter clockwise  to "OPEN" gas supply (valve handle shall be parallel to gas piping).
6. Wait five (5) minutes to clear out any gas. If you then smell gas in the jacket enclosure or around the appliance, **STOP!** Follow "B" in the safety information above. If you don't smell gas, go to the next step.
7. Turn "ON" all electric power to the appliance. Push ON/OFF button on the CHALLENGER control panel display until LED above button is lit.
8. Set room thermostat(s) to desired setting(s).
9. The CHALLENGER control panel display will show a sequence of numbers (1,2,3,4) as the right digit. Sequence digit 3 or 4 indicates the appliance is firing. A blank display means there is no call for heat (all external thermostats are satisfied).
10. If the appliance will not operate with a call for heat and the system piping is not hot, follow the instructions "To Turn Off Gas to Appliance", below and call your service technician or gas supplier.
11. Replace the front jacket panel. Make sure the panel is seated firmly in place and all mounting screws are tightened.

#### TO TURN OFF GAS TO APPLIANCE

1. Set the room thermostat to lowest setting.
2. Turn "OFF" all electric power to the appliance if service is to be performed.
3. Turn the external manual gas valve handle clockwise  to "CLOSE", (valve handle shall be perpendicular to gas piping).

# Appliance Control Display

## SECTION V - Appliance Control Display



### Read-Out

1. On/Off (Lit when on)
2. CH operation or setting maximum CH temperature
3. DHW operation or setting DHW temperature
4. Main display with temperature of CH or DHW or CH water pressure or fault code
5. Temperature °F or pressure psi
6. Temperature °C or pressure bar
7. DHW function eco (learned)
8. DHW function on (minimum block temp)
9. Operating display
10. Flashes to indicate fault

### Operation

- A. On/Off button
- B. CH /DHW/parameter button
- C. - button
- D. + button
- E. Units U.S. customary or metric
- F. DHW function off/eco/on
- G. Service button
- H. Reset/store button

### Appliance ON/OFF

1. The appliance operation is started using the ① ON/OFF button.
2. When appliance is in operation, the green LED above the ① ON/OFF will be lit.
3. When the appliance is not in operation, the green LED above the ① ON/OFF will not be lit. The main display will show “OFF” and the operating display will show - .

### Units

Press Up or Down arrow button to change the displayed units from U.S. Customary (°F or psi) to metric (°C or bar). The °F/psi LED will be lit for U.S. Customary units or °C/bar LED will be lit for metric units.

#### NOTICE

**Units cannot be changed if the main display (Parameter Mode) or operating display (Error Mode) is flashing.**

### Additional DHW Functions



Additional DHW setting can be activated by pressing the 🚰 DHW button.

- ON (① LED lit above the 🚰 DHW button)  
- The appliance DHW function is activated continuously. The appliance will maintain a minimum heat exchanger temperature to assure instant delivery of hot water.
- ECO (⚖️ LED lit above the 🚰 DHW button)  
- The DHW function is self-learning. The appliance will maintain a minimum heat exchanger temperature during times with typical domestic demands, learned over the past 3 days of use.
- OFF (no LED lit) - The appliance will not maintain a minimum heat exchanger temperature. This will affect the delivery and performance of the initial DHW temperature.

#### BEST PRACTICE

**In application in which the DHW is not utilized or the DHW demand is minimal, set the DHW function to OFF.**

## Appliance Control Display

 Main Display	 Operating Display	Function
OFF	—	Press ① button to turn appliance ON LED lite above ① button will be lit when appliance is ON
XXP		No demand for heat
XXP	A	Control self-test
XXX	1	Fan pre purge or post purge cycle
XXX	2	Ignition sequence
XXX	3	Burner ON for space heating (CH)
XXX	4	Burner ON for domestic hot water (DHW)
XXX	6	Burner OFF due to reaching temperature setpoint
	7	Space Heating (CH) post pump cycle
	8	Burner ON for DHW pre-heating
	9	Burner ON for freeze protection
LOP*		Raise CH pressure above 7 psig [0.5 bar]
ODS**		Outdoor sensor not installed
POLE		Incoming line and neutral are reversed

The  LED will be lit for CH (central heating call)

The  LED will be lit for DHW (domestic call)

### NOTICE



**“X” represents temperature or pressure readings. When temperature is displayed it will be followed by “°F” or “°C” in the main display and the appropriate LED will be lit. When pressure is displayed it will be followed by a “P” in the main display. Pressure can only be read when the operating display is blank or shows a “A”.**

\* If factory installed CH Low Water Cut Off (LWCO) is below 7 psig [0.5 bar] the main display will flash a soft lockout of LOP (burner and CH primary pump is blocked) followed by the pressure reading. Once CH system pressure is increased above 7 psig [0.5 bar] normal boiler operation will be restored. Check LWCO wiring if LOP flashes to 90 \_P (PSI) or 6.0 \_P (bar).


\*\* If the outdoor sensor is not installed the main display will display ODS when the boiler is in standby without a CH or DHW call for heat or any errors. The lack of the outdoor sensor will not prevent the unit from operating on a CH or DHW call for heat, but is recommended to increase system efficiency


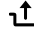
# Appliance Control Display



## Setting the Appliance Parameters

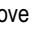
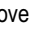
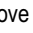
1. Press the “
  5. After all parameters have been changed, press the  button to close the setting menu and store the changes. The main display will go blank and a P will be displayed in the operating display to let you know the control was programmed.

**NOTICE**

**If the  reset button is not pressed within 30 seconds, the settings menu is automatically closed and the changes are stored.**

**If the  ON/OFF button is pressed prior to the  resets button, the settings menu is closed and the changes are NOT stored.**

Main Display		Operating Display		Description	Adjustments
LED (Flashing)	Factory Settings	Parameters (Flashing)			
	186°F [86°C]			Boiler set point temperature	Adjustment range 86°F to 194°F [30°C to 90°C]
	120°F [49°C]			DHW (domestic) setpoint temperature	Adjustment range 104°F to 149°F [40°C to 65°C]
	0	1		Installation type	0=Combi (Heat and DHW) 1=Heating + SMART I.F.W.H. 2=DHW only (no heating system required) 3=Heating only
	0	2		CH pump continuous	0=Intermittent pump on for heat and post purge 1=Pump continuously active except during DHW call or if outside temperature is above parameter 7 with the outdoor sensor installed - Warm Weather Shut Down.
	86°F [30°C]	5		Min. supply temperature of the heat curve	Adjustment range 60°F to 140°F [16°C to 60°C]
	0°F [-18°C]	6		Min. outside temperature of the heat curve	Adjustment range -22°F to 50°F [-30°C to 10°C]
	64°F [18°C]	7		Max. outside temperature of the heat curve	Adjustment range 60°F to 78°F [16°C to 26°C]
	1	8		CH pump post purge period	Adjustment range 0 to 15 minutes
	1	9		DHW post pump <sup>③</sup>	Adjustment range 0 to 15 minutes
	0	o		Waiting time after a DHW demand before a CH demand is answered <sup>①</sup>	Adjustment range 0 to 15 minutes
	0	P		Anti-cycling period during CH operation <sup>②</sup>	Minimal switch-off time in CH operation Adjustable from 0 to 15 minutes

<sup>①</sup> The waiting time starts at the end of the DHW call (no DHW flow - DHW flow switch contacts are open) and blocks the burner and CH circulator. if DHW function is turned ON (<sup>①</sup> LED is lit above the  DHW button) or ECO is ON ( LED is lit above  DHW button) than the burner will continue to fire for DHW until a minimum heat exchanger temperature is achieved. Burner and CH circulator will continue to be blocked until the remaining waiting time ends. This feature only applies if parameter 1 is set to 0.

<sup>②</sup> The anti-cycling time starts when burner shuts down during a CH call due to boiler water reaching the boiler set point temperature plus a 6°F [3°C] differential. The CH circulator will continue to operate while the burner is blocked.

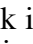
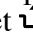
<sup>③</sup> The DHW Post Pump function only applies when parameter 1 is set to a setting of 1 heating + Smart I.F.W.H. and only occurs if no CH call for heat is present

---

## Appliance Control Display

---

### Error (Hard Lockout) Mode

If a system fault occurs, the system enters a hard lockout condition which requires a manual reset by pressing the RESET button . A hard lock is indicated by a flashing [E] on the operating display as well as a flashing LED light above the reset  button. The error code is located on the main display. The error must be corrected before the control will reset.

 **CAUTION**

The appliance freeze protection feature is disabled during a Hard Lockout, however the CH circulator will operate.

 **CAUTION**



During a hard lockout or low water condition the appliance will not re-start without service. If the heating system is left unattended in cold weather appropriate safeguards or alarms should be installed to prevent property damage.



Temperature (°F)	Temperature (°C)	NTC (kOhm)
-22	-30	171.70
-4	-20	98.82
14	-10	58.82
32	0	36.10
50	10	22.79
68	20	14.77
78	25	12.00
86	30	9.81
104	40	6.65
122	50	4.61
140	60	3.25
158	70	2.34
176	80	1.71
194	90	1.27
212	100	0.95

**Table 6: 12 K Ohm NTC Sensor Resistance**

## Appliance Control Display

### Error (Hard Lockout) Codes\*

 Main Display	 Operating Display (Flashing)	Error Description	Possible Solution
10, 11, 12, 13, 14	E	- CH supply sensor fault S1	<ul style="list-style-type: none"> <li>• Check wiring for break</li> <li>• Check for proper flow direction</li> <li>• Replace S1</li> <li>• E10 Open sensor</li> <li>• E 11Flow switch sticking or miss-installed</li> <li>• E 11 Shorted sensor</li> <li>• E12 Decreased too quickly</li> <li>• E13 Increased too quickly</li> <li>• E14 Stuck</li> </ul>
20, 21, 22, 23, 24	E	- CH return sensor fault S2	<ul style="list-style-type: none"> <li>• Check wiring for break</li> <li>• Check for proper flow direction</li> <li>• Replace S2</li> <li>• E 20 Open sensor</li> <li>• E 21 Shorted sensor</li> <li>• E22 Decreased too quickly</li> <li>• E23 Increased too quickly</li> <li>• E24 Stuck</li> </ul>
0	E	- Sensor fault after self check	<ul style="list-style-type: none"> <li>• Replace S1 and/or S2</li> </ul>
1, 28	E	- Temperature too high	<ul style="list-style-type: none"> <li>• Air in installation</li> <li>• Pump not running</li> <li>• Insufficient flow in installation, shut off valves closed, pump setting too low</li> <li>• Flow switch sticking or miss-installed</li> <li>• Check for wiring</li> </ul>
2	E	- CH supply sensor S1 and CH return sensor S2 interchanged	<ul style="list-style-type: none"> <li>• Check for proper flow direction</li> <li>• Replace S1 or S2</li> </ul>
4	E	- No flame signal	<ul style="list-style-type: none"> <li>• Manual gas shut off valve closed</li> <li>• Remove air from gas pipe</li> <li>• Gas supply pressure too low or failing</li> <li>• Gas valve or ignition unit not powered</li> <li>• Incorrect ignition gap</li> <li>• Check adjustment of gas valve</li> </ul>
5	E	- Poor flame signal	<ul style="list-style-type: none"> <li>• Condensate drain blocked</li> <li>• Check adjustment of gas valve</li> </ul>
6	E	- Flame detection fault	<ul style="list-style-type: none"> <li>• Replace ignition cable + spark plug cap</li> <li>• Replace ignition unit at gas valve</li> <li>• Replace boiler controller</li> </ul>
8	E	- Incorrect fan speed	<ul style="list-style-type: none"> <li>• Fan catching on casing</li> <li>• Wiring between fan and casing</li> <li>• Check wiring for poor wire contact</li> <li>• Replace fan</li> </ul>
29,30	E	- Gas valve relay fault	<ul style="list-style-type: none"> <li>• Replace boiler controller</li> </ul>
18, 19	E	- Flue sensor fault	<ul style="list-style-type: none"> <li>• E18 open sensor</li> <li>• E19 Shorted sensor</li> <li>• Check/Replace sensor</li> </ul>
7,16, 17	E	- DHW sensor fault	<ul style="list-style-type: none"> <li>• E16 Shorted sensor</li> <li>• E17 Open sensor</li> <li>• Check/replace sensor</li> <li>• E7 Excessive temperature</li> <li>• Check gas orifice</li> <li>• Check combustion settings</li> </ul>
50F		- Improper frequency	<ul style="list-style-type: none"> <li>• Verify ground</li> <li>• Frequency should be between 45 and 65 Hz</li> </ul>

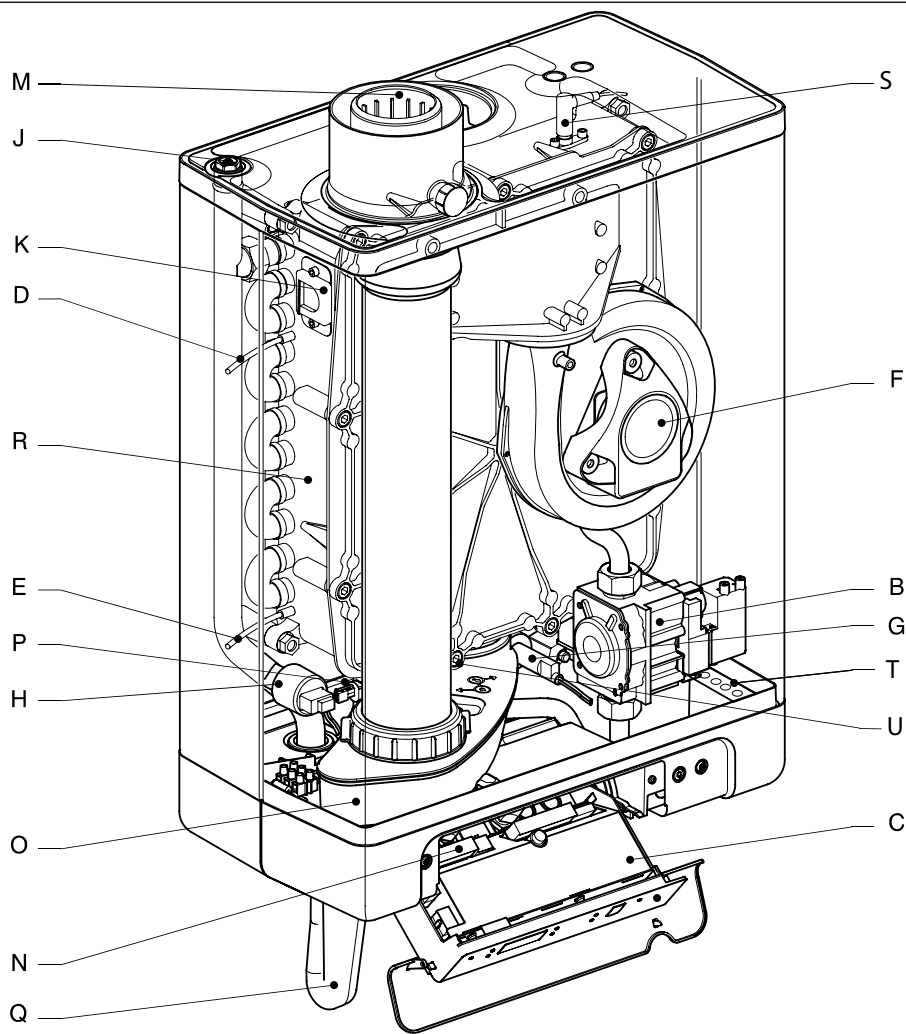
\* Red LED above  button will flash, correct condition, and press  button.

#### NOTICE

**If outdoor sensor is shorted the boiler will not enter into a hard lockout but will maintain the minimum supply temperature of the heat curve.**



## Replacement Parts



- |  |   |                                   |
|--|---|-----------------------------------|
| A. Circulator (CC 125c only - Not Shown) | H. LWCO/CH pressure sensor  | P. DHW sensor S3 (Combi only)     |
| B. Gas Valve                             | J. Pressure relief and air vent assembly  | Q. Condensate drain trap assembly |
| C. Control/Display                       | K. Sight glass  | R. Heat exchanger                 |
| D. CH supply sensor S1                   | M. Vent/Air adapter (80/125 concentric optional shown or 3" standard not shown) | S. Ignition electrode             |
| E. CH Return sensor S2                   | N. Low voltage/terminal strip X4  | T. High voltage terminal strip    |
| F. Blower                                | O. Condensate pan   | U. Flue Sensor                    |
| G. DHW flow switch (Combi only)          |   |                                   |

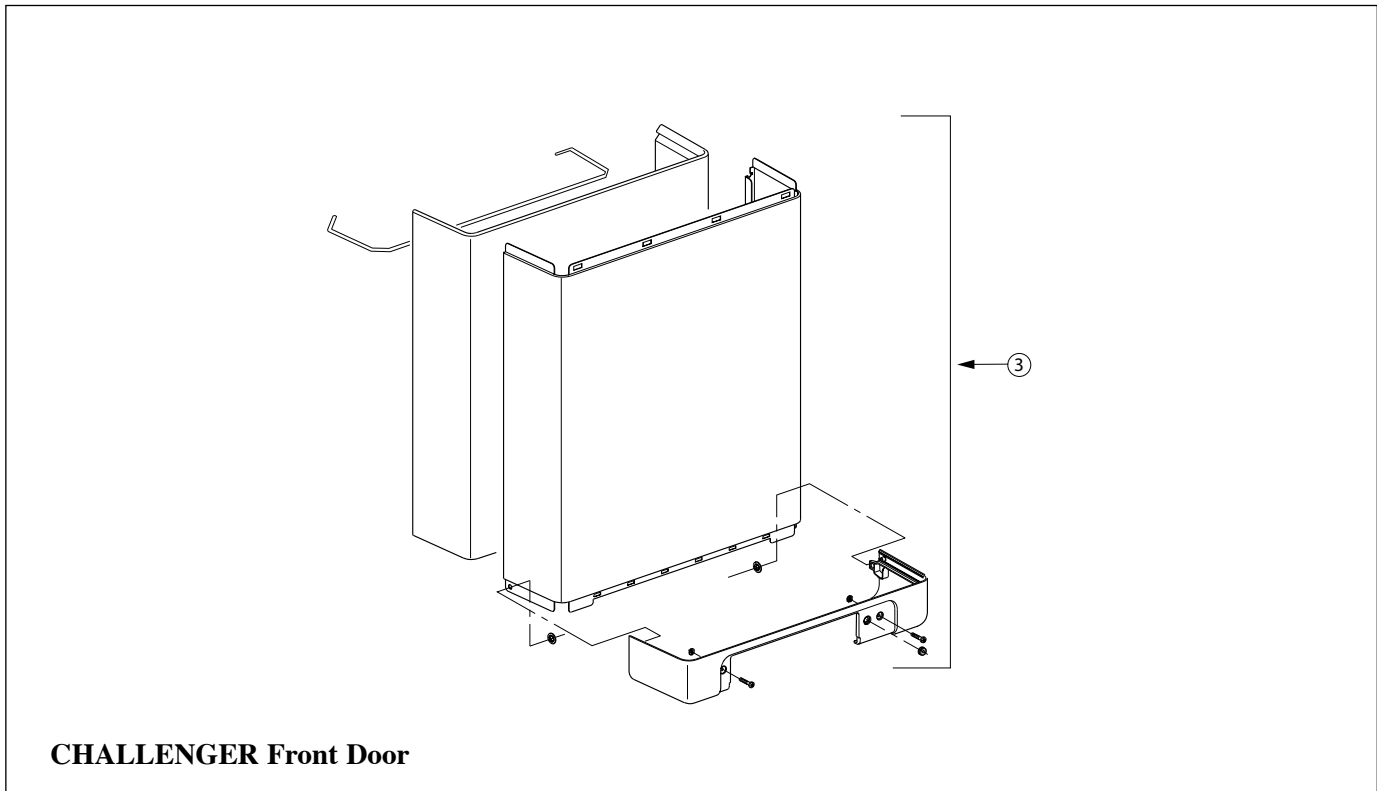
### CHALLENGER Internal Components

#### WARNING

Replacement parts must be purchased through a local ACV-Triangle Tube distributor. When ordering part please provide the model number and description and/or part number of replacement part. Use only gen-

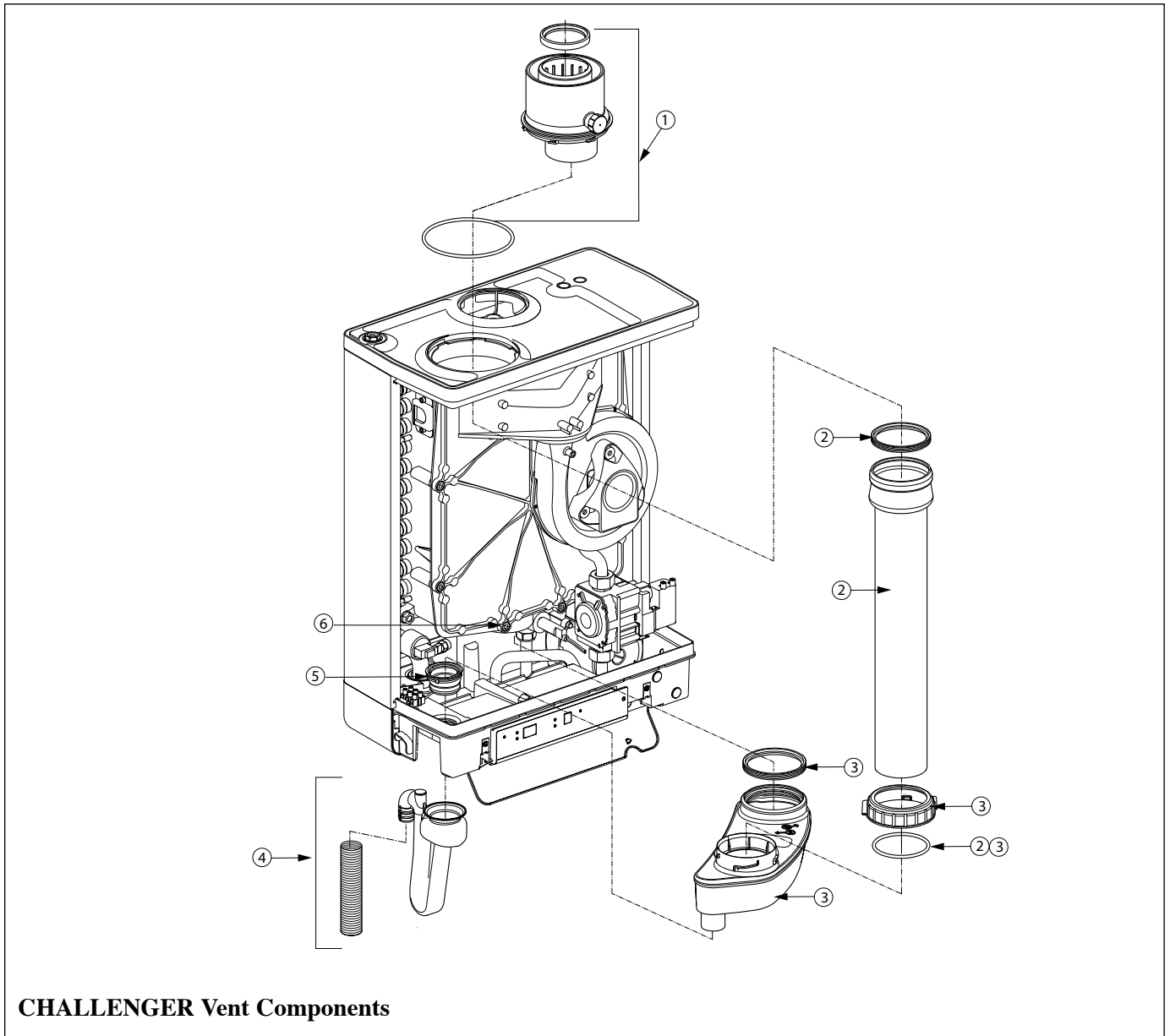
uine ACV-Triangle Tube replacement parts to ensure warranty coverage and to avoid damage to appliance and improper operation of appliance. Contact ACV-Triangle Tube at 856-228-8881 or [www.triangletube.com](http://www.triangletube.com) for list of distributors nearest you.

## Replacement Parts



Item	Part Number CC50 & CC85	Part Number CC105	Part Number CC125 & CC150	Description
1		CCRKIT04		Wall Bracket Assembly (Not Shown)
2		CCRKIT05		Pipe Connectors & Brackets Assembly (Not Shown)
2A		CCFTG01		Connector Pipe CH (Not Shown) - 1/Kit
2B		CCFTG02		Connector Pipe DHW (Not Shown) - 1/Kit (Combi only)
3	CCRKIT06	CCRKIT07	CCRKIT08	Front Door Assembly

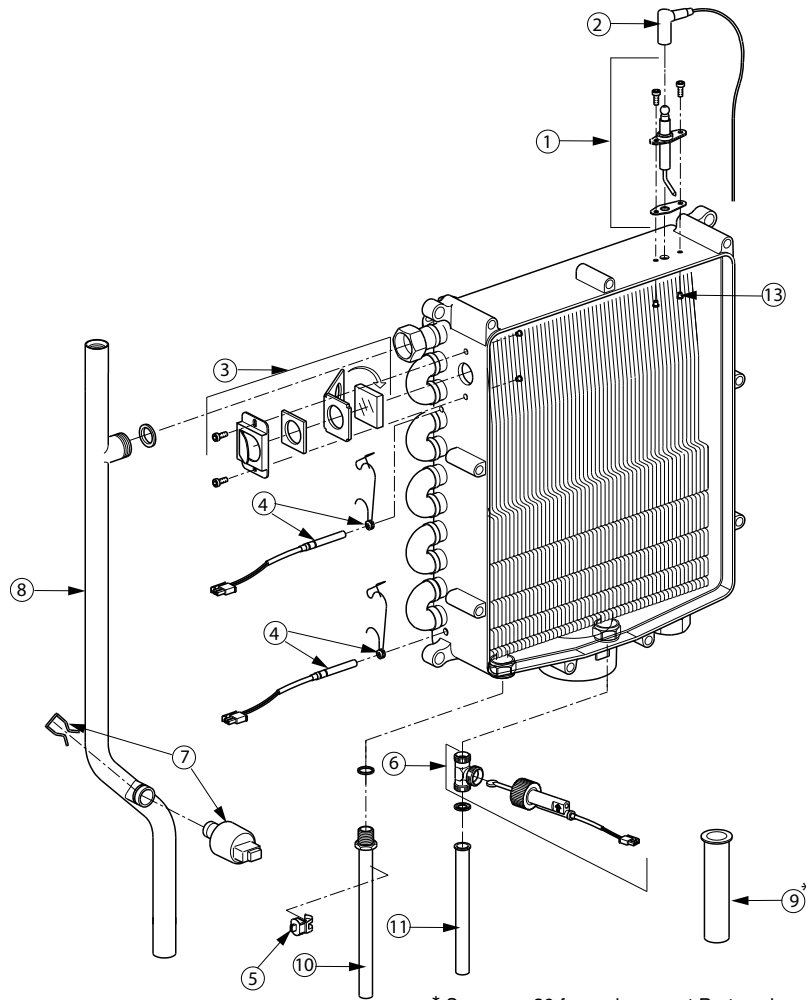
## Replacement Parts



**CHALLENGER Vent Components**

Item	Part Number CC50 & CC85	Part Number CC105	Part Number CC125	Part Number CC150	Description
1	CCRKIT09				80/125 Concentric Vent /Air Adapter Assembly (optional - shown)
	CCRKIT35				3" Vent/Air Adaptor Assembly ( standard - not shown)
2	CCRKIT10	CCRKIT11	CCRKIT12		Vent Assembly
3	CCRKIT13				Condensate Collector Assembly
4	CCRKIT14			CCRKIT14A	Condensate Drain Trap Assembly
5	CCRKIT41				Condensate Collector/Trap Gasket
6	CCRKIT36				Flue Sensor

## Replacement Parts

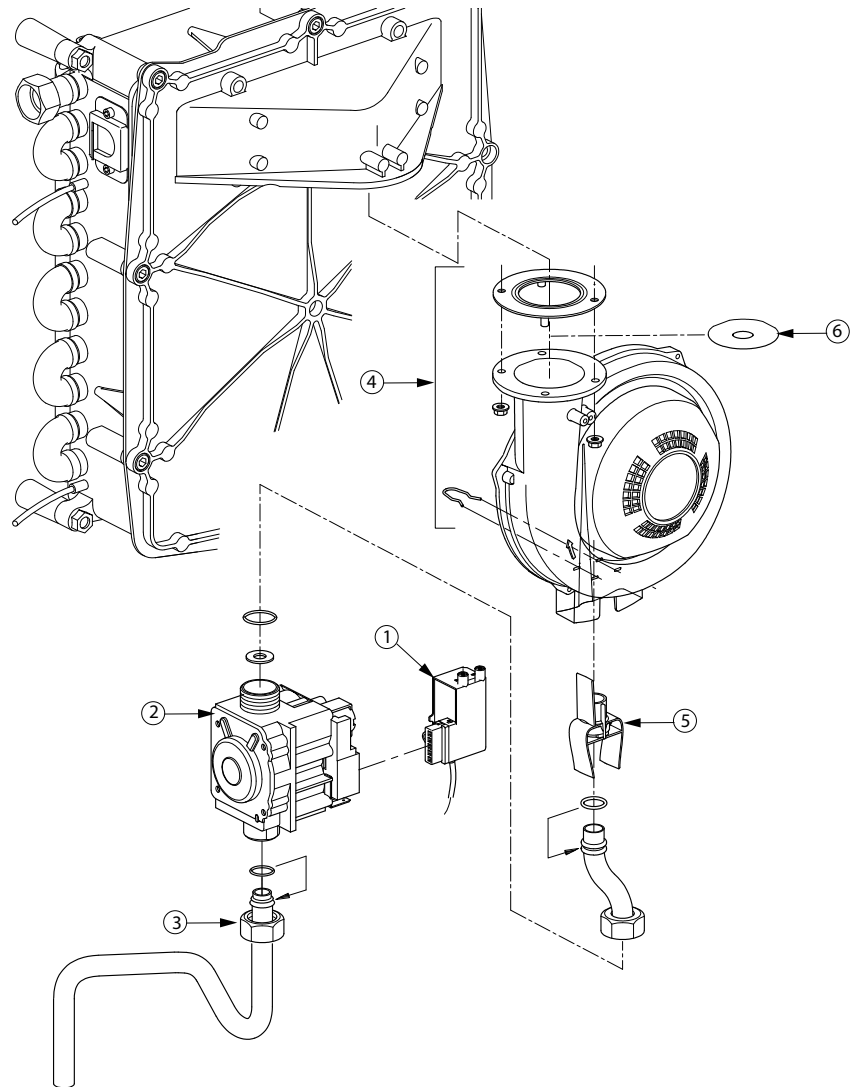


### CHALLENGER Internal Components

\* See page 20 for replacement Parts unique to CC125c Model

Item	Part Number CC50 & CC85	Part Number CC105	Part Number CC125 & CC150	Description
1		CCRKIT15		Igniter Assembly
2		CCCLB01		Ignition Cable
3		CCRKIT16		Sight Glass Assembly
4		CCRKIT17		CH Sensor Assembly - 1/Kit
5		CCSENS02		DHW Sensor (Combi only)
6		CCRKIT18		DHW Flow Switch Assembly (Combi only)
7		CCRKIT19		LWCO/CH Pressure Sensor Assembly
8	CCRKIT20	CCRKIT21	CCRKIT22	CH Supply pipe Assembly
9		CCRKIT23*		CH Return Pipe Assembly
10		CCRKIT26		DHW Supply Pipe Assembly (Combi only)
11		CCRKIT27		DHW Return Pipe Assembly (Combi only)
12		CCRKIT42		LWCO Wiring Harness (not shown)
13		CCRKIT40		Ignitor Bushings -2/kit

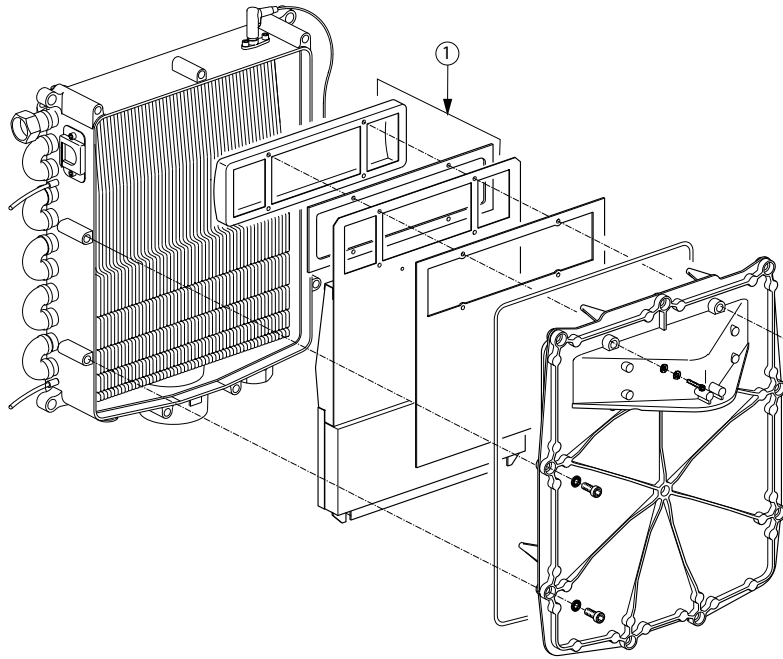
## Replacement Parts



**CHALLENGER Blower & Gas Valve Components**

Item	Part Number CC50	Part Number CC85	Part Number CC105	Part Number CC125 & CC150	Description
1	CCRKIT28				Ignition Transformer Assembly
2	CCRKIT29				Gas Valve Assembly
3	CCRKIT30	CCRKIT31			Gas Pipe Assembly
4	CCRKIT32				Blower Assembly
5	N/A	CCRKIT45	N/A		Venturi 406
	N/A		CCRKIT46		Venturi 362
	CCRKIT52	N/A			Venturi 541
6	N/A	CCRKIT47	N/A		Blower Outlet Orifice 1" (25 mm)
	N/A		CCRKIT48	N/A	Blower Outlet Orifice 1 7/16" (37 mm)
N/A = Not Applicable					

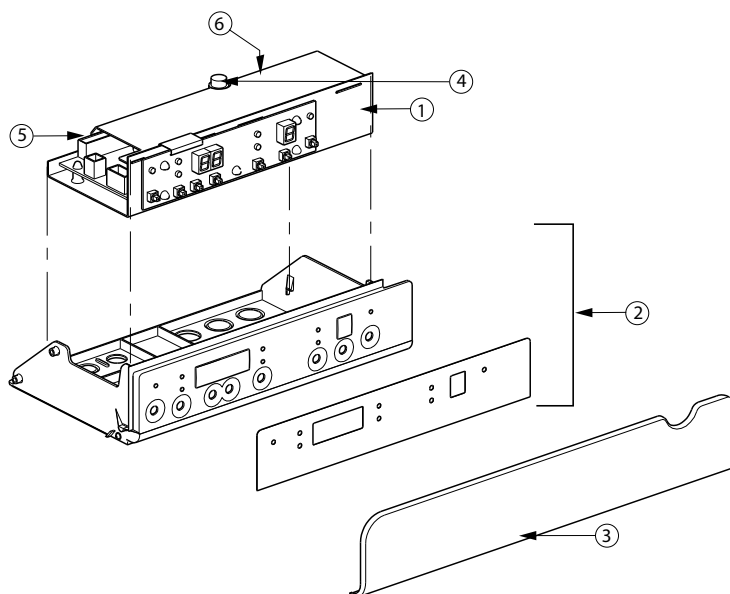
## Replacement Parts



**CHALLENGER Burner Components**

Item	Part Number CC50 & CC85	Part Number CC105	Part Number CC125 & CC150	Description
1	CCRKIT33			Burner Assembly

## Replacement Parts



**CHALLENGER Control Components**

Item	Part Number CC50 & CC85	Part Number CC105	Part Number CC125	Part Number CC150	Description
1	CCCON01			CCCON02	Control/Display
2	CCCS01				Housing Plastic Control
3	CCRKIT34				Flip Panel
4	CCFUSE01				Fuse - 1/Kit
5	CCRKIT43				Connector - X4, 24V, 9 Pin (Not shown)
6	CCRKIT44				Connector - X2, 120V, 8 Pin (Not shown)

Replacement Parts Unique to CC125C Model	
CCRKIT53	CH Return Pipe Assembly
CCRKIT54	Circulator

## **Additional quality water heating equipment available from ACV-Triangle Tube**

### **Brazed Plate Heat Exchangers**

---



- For domestic water, snow melting, radiant floor, refrigeration
- Plates made of stainless steel, with a 99.9 % copper and brazed, ensuring a high resistance to corrosion
- Self cleaning and self descaling
- Computerized sizing available from ACV-Triangle Tube
- Available in capacities from 25,000 BTU/hr to 5,000,000 BTU/hr

### **Smart Indirect Fired Water Heaters**

---



- Exclusive "tank-in-tank" design
- Stainless steel construction
- Available in 7 sizes
- Limited LIFETIME residential warranty
- 6 year limited commercial warranty
- Self cleaning/self descaling design

### **Maxi-flo Pool and Spa Heat Exchangers**

---



- Constructed of high quality corrosion resistant stainless steel (AISI 316)
- Specially designed built-in flow restrictor to assure maximum heat exchange
- Compact and light weight
- Available in 8 sizes that can accommodate any size pool or spa



Triangle Tube - 1 Triangle Lane - Blackwood, NJ 08012 - Tel: (856) 228 8881 - Fax: (856) 228 3584  
E-mail: [sales@triangletube.com](mailto:sales@triangletube.com)