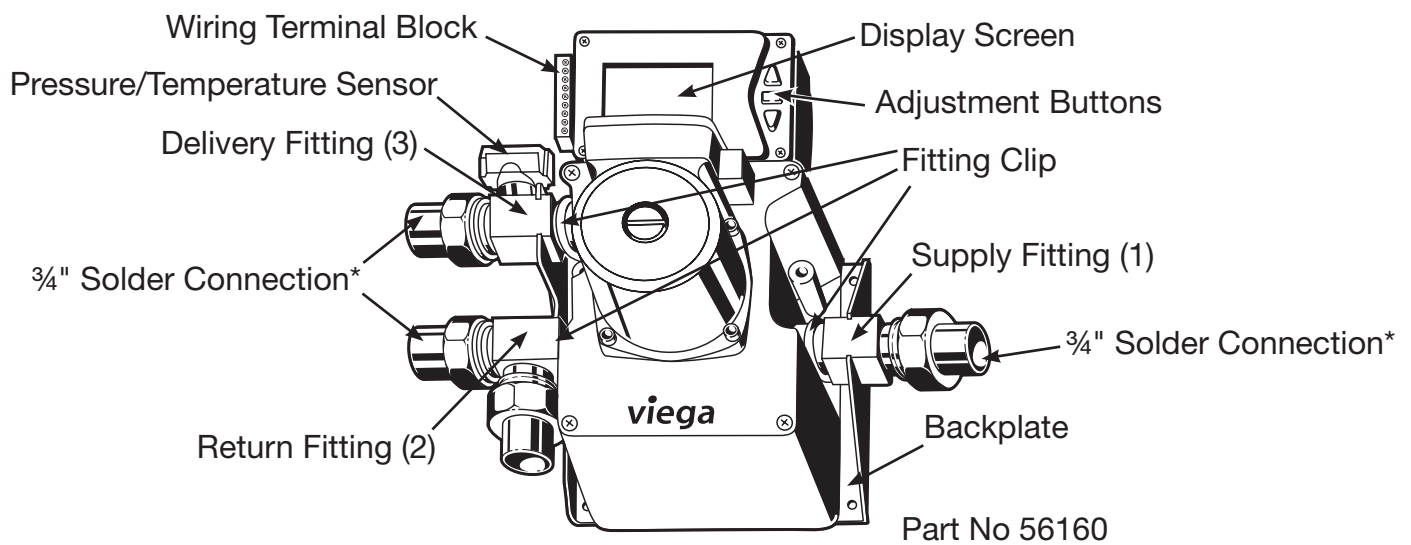


## Viiega® Hydronic Mixing Block

The Hydronic Mixing Block is a mixing device and boiler control, with a built in circulator and system controller. The block can provide either a fixed or reset water temperature via start/stop or constant fluid circulation.



\* ProPress tailpieces may be used in place of solder connections. ProPress tailpieces are available for sale separately.



Only suitably qualified individuals with formal training in electrical and HVAC controls should attempt the installation of this equipment. Incorrect wiring and installation will affect the warranty provided with this unit. Wiring must be completed in accordance with the codes and practices applicable to the jurisdiction for the actual installation.



The Hydronic Mixing Block is a microprocessor based controller and as such is not to be regarded as a safety (limit) control. Please consult and install the heating or cooling appliance in accordance with the manufacturer's recommendations.

# TechData



## Technical Data

### Input Voltage/Current

120 VAC  $\pm$  10% 60 Hz, 2A

### Sensors

(2) 10k $\Omega$  - 1 boiler sensor, 1 outdoor sensor  
 Sensor wiring may be extended up to 500'  
 Use 18 gauge wire when extending

### Boiler Relay

24VAC 1.0 MAX AMPS

### Circulator Relay

24VAC 1.0 MAX AMPS

### Microprocessor

8 Bit, 32 MHz

### Fluid

Water  
 Propylene or Ethylene glycol to 50% concentration

### Temperature

Maximum Temperature: 203°F

### Pressure

Maximum Working Pressure: 45 psi  
 Maximum Test Pressure: 100 psi

### Weight

10 lbs.

### Dimensions

12.18"W x 10"H x 6.7"D

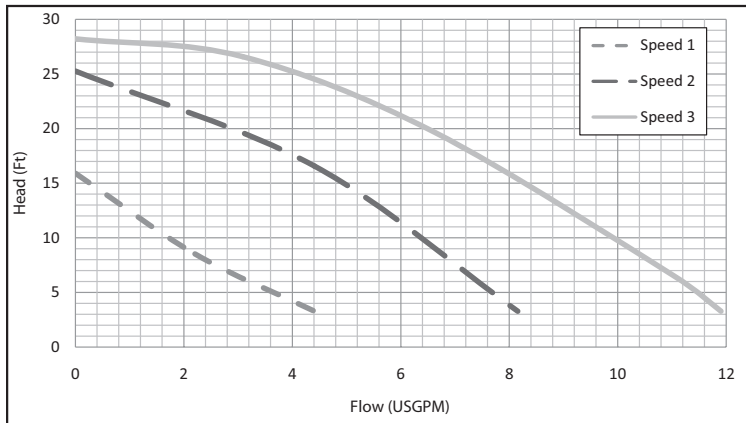
### ETL Listings

Meets CSA C22.2 No. 24  
 Meets UL Standard 873  
 ETL Control No. 3068143

### Part No

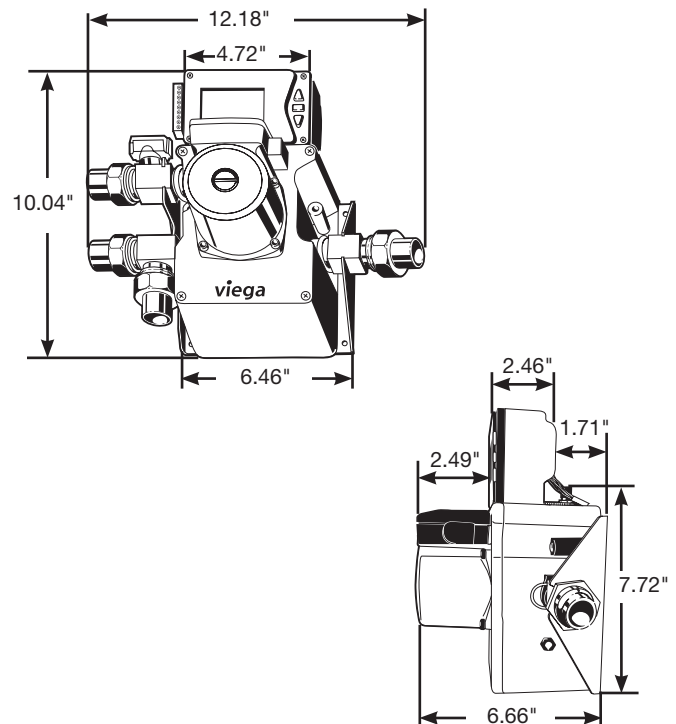
56160

## Pump Curve for Hydronic Mixing Block



Part Number	Speed	Amps	Watts	HP
56160	Hi	1.12	130	1/25
	Med	1.04	110	1/25
	Low	0.78	80	1/25

## Dimensions



This document subject to updates. For the most current Viega technical literature please visit [www.viega.us](http://www.viega.us).  
 Click Services -> Click Electronic Literature Downloads -> Select Product Line -> Select Desired Document

Viega LLC, 100 N. Broadway, 6<sup>th</sup> Floor • Wichita, KS 67202 • Ph: 800-976-9819 • Fax: 316-425-7618