



# Unwind™

67" x 32" seamless back-to-wall freestanding bath  
96134

## Features

- Freestanding design creates a striking focal point in your bathing area.
- Open-back design is perfect for small spaces and makes faucet installation easier.
- Center toe-tap drain.
- Wide ledge on one side is ideal for deck-mount faucet and/or handshower.
- Integral lumbar support on both ends.
- Built-in integral overflow.
- 4.5" drain-to-floor clearance for above-floor drain installation.

## Material

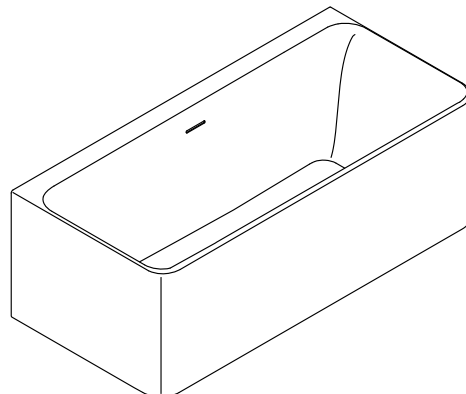
- Acrylic.

## Installation

- Freestanding.
- Above-floor drain (AFD) rough-in.
- Concealed adjustable legs make leveling during installation easy.

## Included Components

Additional Components:  
1381626-0



## Codes/Standards

CSA B45.5/IAPMO Z124  
ASTM E162  
ASTM E662


## Warranty – Bathing Fixtures (and) Kitchen and Utility Sinks Made of Solid Vikrell® Material

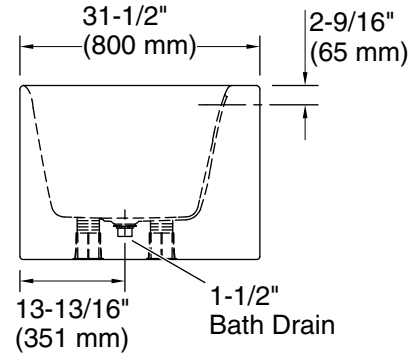
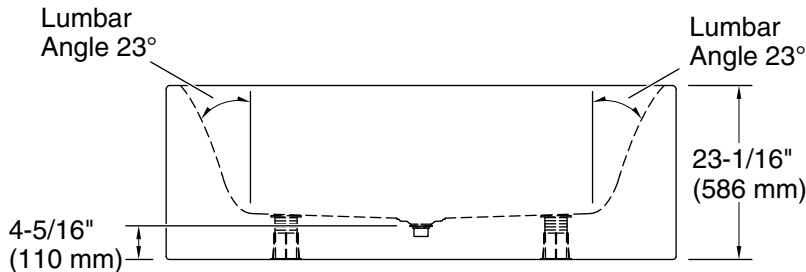
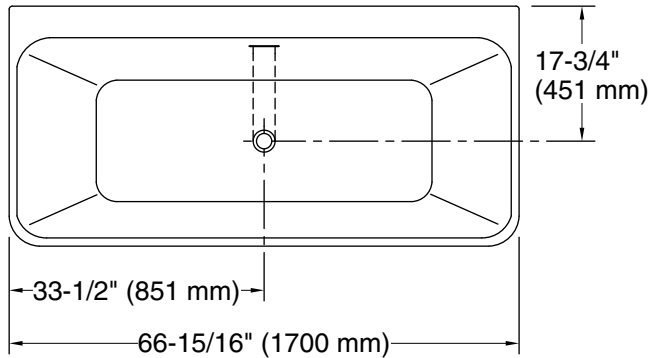
See website for detailed warranty information.

## Available Colors/Finishes

*Color tiles intended for reference only.*

Color	Code	Description
-------	------	-------------

	0	White
---	---	-------



**Technical Information**

All product dimensions are nominal.

- Installation: Freestanding
- Basin area, bottom: 47-3/8" x 19" (1203 mm x 483 mm)
- Basin area, top: 65-13/16" x 27-5/16" (1672 mm x 693 mm)
- Water depth: 14-5/8" (371 mm)
- Water capacity: 69.79 gal (264.2 L)

**Notes**

- Install this product according to the installation instructions.
- Measure your actual product for roughing-in details.
- The hot water supply should be 70% of the capacity of the bath or greater. Installations will vary.
- Do not support the load weight of the bath by the rim.
- If installing a rim-mount faucet, make sure there is no interference above or below the deck before drilling any holes.