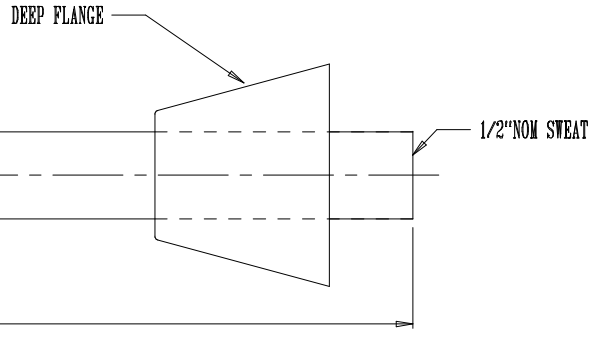
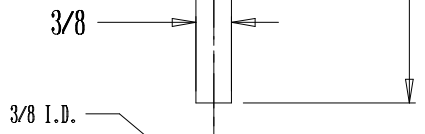
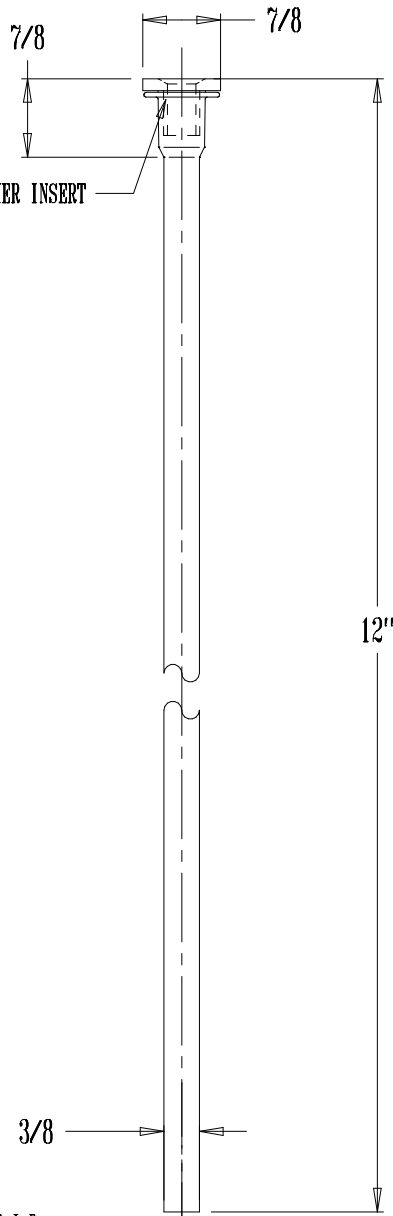


PE PLASTIC WASHER INSERT
 P/N: 507050
 .30 I.D.



LOOSE KEY

NOTES:

1. ALL DIMENSIONS ARE IN INCHES.
2. MATERIAL: BRASS
3. FINISH: CHROME PLATE
4. NUT, COMPRESSION SLEEVE & LOOSE KEY INCLUDED WITH VALVE.

THE KEENEY MANUFACTURING COMPANY NEWINGTON, CT		
LOOSE KEY CLOSET COMMERCIAL SUPPLY KIT	P/N: 2100CLKC12LF	
DWG BY: RKH	DATE: 6/24/13	SCALE: SHOWN