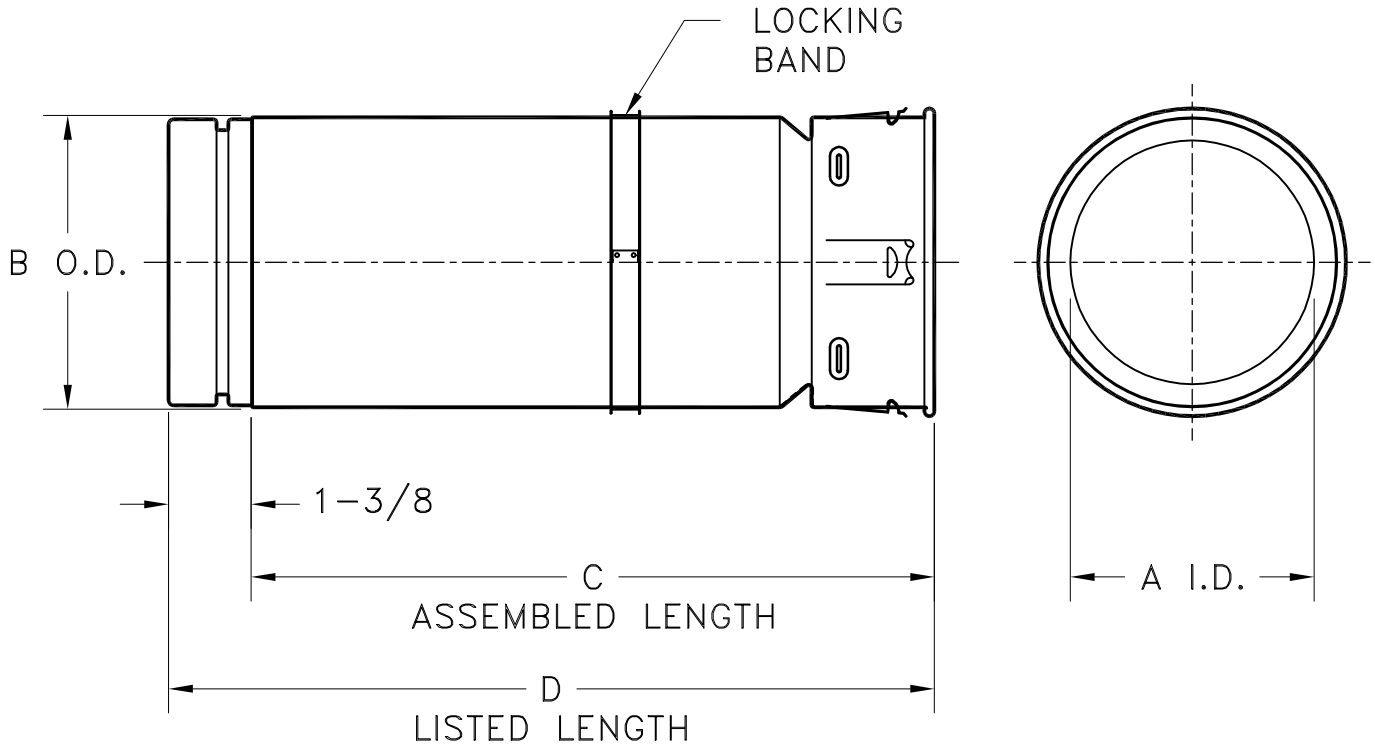


• MATERIAL:

- OUTER — .018 THICK, G-90 GALVANIZED STEEL
- INNER — .012 THICK, ALUMINUM SIZES 3 THROUGH 8
- .016 THICK, ALUMINUM SIZES 10 THROUGH 12



CAT. NO.	A I.D.	B O.D.	C						
			4-5/8	10-5/8	16-5/8	22-5/8	34-5/8	46-5/8	58-5/8
3RP	3	3.50	4-5/8	10-5/8	16-5/8	22-5/8	34-5/8	46-5/8	58-5/8
4RP	4	4.50	4-5/8	10-5/8	16-5/8	22-5/8	34-5/8	46-5/8	58-5/8
5RP	5	5.50	4-5/8	10-5/8	16-5/8	22-5/8	34-5/8	46-5/8	58-5/8
6RP	6	6.50	4-5/8	10-5/8	16-5/8	22-5/8	34-5/8	46-5/8	58-5/8
7RP	7	8	~	10-5/8	16-5/8	22-5/8	34-5/8	46-5/8	58-5/8
8RP	8	9	~	10-5/8	16-5/8	22-5/8	34-5/8	46-5/8	58-5/8
10RP	10	11	~	~	16-5/8	22-5/8	34-5/8	~	~
12RP	12	13	~	~	16-5/8	22-5/8	34-5/8	~	~
LISTED LENGTH (D)			6	12	18	24	3	4	5

JOB NAME: _____	SUBMITTED BY: _____	DATE: 10/24/01	SD-3100
LOCATION: _____	<p><b>Type B Gas Vent</b>                  Round Pipe                  RP                  3" - 12" Diameter</p>		
ARCHITECT: _____			
ENGINEER: _____			
CONTRACTOR: _____			