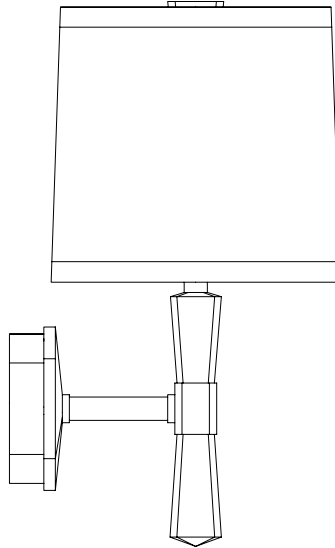


### INSTALLATION INSTRUCTIONS



**P33221**

## INSTALLATION INSTRUCTIONS

### THANK YOU FOR CHOOSING KALLISTA

We appreciate your commitment to KALLISTA quality products. Please take a moment to review this manual before you install your KALLISTA product. If you encounter any installation or performance problems, please do not hesitate to contact us at the phone number listed at the bottom of the page.

### BEFORE YOU BEGIN

**⚠ DANGER: Risk of personal injury.** To avoid possible electrical shock, the electricity must be turned off at the circuit breaker or fuse box before attempting any installation procedure.

**⚠ DANGER: Risk of personal injury.** To avoid possible electrical shock, the outlet box must be properly grounded.

**⚠ WARNING: Risk of property damage.** To avoid possible risk of fire, this fixture has been rated for bulbs up to 60-watts. Do not exceed this rating.

- Observe all local electrical codes and building codes.
- Carefully read these instructions before installing the fixture.
- It is strongly recommended that a professional electrician install the fixture.
- This fixture is for indoor use only.
- Carefully inspect the fixture for damage.
- KALLISTA reserves the right to make revisions in the design of products without notice, as specified in the Price Book.

### TOOLS AND MATERIALS



Screwdriver



Electrical Tape



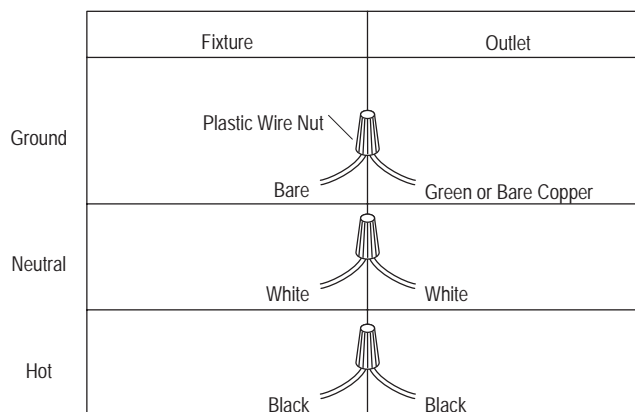
60 Watt A  
Incandescent Bulb

#### Also:

- Wire nuts

## INSTALLATION INSTRUCTIONS

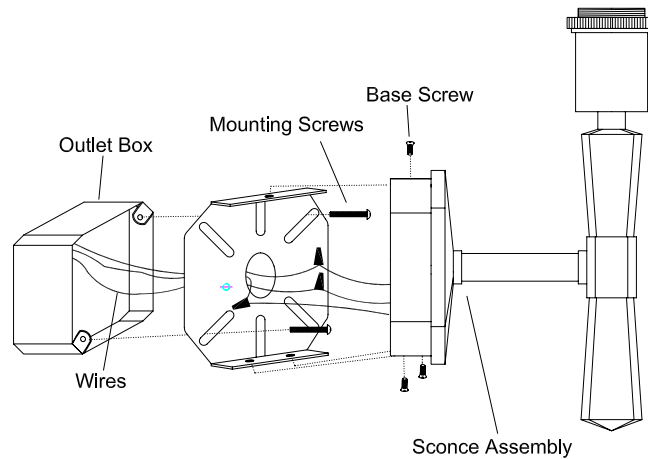
### 1. CONNECT THE ELECTRICAL WIRES



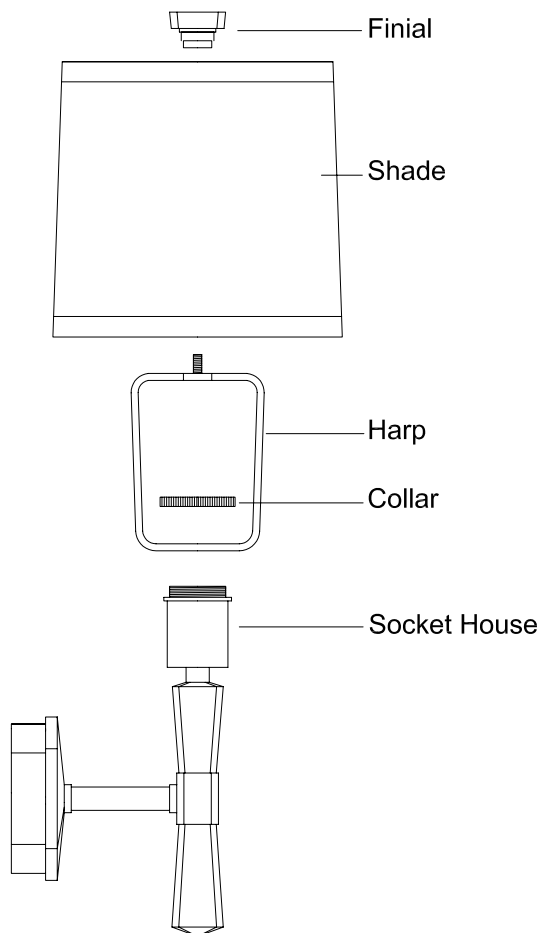
**⚠ DANGER: Risk of personal injury.** To avoid possible electrical shock, the electricity must be turned off at the circuit breaker or fuse box before attempting any installation procedure.

**⚠ DANGER: Risk of personal injury.** To avoid possible electrical shock, the outlet box must be properly grounded.

- If you have not already done so, turn off the electricity at the circuit breaker or fuse box.
- Attach the bare copper ground wire from the fixture to the ground wire (green or bare wire) of the outlet box.
- Fasten the ground wires together with a plastic wire nut and wrap with electrical tape.
- Attach the neutral wire (white) from the fixture to the neutral wire (usually white) of the outlet box.
- Fasten the neutral wires together with a plastic wire nut and wrap with electrical tape.
- Attach the hot wire (black) from the fixture to the hot wire (usually black) of the outlet box.
- Fasten the hot wires together with a plastic wire nut and wrap with electrical tape.
- Verify all plastic wire nuts are securely fastened and wire strands are not exposed.

**INSTALLATION INSTRUCTIONS****2. INSTALL THE SCONCE ASSEMBLY**

- Carefully tuck the wire connections neatly into the outlet box.
- Align the mounting slots on the mounting plate with the holes on the outlet box as shown.
- Attach the mounting plate to the outlet box with the mounting screws.
- Attach sconce assembly to the mounting plate and secure with base screws as shown.

**INSTALLATION INSTRUCTIONS****3. INSTALL THE SHADE AND BULB**

- Remove collar from top of socket house.
- Position harp over top threaded section of socket house.
- Replace collar to secure harp to the socket house.
- Remove finial from top of the harp.
- Place shade on top of harp and secure with the finial.
- Insert the bulb into the socket.
- Turn on the main electrical supply from the main fuse or circuit breaker.
- Check for proper operation.