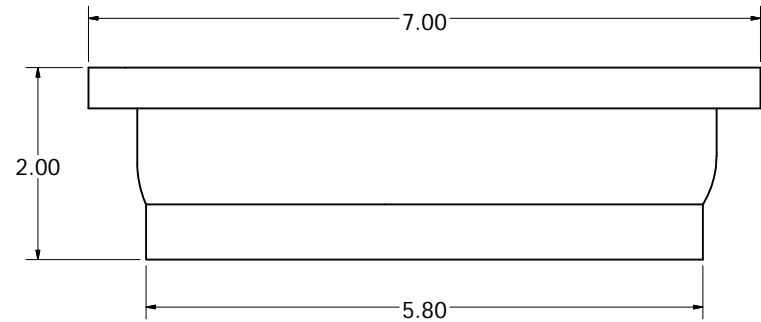
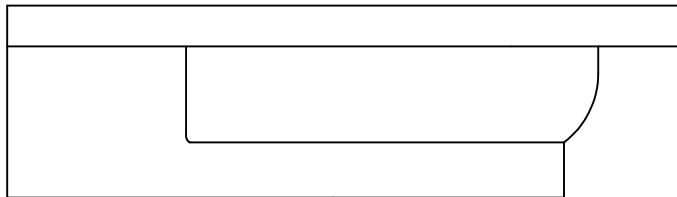
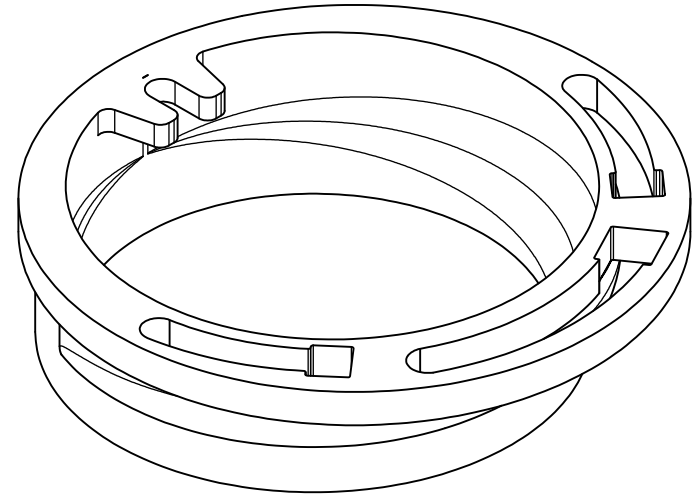
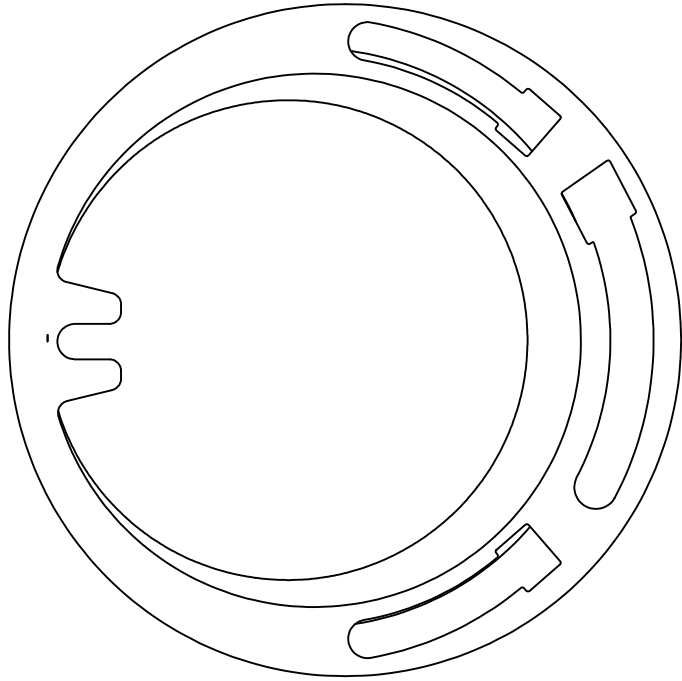


# FOUR WAY OFFSET CLOSET FLANGE



PHONE NUMBER  
1-800-355-6637  
FAX NUMBER  
1-800-462-6991  
SCALE 1:1 DATE 3-01-11  
SHEET 1 OF 1  
DRAWN BY  
ASHLEY KRALOVEC

PART NO.	C44420				
DESCRIPTION	4" X 2"				
CONNECTION	INSIDE CAULK				