



Unwind™

59" x 30" seamless back-to-wall freestanding bath
96133

Features

- Freestanding design creates a striking focal point in your bathing area.
- Open-back design is perfect for small spaces and makes faucet installation easier.
- Center toe-tap drain.
- Wide ledge on one side is ideal for deck-mount faucet and/or handshower.
- Integral lumbar support on both ends.
- Built-in integral overflow.
- 4.5" drain-to-floor clearance for above-floor drain installation.

Material

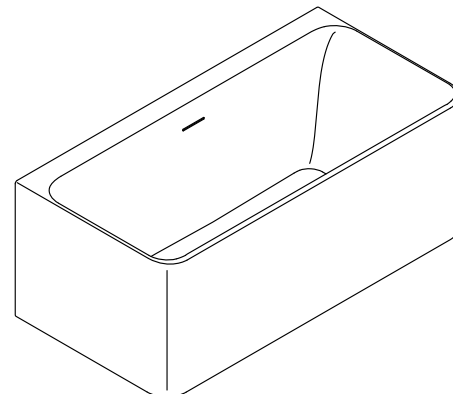
- Acrylic.

Installation

- Freestanding.
- Above-floor drain (AFD) rough-in.
- Concealed adjustable legs make leveling during installation easy.

Included Components

Additional Components:
1381626-0



Codes/Standards

CSA B45.5/IAPMO Z124
ASTM E162
ASTM E662


Warranty – Bathing Fixtures (and) Kitchen and Utility Sinks Made of Solid Vikrell® Material

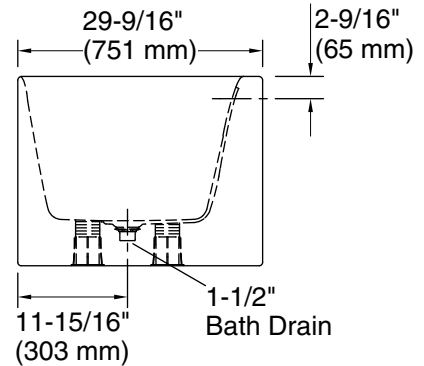
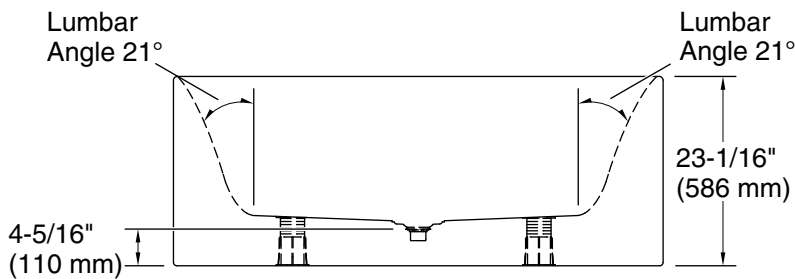
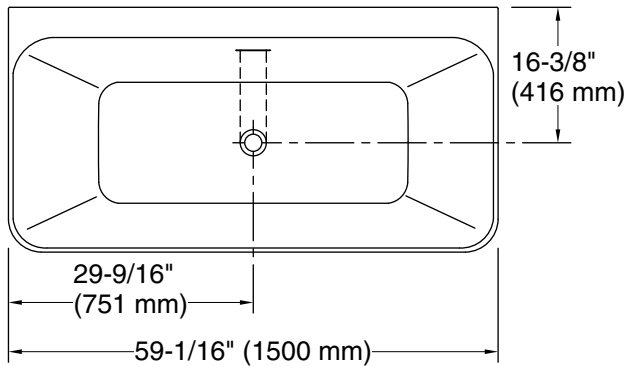
See website for detailed warranty information.

Available Colors/Finishes

Color tiles intended for reference only.

Color	Code	Description
-------	------	-------------

	0	White
---	---	-------



Technical Information

All product dimensions are nominal.

- Installation: Freestanding
- Drain location: Center
- Basin area, bottom: 39-1/16" x 14-11/16" (992 mm x 373 mm)
- Basin area, top: 58" x 25-3/8" (1473 mm x 645 mm)
- Water depth: 14-9/16" (370 mm)
- Water capacity: 56 gal (212 L)

Notes

- Install this product according to the installation instructions.
- Measure your actual product for roughing-in details.
- The hot water supply should be 70% of the capacity of the bath or greater. Installations will vary.
- Do not support the load weight of the bath by the rim.
- If installing a rim-mount faucet, make sure there is no interference above or below the deck before drilling any holes.