

PROTECTIVE SLEEVE FOR 1/2" FLEXIBLE CTS TUBE

550-FP2 SERIES

Straight Floor Sleeve

SPECIFICATION

Sioux Chief 550-FP2 tube sleeve shall be used where necessary to protect CTS flexible tube in piping systems. Tube support shall be zinc-plated, 18-gauge metal and rust resistant.

INSTALLATION

Secure plate to sub floor using all four holes provided. Insert flexible CTS tube through sleeve to provide protective, rigid support when tube penetrates and exits the sub floor.

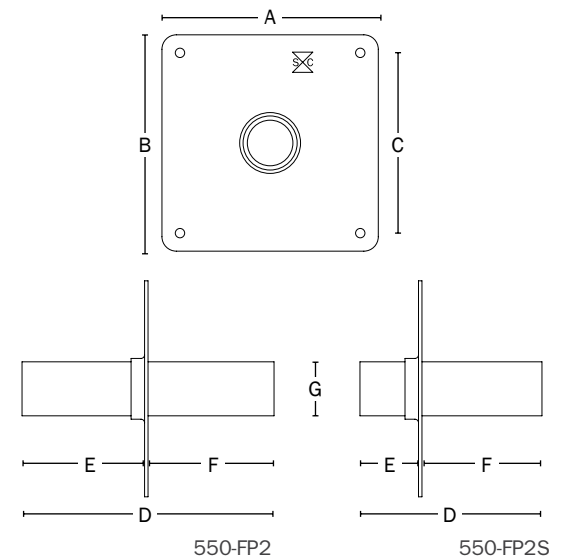
MATERIALS

18-ga. zinc-plated steel

DIMENSIONS

	550-FP2	550-FP2S
A: Plate width	3"	3"
B: Plate height	3"	3"
C: Nailways	2.5" O.C.	2.5" O.C.
D: Overall tube length	3.5"	2.3"
E: Tube length 1	1.75"	0.8"
F: Tube length 2	1.75"	1.5"
G: Tube inner diameter	0.63"	0.63"

ITEM # SUBMITTED	_____
JOB NAME	_____
LOCATION	_____
ENGINEER	_____
CONTRACTOR	_____
PO#	_____ TAG _____



Made in China

Create Item Number

550-FPA

e.g. 550-FP2: 1/2" CTS standard tube straight floor sleeve.

CONFIGURATION A

2 = 1/2" CTS standard tube

2S = 1/2" CTS short tube