



Features

- Decked oval shape creates a graceful and spacious bathing experience.
- Molded lumbar support and armrests offer extra comfort.
- Spacious design accommodates up to two bathers.
- End drain.

Material

- Acrylic

Installation

- Drop-in

Additional Hydrotherapy Options

- Soaking Bath - 1113-0
- BubbleMassage air bath - 1112-G
- Whirlpool - 1112-0
- Whirlpool + heater - 1112-H

Recommended Products/Accessories

- K-11677 Bath Drain
- K-7166-AF Bath Drain
- K-24916 Wireless Music Kit
- K-1491 Bath/Whirlpool Pillow
- K-1601 Bath/Whirlpool Footstop
- K-7213 27" Cable Bath Drain
- K-7214 27" Cable Bath Drain
- K-7265 Clearflo Bath Drain



Codes/Standards




- CSA B45.5/IAPMO Z124
- ASTM E162
- ASTM E662
- Greenguard UL 2818 - Gold

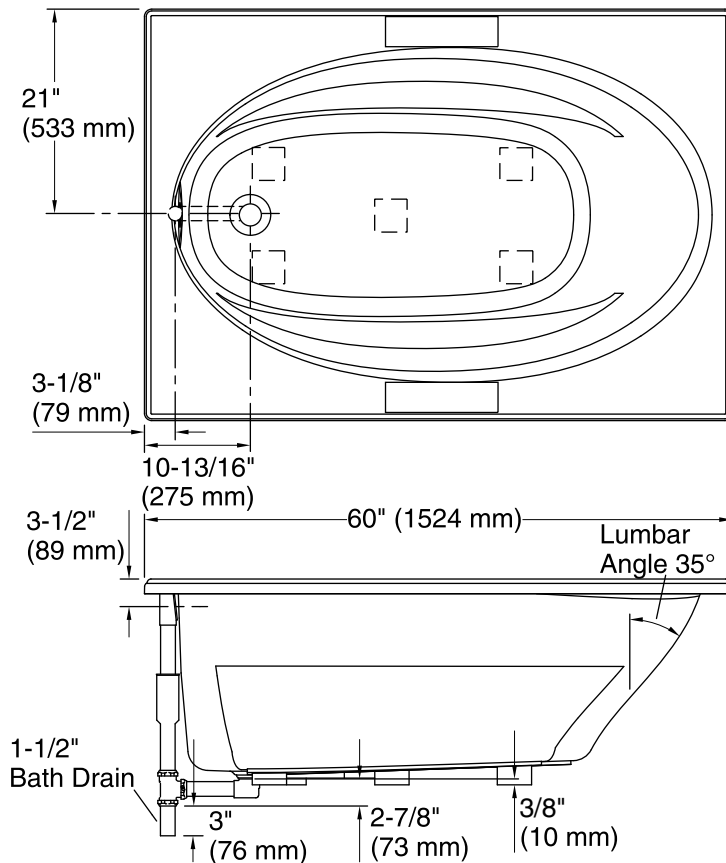
KOHLER® Plastic Baths and Receptors Lifetime Limited Warranty

See website for detailed warranty information.

Available Colors/Finishes

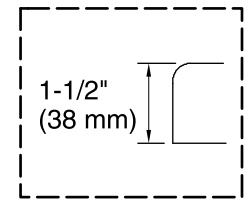
Color tiles intended for reference only.

Color	Code	Description
	0	White
	96	Biscuit
	47	Almond

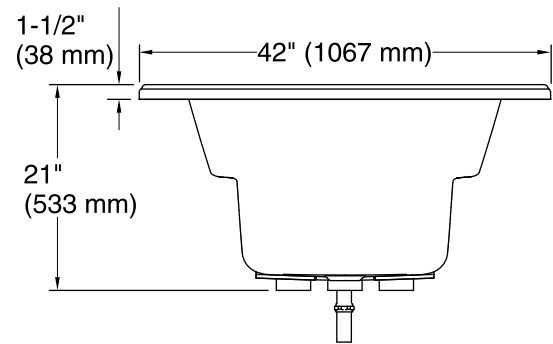


No change in measurements if connected with drain illustrated. (K-11677)

□ Recommended Faucet Location



Drop-In Rim Detail



Technical Information

All product dimensions are nominal.

Installation:	Drop-in
Drain location:	End
Basin area, bottom:	41" x 20-1/2" (1041 mm x 521 mm)
Basin area, top:	53-1/2" x 32-1/8" (1359 mm x 816 mm)
Weight:	80 lbs (36.3 kg)
Minimum floor load:	35 lbs/ft ² (170.9 kg/m ²)
Water depth:	15" (381 mm)
Water capacity:	57 gal (215.8 L)
Cutout:	Drop-in, 58-1/2" x 40-1/2" (1486 mm x 1029 mm)
Minimum flat for door:	3-1/4" (83 mm)

Notes

Measure your actual product for rough-in details. Install this product according to the installation instructions.

The hot water supply should be 70% of the capacity of the bath or greater. Installations will vary.

If installing a rim-mount faucet, make sure there is no interference above or below the deck before drilling any holes.