

Features

- Kinesis™ technology with concealed sensor allows for a clean aesthetic and provides extraordinarily accurate and reliable actuation in varying installation environments.
- Below-counter valving reduces the faucet footprint.
- Design-forward aesthetic for commercial bathroom spaces.
- 0.5 gal/min (1.9 l/min) flow rate.
- AA battery-powered; up to four-year battery life (approx. 105,000 cycles).
- On-demand usage with 30-second max. continual run cycle to prevent vandalism and save water.
- Vandal-resistant aerator.
- 18" (457 mm) stainless steel braided flexible supply hose for easy installation.
- 5-13/16" (148 mm) spout reach.
- Includes grid drain.
- Concealed mechanical mixer not included.
- Safe Drinking Water Act (low-lead) compliant.

Material

- Brass construction spout.
- Cast brass valve.

Technology

- Kinesis™ sensor technology offers on-demand detection for maximum water savings.

Installation

- Single-hole mounting.
- Includes spout assembly, grid drain, control box assembly, supply hose and standard mounting hardware.
- Includes four AA batteries.

Optional Products/Accessories

K-99799 Thermostatic Tempering Valve
K-13478-A Escutcheon Plate
K-13478-B Escutcheon Plate
K-13479-A Escutcheon Plate
K-13479-B Escutcheon Plate

Included Components

Additional Components:
K-7129-A Drain



ADA CSA B651 OBC

Codes/Standards

ASME A112.18.1/CSA B125.1
NSF/ANSI 61
NSF/ANSI 372
All applicable US Federal and State material regulations
DOE - Energy Policy Act 1992
California Energy Commission (CEC)
ADA
ICC/ANSI A117.1
CSA B651
OBC

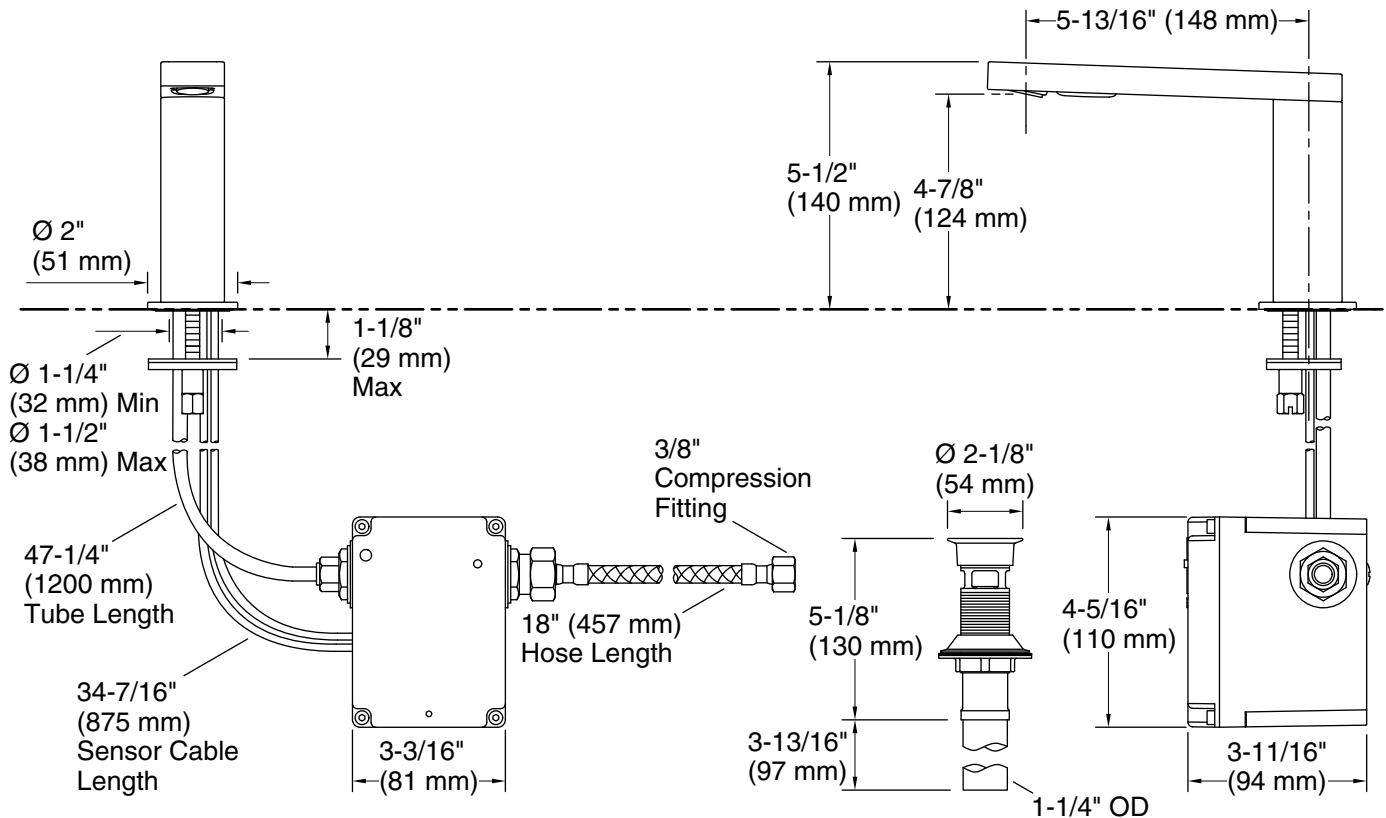
KOHLER® One-Year Limited Warranty

See website for detailed warranty information.

Available Colors/Finishes

Color tiles intended for reference only.

Color	Code	Description
	CP	Polished Chrome



Technical Information

All product dimensions are nominal.

Faucet:

Flow rate:	0.5 gal/min (1.9 l/min)
Pressure:	60 psi (4.1 bar)
Valve body:	Cast brass
Drain included:	Yes

Spout:

Spout reach:	$5\text{-}13/16''$ (147 mm)
--------------	-----------------------------

Notes

Install this product according to the installation instructions.

A $1\text{-}1/4''$ (32 mm) minimum to $1\text{-}1/2''$ (38 mm) maximum diameter mounting hole is required. The minimum distance between the back of the faucet spout and the wall must be $1\text{-}3/4''$ (44 mm). This will allow proper clearance for setscrew access.

The maximum distance between the bathroom sink basin edge to the base of the faucet spout must be $1\text{-}3/4''$ (44 mm).

ADA, OBC, CSA B651 compliant when installed to the specific requirements of these regulations.