

Features

- 36-inch minimum base cabinet width.
- Single bowl.
- 9" (229 mm) depth provides generous workspace.
- Three faucet holes.
- Rear drain maximizes flat basin surface and storage space under the counter.
- SilentShield® sound-absorption technology offers quieter performance.
- Includes installation hardware and bottom sink rack.

Material

- Handcrafted from 18-gauge stainless steel.
- Premium 18-gauge stainless steel.

Installation

- Top-mount or undermount.

Recommended Products/Accessories

- K-6644 Sink rack for Vault™ and Strive® kitchen sinks
- K-8801 Sink Strainer
- K-8799 Sink Strainer
- K-23726 Drain treatment
- K-23729 Stainless steel cleaner

Optional Products/Accessories

- K-6429 Utility Rack
- K-6667 Wood Cutting Board
- 1177161 Installation Clip Kit
- K-11352 Disposal Flange with Stopper

Included Components

Product consists of:

- K-6644 Sink rack for Vault™ and Strive® kitchen sinks
- 1130570 Hardware Kit, Self-Rimming

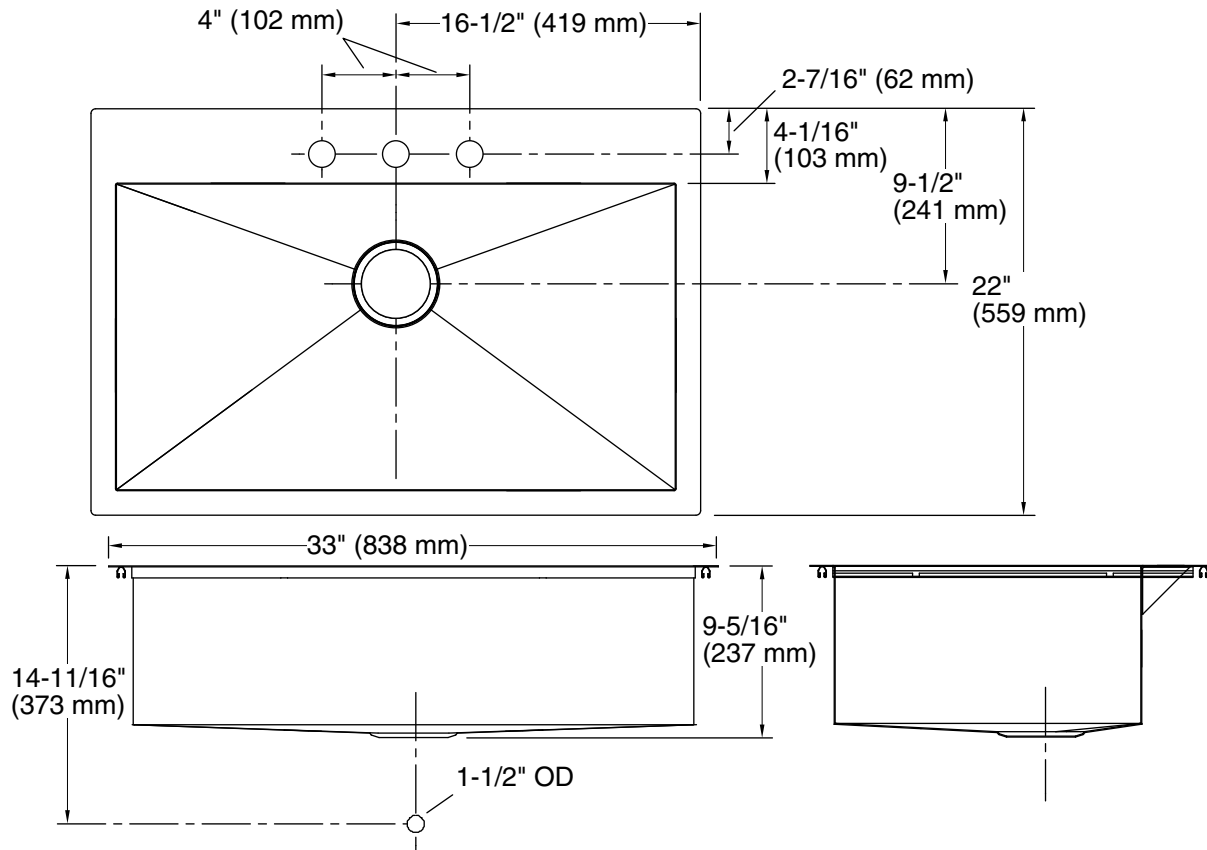


Codes/Standards

ASME A112.19.3/CSA B45.4

Lifetime Limited Warranty for KOHLER® Stainless Steel Sinks

See website for detailed warranty information.



Technical Information

All product dimensions are nominal.

Bowl configuration:	Single
Installation:	Top-mount, Under-mount
Min. base cabinet width:	36" (914 mm)
Bowl area (Only):	Length: 30-1/4" (768 mm) Width: 16-9/16" (421 mm) Water depth: 9" (229 mm)
Number of deck holes:	3
Faucet hole(s):	1-7/16" (37 mm)
Drain hole:	3-7/8" (98 mm)
Template:	1130821-7, required, included

Notes

Install this product according to the installation instructions.

Allow 3/4" (19 mm) clearance beyond the back of the bowl for the wood cutting board (optional accessory).